

PRODUCT SELECTION TABLE

MODEL	OUTPUT VOLTAGE	MAXIMUM OUTPUT CURRENT
SIP 90 – 0.1W	<25 – 90V	0 to 1 mA
SIP 100 – 1W	<25 – 100V	0 to 10 mA

PRODUCT DESCRIPTION

Ideal for APD biasing and MEMS driver applications, the SIP Series provides high performance in an ultra-thin, miniature single in-line package. Designed for low cost, high quantity applications, these DC to DC converters deliver high stability with very low ripple. The output voltage is programmable via a 0 to 5 volt analog voltage. The output voltage is inversely related to the programming voltage, i.e. applying 5 volts to the programming sets the output voltage to the minimum level. Conversely, 0 volts on the programming sets the output voltage to the maximum level. The supply is linearly programmable through this range*2. An enable/disable function is included. Applying a TTL Low (open collector compatible) disables the output voltage to less than 10 volts.

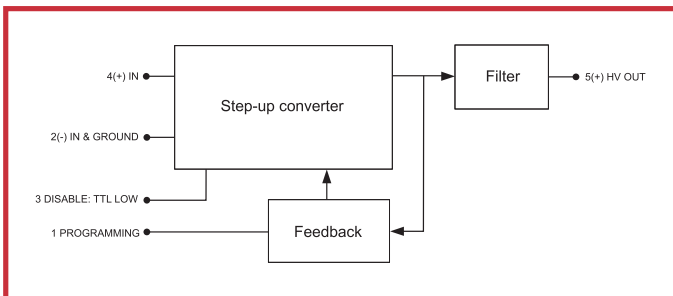
FEATURES

- Low Ripple
- Well Regulated
- Analog Programming Voltage
- Ultra-Thin, 0.16 inches (4mm)
- High Performance Low Cost
- MTBF: >2.03 million hours per Bellcore TR-332
- Packaging: Epoxy Coated
- RoHS Compliant

APPLICATIONS

- Photomultiplier Tubes
- Mass Spectrometers
- Avalanche Photodiode
- Microchannel Plates
- Piezo Materials
- Igniters
- Capacitor Charging

BLOCK DIAGRAM



ELECTRICAL SPECIFICATIONS*2 (25 to 100VDC)

MODEL	SIP90	SIP100
Output Voltage	<25 to 90VDC	<25 to 100VDC
Max Output Current ¹	0 to 1mA	0 to 10mA
Ripple P-P	<5mV	<10mV
Input Voltage	3 to 6.7VDC	4 to 6.7VDC
Input Current [No load]	<125mA	<75mA
Input Current [Full load]	<150mA	<350mA
Line Regulation	0.05%	0.20%
Load Regulation	0.03%	0.10%
Programming Voltage	See Below	
Programming Accuracy	91 +/-1	—
Frequency	2MHz +/- 5%	
Stability	< 0.01%/hr [1hr warm up]	
Tempco	<100ppm / deg C	
Operating Temperature	-20 to +70C ^{°3} (Case)	
Storage Temperature	-20 to +105C	

VOLTAGE PROGRAMMING

$$\text{SIP90 Programming Voltage} = \frac{91 - V_{out}}{14.1}$$

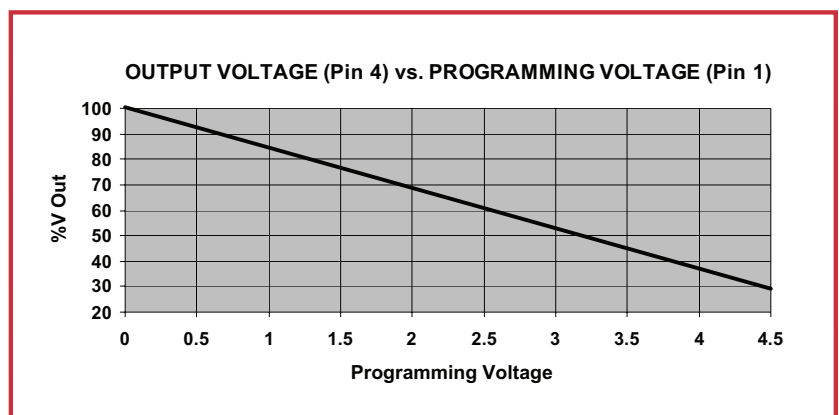
$$\text{SIP100 Programming Voltage} = \frac{100 - V_{out}}{15.8}$$

Ripple Measurements:

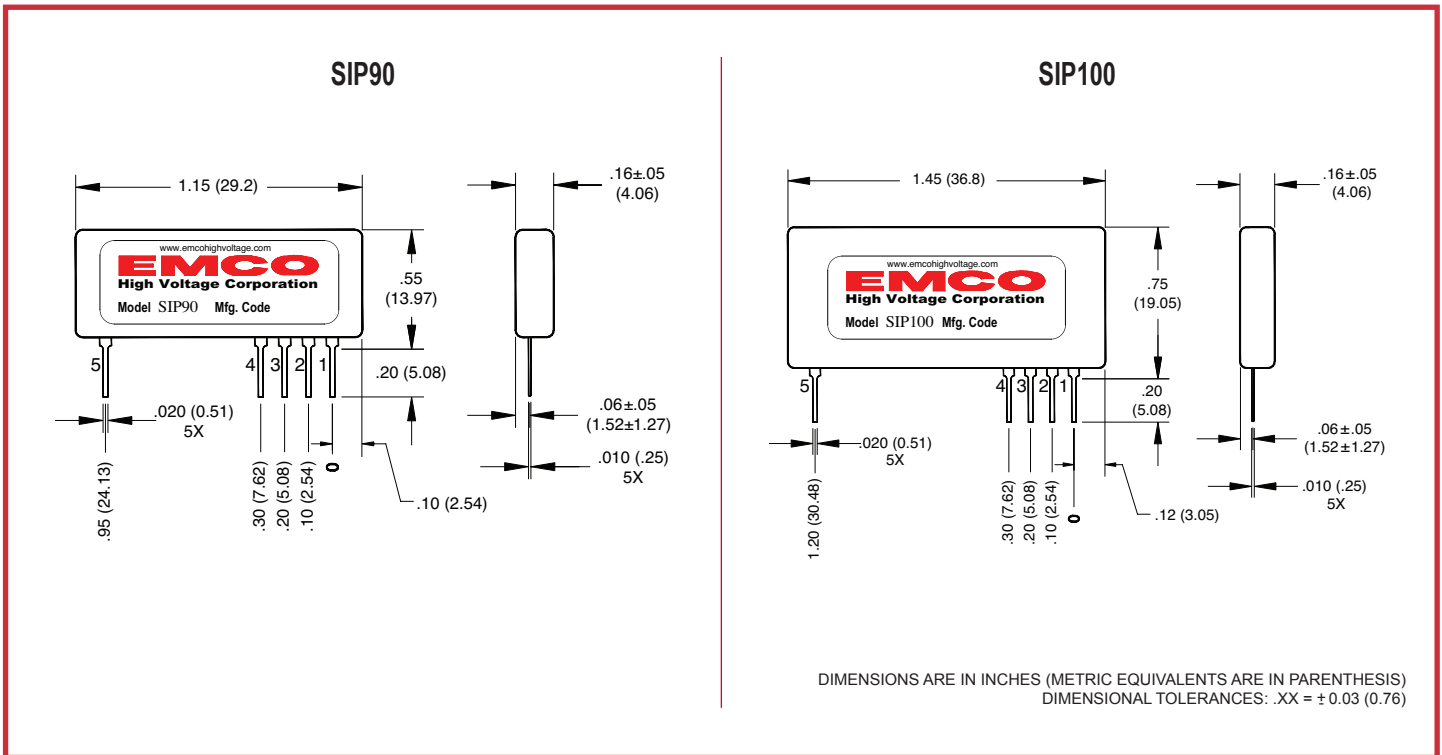
1. Ripple specified at maximum output power
2. Set scope bandwidth limit to 20MHz

Programming pin (#1):

1. Pin should be left open for min Vout.
2. Pin must be grounded for max Vout.
3. Pin Can be modeled in the following way:
(Please refer to the programming voltage chart)



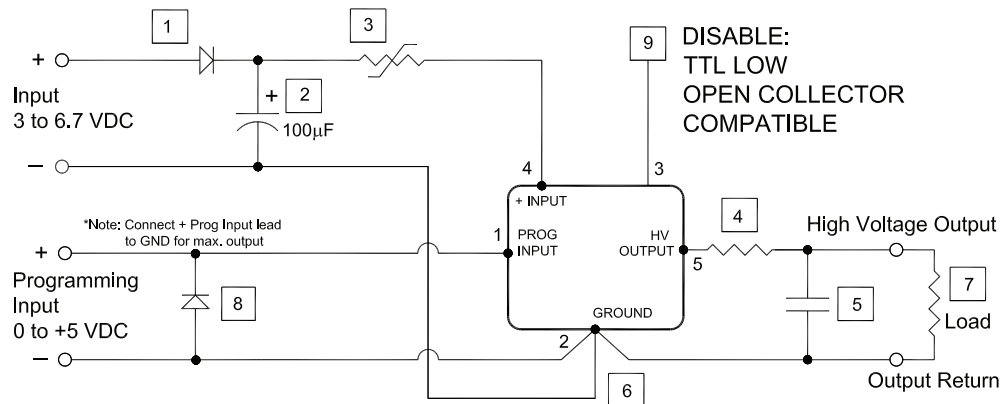
MECHANICAL SPECIFICATIONS SIP



PARAMETER	VALUE	
	SIP 90	SIP 100
WEIGHT	<0.2 OZ (5 GRAMS)	<0.25 OZ (7.1 GRAMS)
VOLUME	0.101 CUBIC INCHES (1,656 CUBIC MILLIMETERS)	0.174 CUBIC INCHES (2,850 CUBIC MILLIMETERS)
DIMENSIONS	1.15 x 0.55 x 0.16 (29.2 x 13.97 x 4.06)	1.45 x 0.75 x 0.16 (36.83 x 19.05 x 4.06)

PIN #	FUNCTION
1	PROGRAMMING INPUT
2	GROUND
3	DISABLE: TTL, LOW, OPEN COLLECTOR COMPATIBLE
4	SUPPLY VOLTAGE
5	OUTPUT VOLTAGE

APPLICATION NOTES



- 1 Diode provides reverse polarity protection.
- 2 Capacitor reduces ripple.
- 3 Resettable fuse provides indefinite short circuit protection.
- 4 Series resistance increases arc protection and reduces ripple (when used with an output capacitor).
- 5 Capacitor reduces ripple.
- 6 **IMPORTANT:** Keep Input, Programming and Output return paths separate to eliminate ground loop accuracy errors.
- 7 Conformal coating recommended on all exposed high voltage conductors.
- 8 Diode provides protection against negative programming voltage or negative transient spike.
9. **DISABLE:** TTL low open collector compatible.
ON/OFF CONTROL: ON = 5 Volts or N.C.
OFF = 0 Volts

*Notes:

1. At Maximum Rated Output Voltage.
2. Specifications after 1 hour warm-up, full load, at 25°C unless otherwise indicated.
3. Proper thermal management techniques are required to maintain safe case temperature at maximum power output.

XP EMCO reserves the right to make changes on products and literature, including specifications, without notice. XP EMCO standard product models are not recommended for "copy-exact" applications or any other application restricting product changes. "Copy-exact" options are available. Please contact an XP EMCO sales representative for more details.