

Shock-Safe Fuseholder, 5 x 20 mm, horizontal, Slotted Cap/Fingerrip, SMD, IEC 60335-1



Slotted cap

Fingerrip

250 VAC · 2.5 W/10 A (VDE) · 400 V · 16 A (UL/CSA)



### Description

- Surface Mount Device with stabilizing Posts
- Glow wire tests acc. to IEC 60695-2-12 and -13
- Cap is available slotted or with fingerrip

### Standards

- IEC 60127-6
- UL 4248-1
- CSA 22.2 no. 4248-1

### Approvals

- VDE Certificate Number: 129098
- UL File Number: E39328

### Applications

- Industrial electronic
- Household appliances
- Medical equipment

### References

[Packaging Details](#)

### Weblinks

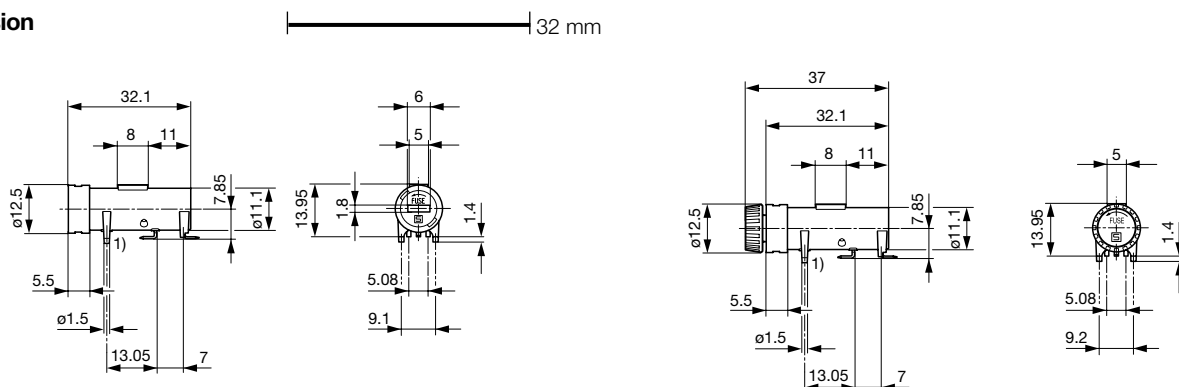
[pdf-datasheet](#), [html-datasheet](#), [General Product Information](#), [Approvals](#), [CE declaration of conformity](#), [RoHS](#), [CHINA-RoHS](#), [REACH](#), [e-Shop](#), [SCHURTER-Stock-Check](#), [Distributor-Stock-Check](#), [Detailed request for product](#)

### Technical Data

Shock-Safe Category	PC2
Fuse-Link	5 x 20 mm
Mounting	PCB
Terminal	Solder SMT
Rated Voltage	250 VAC, 400 V (UL/CSA)
Rated current	10 A (VDE), 16 A (UL/CSA)
Rated Power Acceptance IEC	2.5 W / 10 A @ Ta 23 °C Admissible power acceptance at higher ambient temperature see derating curves
Degree of Protection	IP 40
Protection Class	Suitable for appliances with protection class I acc. to IEC 61140
Admissible Ambient Air Temp.	-40 °C to 85 °C
Climatic Category	40/085/21 acc. to IEC 60068-1
Material: Socket	Thermoplastic, black, UL 94V-0
Material: Terminals	Tin-Plated Copper Alloy
Unit Weight	4.4 g
Storage Conditions	0 °C to 60 °C, max. 70% r.h.
Product Marking	Type, Rated voltage, Power Acc./Current Rating, Approvals

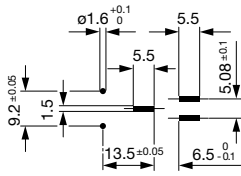
Soldering Methods	Reflow (lead-free) <a href="#">Soldering Profile</a>
Solderability	260 °C / max. 30 sec acc. to JEDEC J-STD-020D
Contact Resistance	< 5 mΩ at 20 mV
Dielectric Strength	> 3 kV (50 Hz; 1 min)
Impulse Withstand Voltage	> 2.5 kV between L-N
Insulation Resistance	> 10 MΩ between L-N (500 VDC; 1 min)
Overvoltage Category	I - II acc. to IEC 60664-1
Pollution Degree	1 - 2 acc. to IEC 60664-1
Resistance to Vibration	acc. to IEC 60068-2-6, test Fc

### Dimension



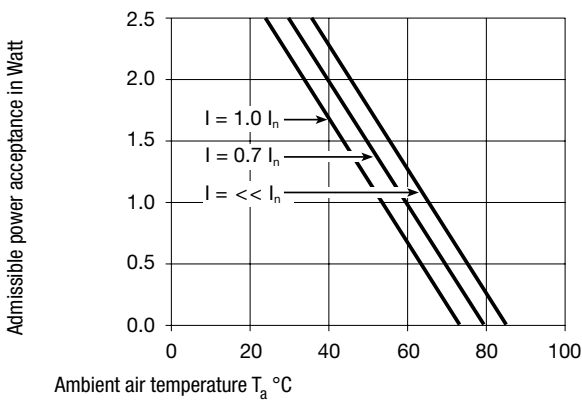
Variant 3101.0071  
1) Stabilizing posts

Variant 3101.0076  
1) Stabilizing posts



Soldering pads and mounting holes

Derating Curves



All Variants

Holder	Cap	Material	Reflow Condition	Remark	Order Number
●	slotted	Spec. Thermoplastic	acc. to JEDEC J-STD-020D, $T_p=260 \pm 0/-5$ °C, $t_p = \max. 30$ s	-	3101.0071
●	Fingergrip	Spec. Thermoplastic	acc. to JEDEC J-STD-020D, $T_p=260 \pm 0/-5$ °C, $t_p = \max. 30$ s	-	3101.0076

Availability for all products can be searched real-time: <http://www.schurter.com/en/Stock-Check/Stock-Check-SCHURTER>

Spec. thermoplastic meets the new requirements of IEC 60335-1 for appliances in unattended use (clause 30.2.3). This standard includes the enhanced requirements of glow wire tests acc. to IEC 60695-2-12 and -13.

Packaging Unit	xxxx.xxxx	Bulk 186 x 91 x 91 mm (100 pcs.)
	xxxx.xxxx.D2	Blister Tape 38 cm Reel (250 pcs.)