



30 dB Fixed Attenuator, N Male To N Female Black Anodized Aluminum Heatsink Body Rated To 100 Watts Up To 4 GHz

TECHNICAL DATA SHEET PE7421-30

Configuration

Design	Fixed, Bidirectional Attenuator
Connector 1	N Male
Connector 2	N Female
Body Material and Plating	Black Anodized Aluminum Heatsink

Electrical Specifications * Values at 25°C, sea level

Description	Minimum	Typical	Maximum	Units
Frequency Range	DC		4	GHz
Impedance		50		Ohms
Attenuation Value		30		dB
Input Power			100	Watts
VSWR			1.2:1	

Mechanical Specifications

Width	3 in [76.2 mm]
-------	----------------

Connectors

Description	Connector 1	Connector 2
Type	N Male	N Female
Contact Material and Plating	Beryllium Copper, Gold	Beryllium Copper, Gold
Outer Conductor Material and Plating		Passivated Stainless Steel
Coupling Nut Material and Plating	Passivated Stainless Steel	
Body Material and Plating	Passivated Stainless Steel	Passivated Stainless Steel

Compliance Certifications (visit www.Pasternack.com for current document)

RoHS Compliant

Plotted and Other Data

Notes:

- Values at 25 °C, sea level
- Power Derating (-20 C to +125 C): 100 W to 2.5 W

Click the following link (or enter part number in "SEARCH" on website) to obtain additional part information including price, inventory and certifications: [30 dB Fixed Attenuator, N Male To N Female Black Anodized Aluminum Heatsink Body Rated To 100 Watts Up To 4 GHz PE7421-30](#)

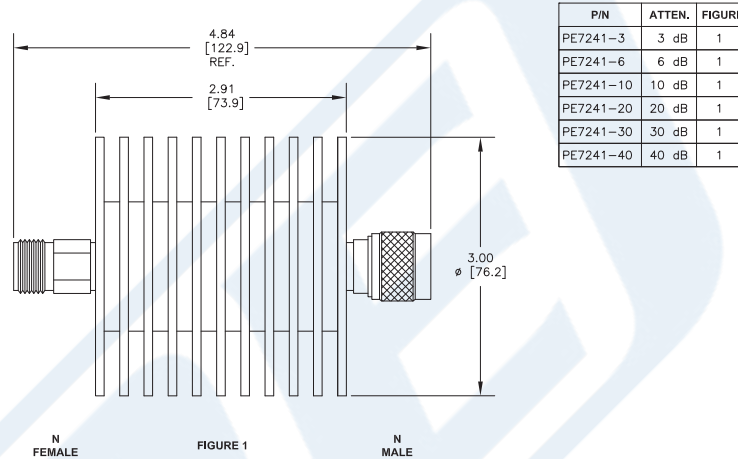




30 dB Fixed Attenuator, N Male To N Female Black Anodized Aluminum Heatsink Body Rated To 100 Watts Up To 4 GHz

TECHNICAL DATA SHEET PE7421-30

Outline Drawing



30 dB Fixed Attenuator, N Male To N Female Black Anodized Aluminum Heatsink Body Rated To 100 Watts Up To 4 GHz from Pasternack Enterprises has same day shipment for domestic and International orders. Our RF, microwave and millimeter wave products maintain a 99% availability and are part of the broadest selection in the industry.

Click the following link (or enter part number in "SEARCH" on website) to obtain additional part information including price, inventory and certifications: [30 dB Fixed Attenuator, N Male To N Female Black Anodized Aluminum Heatsink Body Rated To 100 Watts Up To 4 GHz PE7421-30](http://www.pasternack.com/30db-fixed-n-male-n-female-100-watts-attenuator-pe7421-30)

URL: <http://www.pasternack.com/30db-fixed-n-male-n-female-100-watts-attenuator-pe7421-30.aspx>

