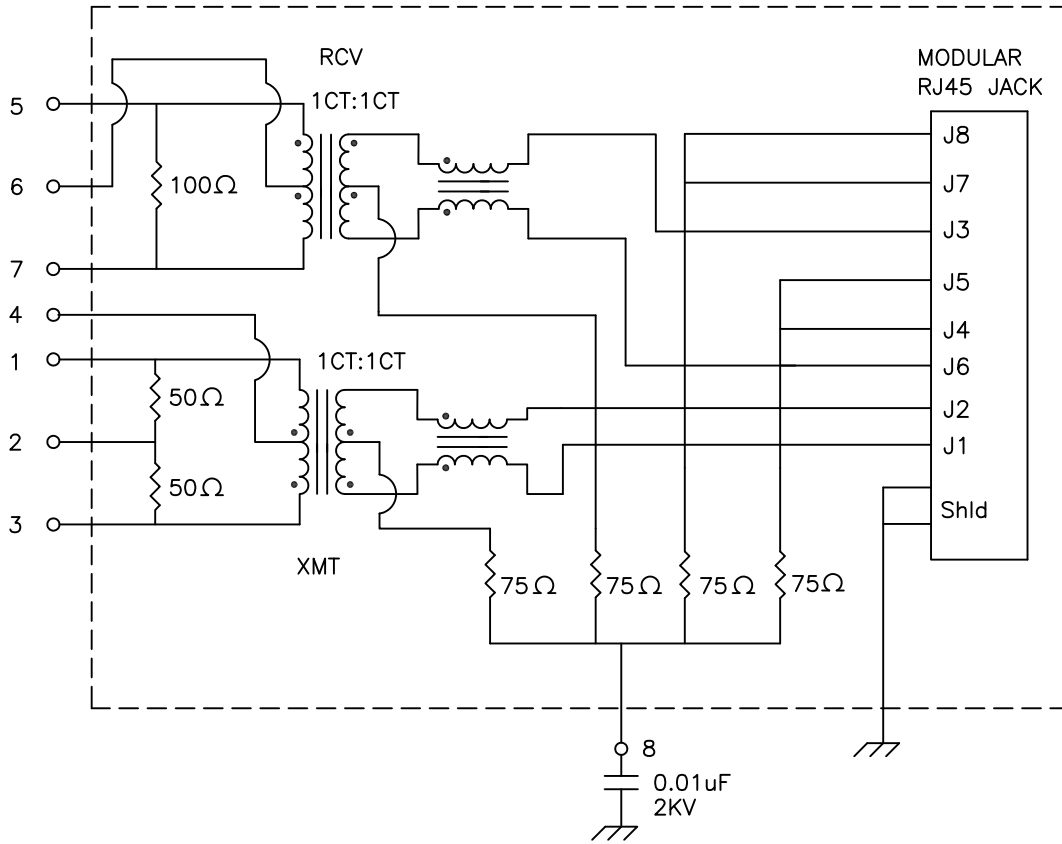


Schematic:



Electrical Specifications: @25°C

- HIPOT: 1500 Vrms (INPUT/OUTPUT)
- HIPOT: 500 Vrms (P5+6+7 to P1+2+3+4)
- Turns Ratio: 1CT : 1CT ±3% (RCV)
- Turns Ratio: 1CT : 1CT ±3% (XMT)
- CABLE SIDE OCL: 350uH Minimum @100KHz 100mV 8mADC
- Cw/w: 27pF Typical @100KHz 100mV

Notes:

1. Solderability: Leads shall meet MIL-STD-202G, Method 208H for solderability.
2. Flammability: UL94V-0
3. ASTM oxygen index: > 28%
4. UL Recognized Component: File Number E165866
5. Operating Temperature Range: All listed parameters are to be within tolerance from -40°C to +85°C
6. Storage Temperature Range: -55°C to +125°C
7. Aqueous wash compatible
8. Electrical and mechanical specifications 100% tested
9. RoHS Compliant Component

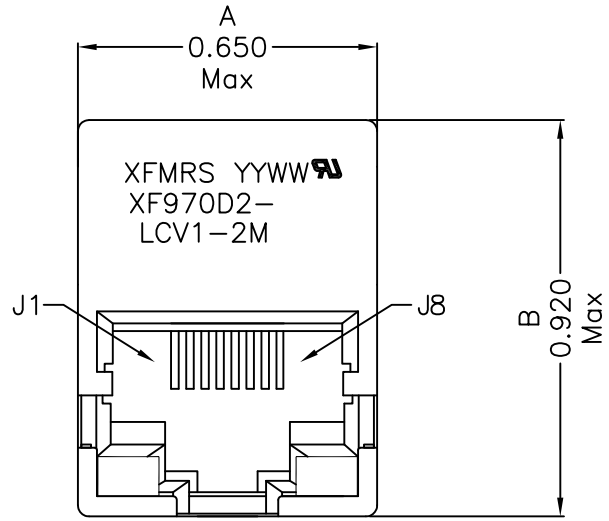
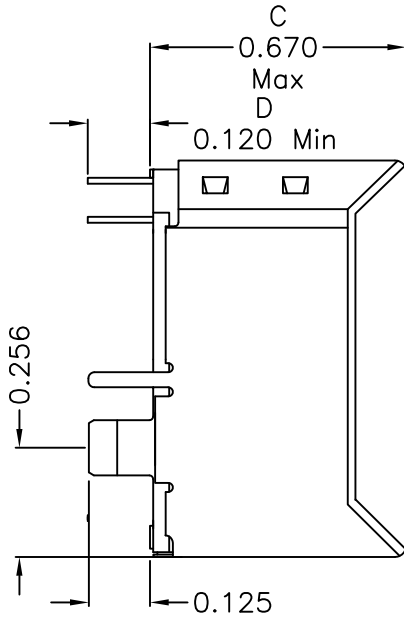
DOC. REV A/1

PROPRIETARY

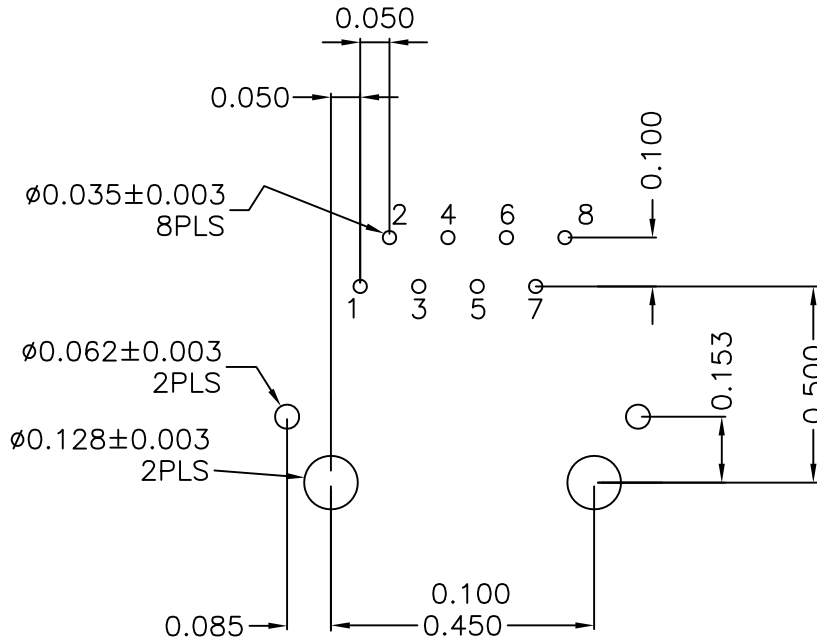
Document is the property of XFMRs Group & is not allowed to be duplicated without authorization.

XFMRs Inc.	Title: LARGE VERTICAL FOR 10/100 BASE-T COMBO		
	UNLESS OTHERWISE SPECIFIED TOLERANCES: .xxx ±0.010 Dimensions in Inch	P/N: XF970D2-LCV1-2M	REV. A
SHEET 1 OF 2	DWN.	Yuan	Feb-28-14
	CHK.	YK Liao	Feb-28-14
	APP.	BW	Feb-28-14

Mechanical Dimensions:



Mounting Pattern:



P.C.B RECOMMENDED HOLE LAYOUT

DOC REV: A/1

PROPRIETARY

Document is the property of XFMRS Group & is not allowed to be duplicated without authorization.

XFMRS Inc. www.XFMRS.com		Title: Mechanical Dimensions For LCV1-2M Series	
UNLESS OTHERWISE SPECIFIED TOLERANCES: .xxx ±0.005 Dimensions in Inch		P/N: XF970D2-LCV1-2M	REV. A
DWN.	Yuan	Feb-28-14	
CHK.	YK Liao	Feb-28-14	
SHEET 2 OF 2	APP.	BW	Feb-28-14