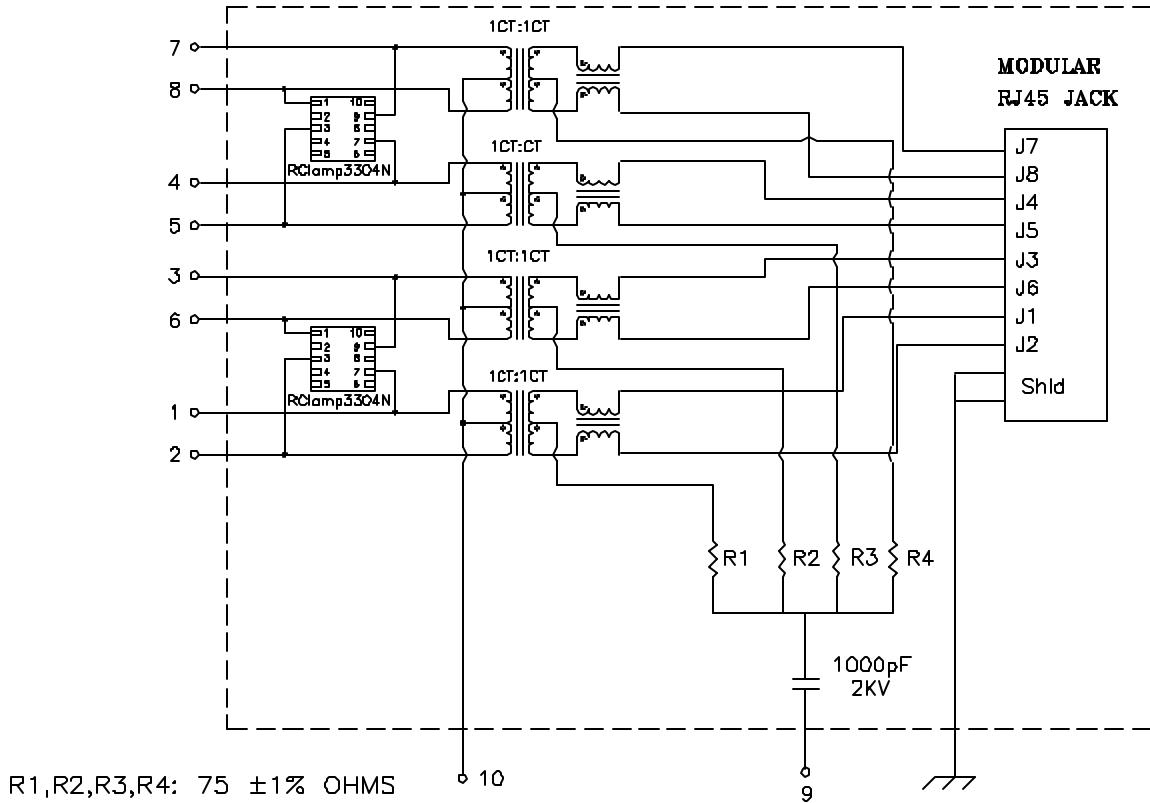


Schematic: (SINGLE PORT)



Electrical Specifications: @25°C

ISOLATION: 1500 Vrms
 TURNS RATIO: (PRI/SEC) 1CT:1CT ±2%
 OCL: 350uH MIN @100KHz 100mV 8mA DC
 Rise Time: 1.75ns Max.
 INSERTION LOSS: -1.0dB MAX @1MHz-100MHz
 -1.5dB MAX @100-125MHz
 RETURN LOSS: -18dB Min @1-30MHz
 -15dB Min @40MHz -13.1dB Min @50MHz
 -12dB Min @60-80MHz -10dB Min @100MHz
 Differential to Common Mode Rejection:
 -43dB Min @30MHz -37dB Min @80MHz
 -33dB Min @100MHz
 CMRR: -30dB Min @1-100MHz
 Crosstalk: -45dB Min @30MHz
 -40dB Min @60MHz -35dB Min @100MHz

Notes:

1. Solderability: Leads shall meet MIL-STD-202G, Method 208H for solderability.
2. Flammability: UL94V-0
3. ASTM oxygen index > 28%
4. Insulation System: Class F 155°C, UL file E151556
5. Operating Temperature Range: All listed parameters are to be within tolerance from -40°C to +85°C
6. Storage Temperature Range: -55°C to +125°C
7. Aqueous wash compatible
8. Electrical and mechanical specifications 100% tested
9. RoHS Compliant Component
10. Designed to meet GR10B9 Intra-Building Standards

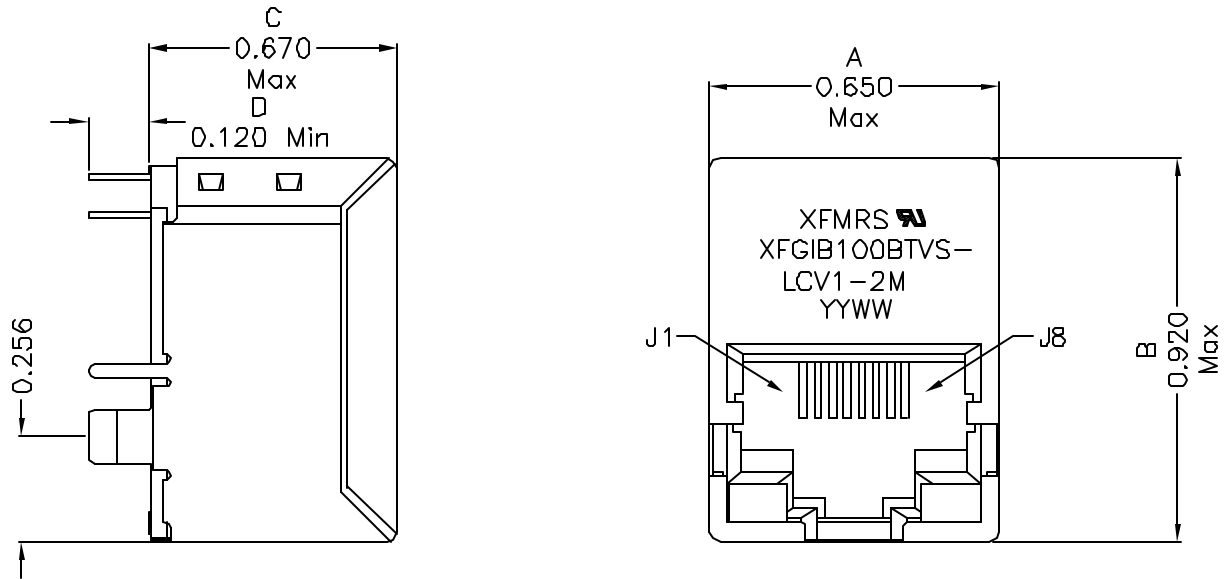
DOC REV.: A/3

XFMRS Inc. www.XFMRS.com	Title: SINGLE PORT LED COMBO		
	UNLESS OTHERWISE SPECIFIED TOLERANCES: .xxx ±0.010 Dimensions in Inch	P/N: XFGIB100BTVS-LCV1-2M	REV. A
SHEET 1 OF 2	DWN.	Juan Mao	Feb-08-07
	CHK.	YK Liao	Feb-08-07
	APP.	MS	Feb-08-07

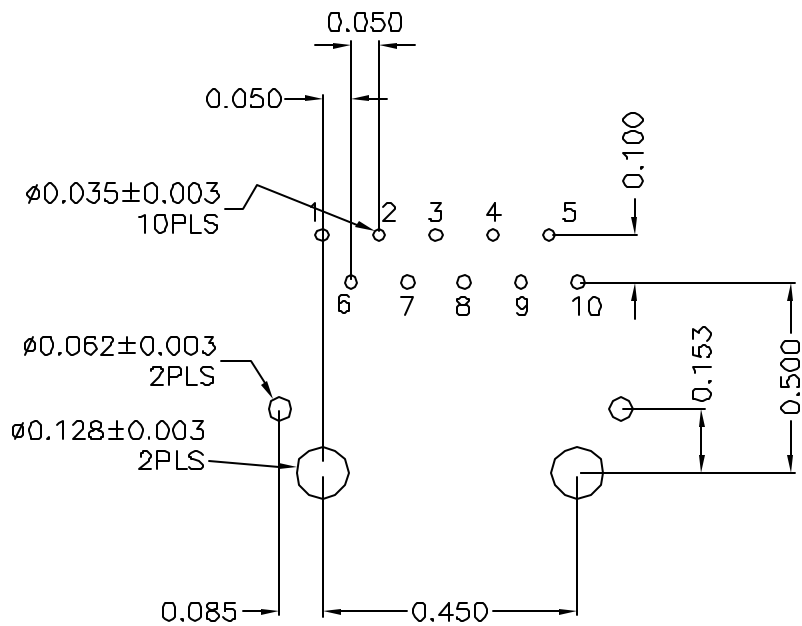
PROPRIETARY:

Document is the property of XFMRS Group & is not allowed to be duplicated without authorization.

Mechanical Dimensions:



Mounting Pattern:



P.C.B RECOMMENDED HOLE LAYOUT

DOC REV: A/3

PROPRIETARY

Document is the property of XFMRS Group & is not allowed to be duplicated without authorization.

XFMRS Inc. www.XFMRS.com		Title: Mechanical Dimensions For LCV1-2M Series	
UNLESS OTHERWISE SPECIFIED TOLERANCES: .xxx ±0.010 Dimensions in Inch		P/N:XFGIB100BTVS-LCV1-2M	REV. A
DWN.	Juan Mao	Feb-08-07	
CHK.	YK Liao	Feb-08-07	
SHEET 2 OF 2	APP.	MS	Feb-08-07