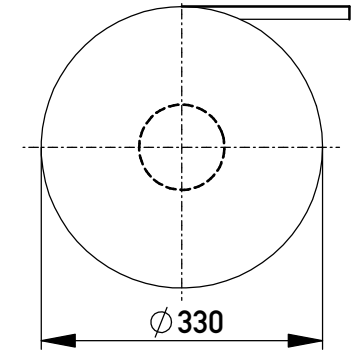
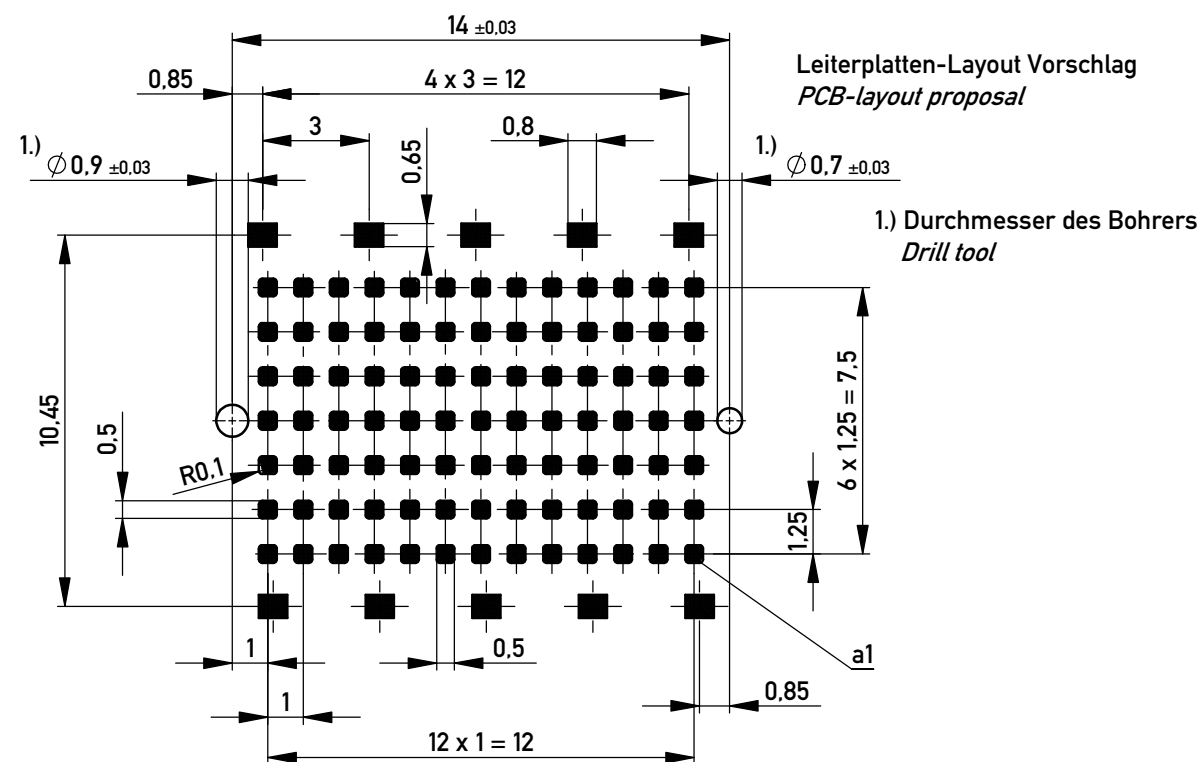
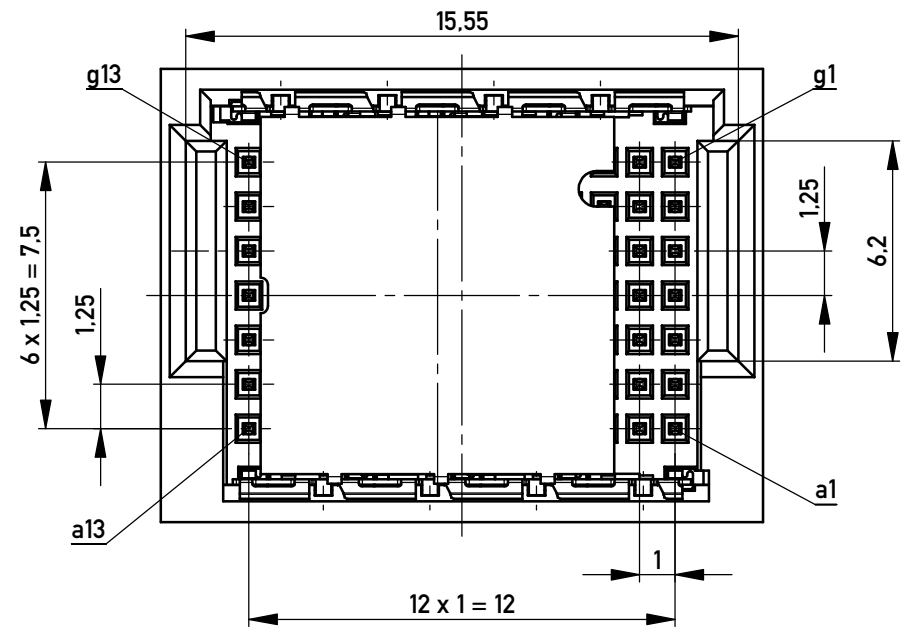
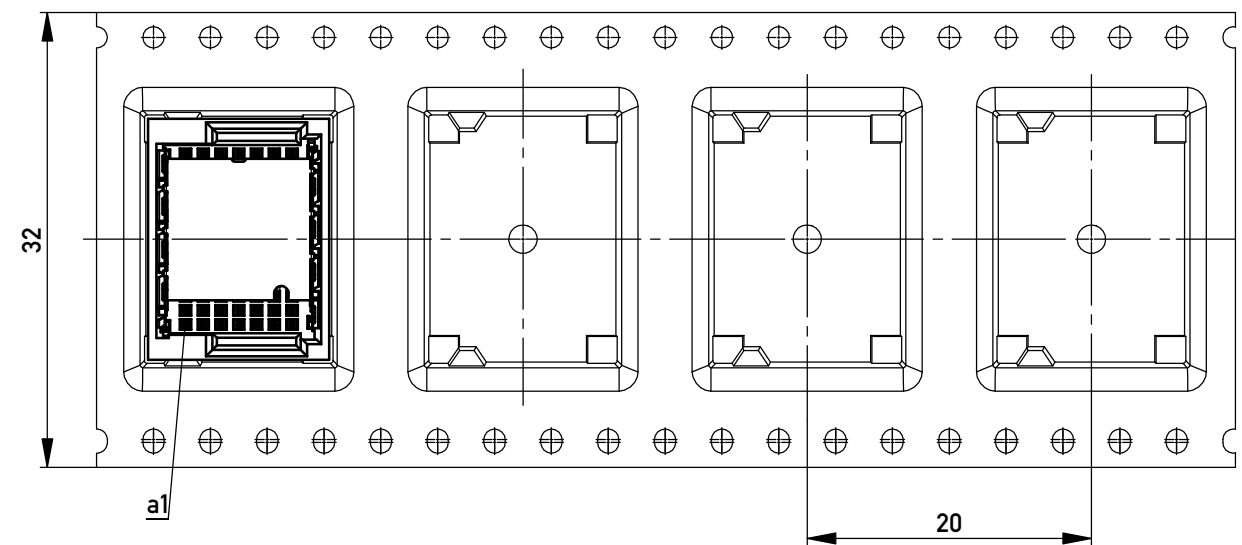


Verpackt in Gurtverpackung  
Tape on Reel Packaging  
Verpackungseinheit: 320 Stück  
Packaging unit: 320 pcs



Abspulrichtung - Reel off Direction



Leiterplatten-Layout Vorschlag  
PCB-layout proposal

1.) Durchmesser des Bohrers  
Drill tool

Anforderungsstufe 1  
Performance Level 1

Kontaktbereich vergoldet  
Mating Area gold plating

Anschlussbereich verzinnt 4-6 µm  
Terminal Area 4-6 µm tin plating

Koplanarität der Anschlüsse ≤ 0.1 mm  
Coplanarity Area of Termination ≤ 0.1 mm

Information:	Tolerances	 All Dimensions in mm	Scale	5:1
			Designation	
All rights reserved. Only for Information. To ensure that this is the latest version of this drawing, please contact one of the ERNI companies before using.		 www.ERNI.com	<b>100101930001</b>	
b	04.09.2012		Class	MSPEED

Copyright by ERNI GmbH  
Proprietary notice pursuant to ISO 16016 to be observed.