

SMD POWER INDUCTORS

MODEL NO. : SDT-1204P SERIES (CDRH124B COMPATIBLE)

FEATURES:

- * SUPERIOR QUALITY FOR AN AUTOMATED PRODUCTION LINE.
- * PICK AND PLACE COMPATIBLE.
- * TAPE AND REEL PACKING.

APPLICATION :

- * NOTEBOOK COMPUTERS. * PDA. *ROGIC IC POWER SUPPLY

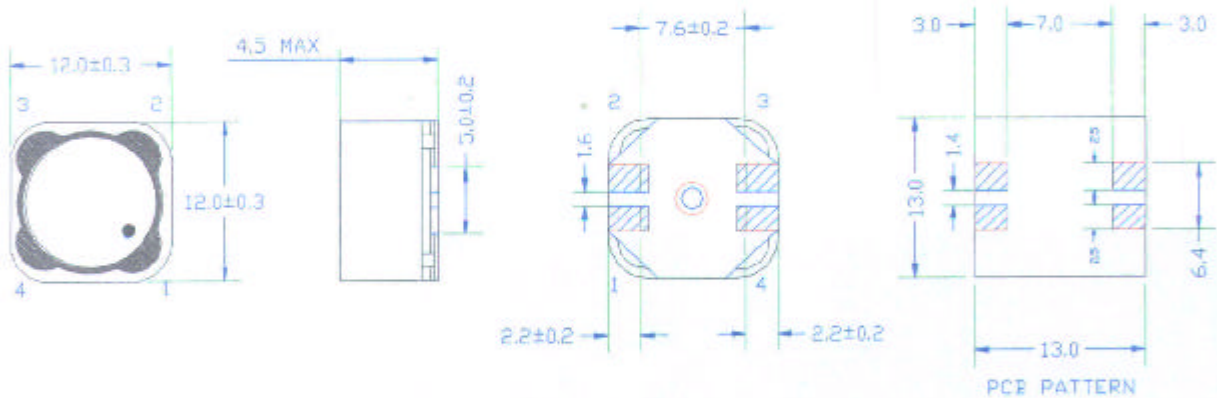


ELECTRICAL SPECIFICATION:

MODEL NO	INDUCTANCE ($\mu\text{H} \pm 30\%$) PRI	TURN RATIO PRI : SEC	RATED CURRENT (ADC)		DCR MAX (Ω)	
			PRI	SEC	PRI	SEC
SDT-1204P-9R0-121	9.0	1:2.1	3.6	0.20	0.040	0.45

NOTE(1):TEST FREQUENCY: 1 kHz,1 VRMS.

PHYSICAL DIMENSION(UNIT : mm)



TEST CIRCUIT :

