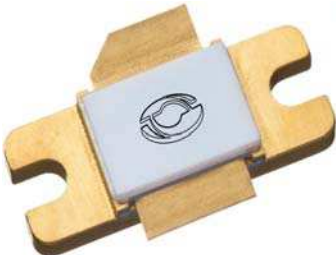


1214GN-500

500 Watts - 60 Volts, 300 μ s, 10%
L-Band Radar 1200 - 1400 MHz

<p>GENERAL DESCRIPTION</p> <p>The 1214GN-500 is an internally matched, COMMON SOURCE, class AB, GaN on SiC HEMT transistor capable of providing over 18dB gain, 500 Watts of pulsed RF output power at 300μs pulse width, 10% duty factor across the 1200 to 1400 MHz band.</p> <p>Market Application – 1214GN-500 is designed for L-Band Pulsed Radar</p>	<p>CASE OUTLINE 55-KR Common Source</p> 
<p>ABSOLUTE MAXIMUM RATINGS</p> <p>Maximum Power Dissipation Device Dissipation @ 25°C 1000 W</p> <p>Maximum Voltage and Current Drain-Source Voltage (V_{DSS}) 150 V Gate-Source Voltage (V_{GS}) -8 to +0 V</p> <p>Maximum Temperatures Storage Temperature (T_{STG}) -55 to +125° C Operating Junction Temperature +250 °C</p>	

ELECTRICAL CHARACTERISTICS @ 25°C

Symbol	Characteristics	Test Conditions	Min	Typ	Max	Units
Pout	Output Power	Pout=500W, Freq=1200,1300,1400 MHz	500	550		W
Gp	Power Gain	Pout=500W, Freq=1200,1300,1400 MHz	17	18.5		dB
η_d	Drain Efficiency	Pout=500W, Freq=1200,1300,1400 MHz	48	55		%
Dr	Droop	Pout=500W, Freq=1200,1300,1400 MHz			1.0	dB
VSWR-T	Load Mismatch Tolerance	Pout=500W, Freq= 1300MHz			3:1	
θ_{jc}	Thermal Resistance	Pulse Width=300uS, Duty=10%			0.16	°C/W

- Bias Condition: Vdd=+60V, Idq=100mA average current (Vgs= -2.0 ~ -4.5V typical)
-

FUNCTIONAL CHARACTERISTICS @ 25°C

$I_{D(Off)}$	Drain leakage current	$V_{gs} = -8V, V_D = 65V$			10	mA
$I_{G(Off)}$	Gate leakage current	$V_{gs} = -8V, V_D = 0V$			8	mA
BV_{DSS}	Drain-source breakdown voltage	$V_{gs} = -8V, I_D = 10mA$	250			V

Export Classification: EAR-99

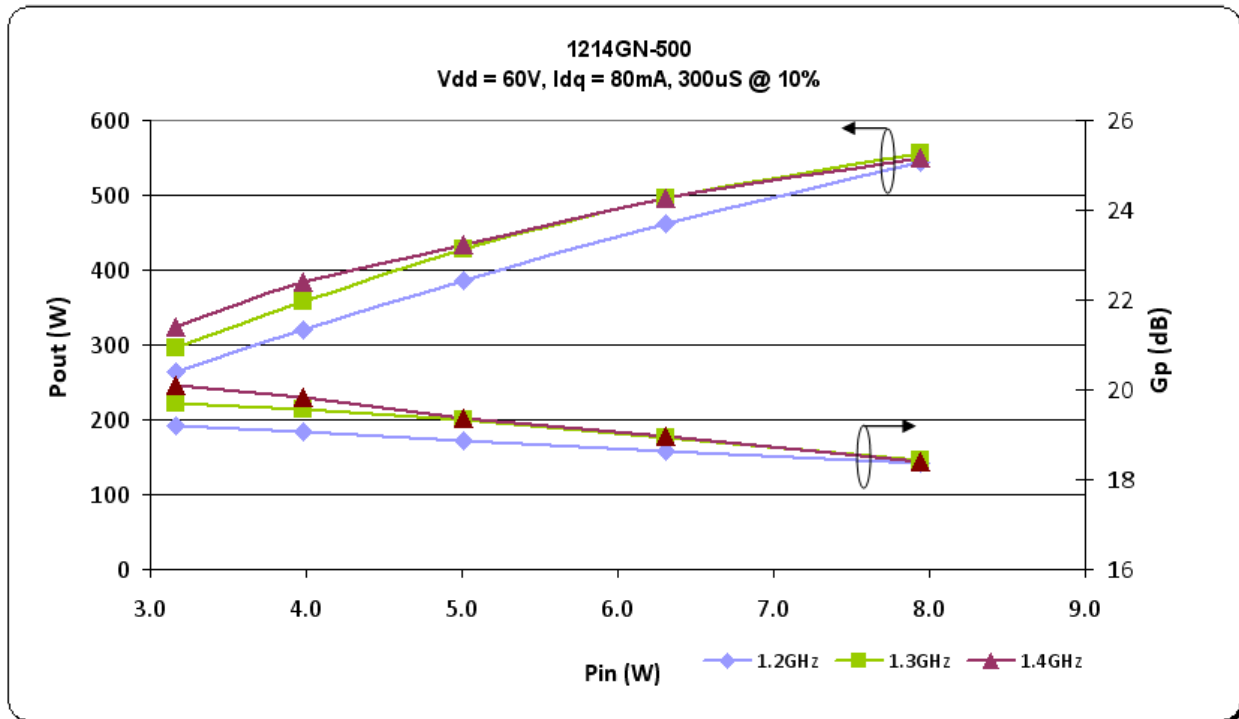
For the most current data, consult MICROSEMI's website: www.MICROSEMI.com
Specifications are subject to change, consult the RFIS factory at (408) 986-8031 for the latest information

1214GN-500

500 Watts - 60 Volts, 300 μ s, 10%
L-Band Radar 1200 - 1400 MHz

TYPICAL BROAD BAND PERFORMANCE DATA

Frequency	Pin (W)	Pout (W)	Id (A)	RL (dB)	Nd (%)	G (dB)	Drop (dB)
1200 MHz	8	544	1.86	-16	52	18.36	0.6
1300 MHz	8	556	1.76	-13	55	18.45	0.5
1400 MHz	8	550	1.58	-13	61	18.4	0.4

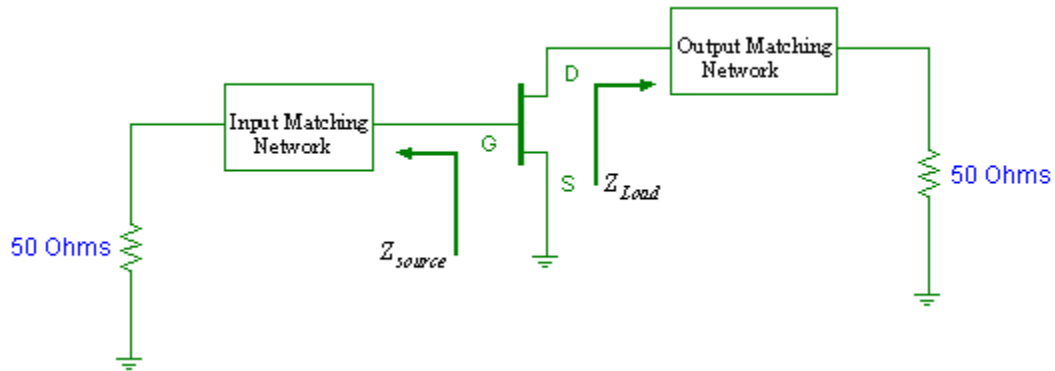


For the most current data, consult MICROSEMI's website: www.MICROSEMI.com
Specifications are subject to change, consult the RFIS factory at (408) 986-8031 for the latest information

1214GN-500

500 Watts - 60 Volts, 300 μ s, 10%
L-Band Radar 1200 - 1400MHz

TRANSISTOR IMPEDANCE INFORMATION

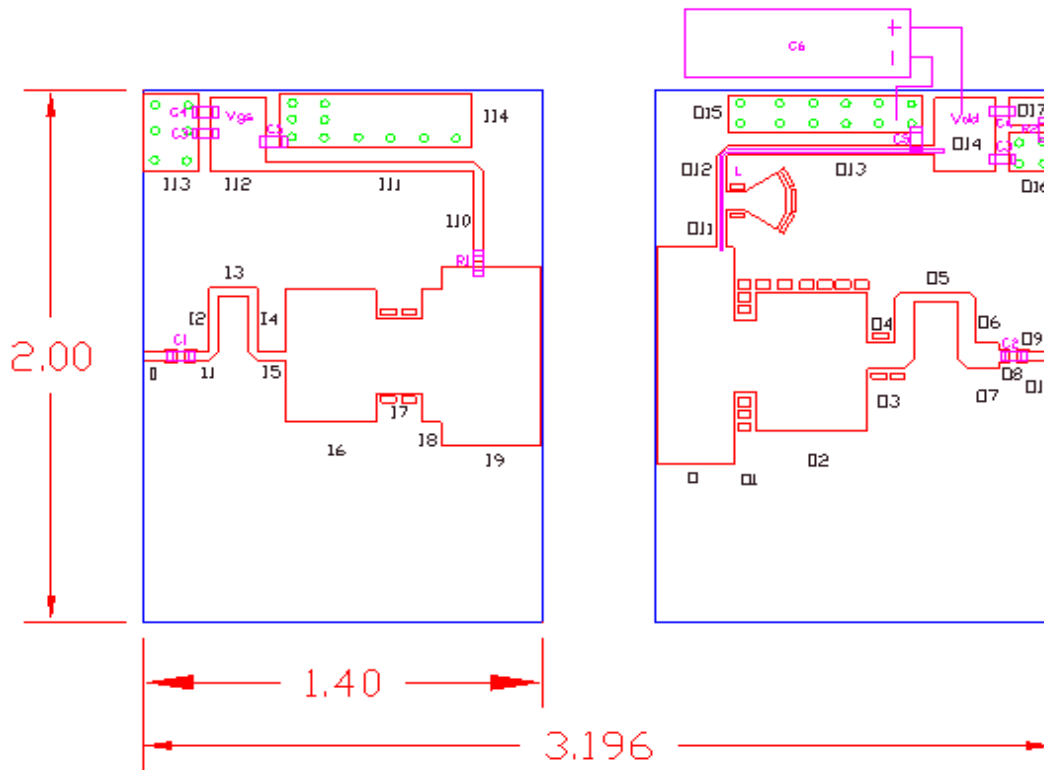


Note: Z_{source} is looking into the input circuit;
 Z_{Load} is looking into the output circuit.

Impedance Data		
Freq (GHz)	Zs	Zl
1.2	1.17 - j 1.16	2.08 - j 2.14
1.3	1.20 - j .91	2.07 - j 1.67
1.4	1.26 - j .15	2.04 - j 1.18

For the most current data, consult MICROSEMI's website: www.MICROSEMI.com
Specifications are subject to change, consult the RFIS factory at (408) 986-8031 for the latest information

TEST CIRCUIT DIAGRAM

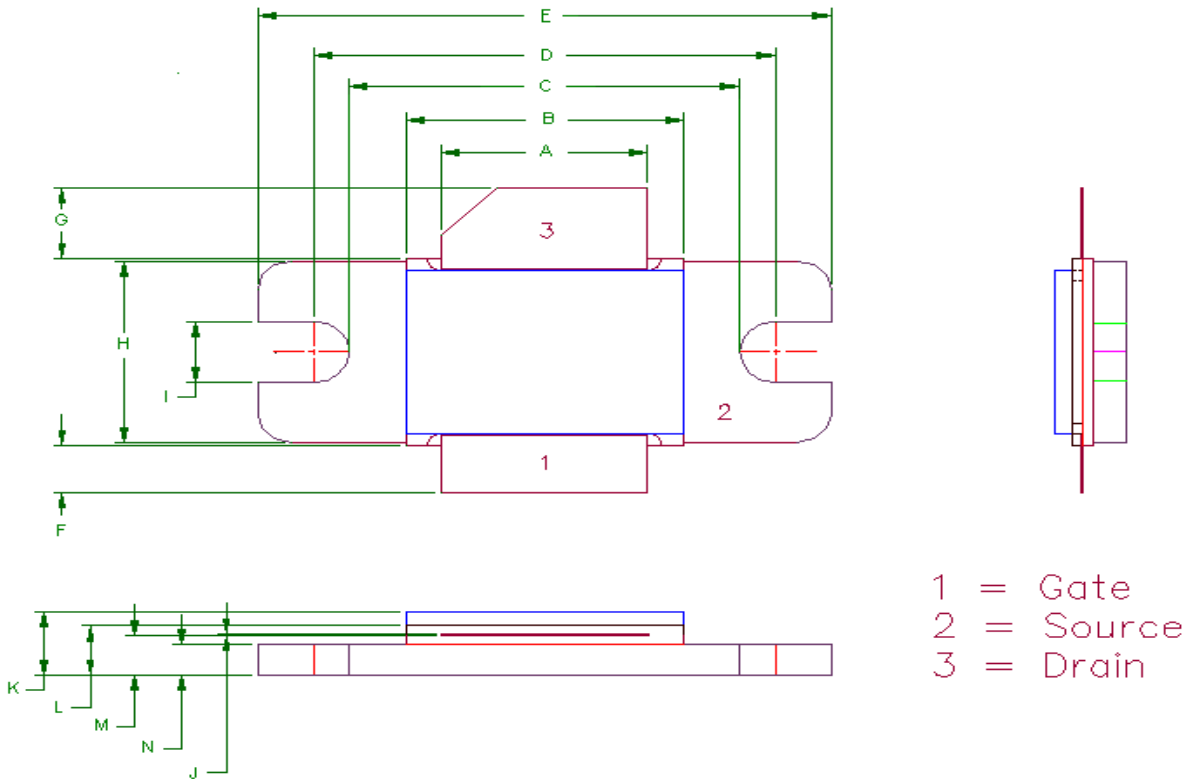


Board Material: Roger Duriod 6006 @ 25 Mil Thickness, Er=6.15

Component List				Input Physical Circuit Layout			Output Physical Circuit Layout		
Item	Description		Value	Item	W (mil)	L (mil)	Item	W (mil)	L (mil)
C1	Chip Cap A size	ATC800A1010JT250XT	100pF	I1	35	116	O1	820	270
C2	Chip Cap A size	ATC800A680JT250XT	68pF	I11	35	84	O11	270	80
C3	Chip Cap B size	ATC200B103KW50XT	10,000pF	I2	35	230	O2	520	390
C4	Chip Cap B size	ATC100B102102KW50XT	1000pF	I3	35	100	O3	95	95
C5	Chip Cap B size	ATC100B101FW1000XT	100pF	I4	35	230	O4	70	160
C6	Electrolytic Cap (63V)	ANY	4700uF	I5	35	100	O5	35	150
R1	Chip Resistor size 0805	ANY	20.5 ohms	I6	500	315	O6	70	160
R2	Chip Resistor size 0805	ANY	2 ohm	I7	280	160	O7	95	80
L	RF Choke 20 AWG Copper wire			I8	500	70	O8	47	40
	L=1350 mil solder on top of the output choke			I9	670	350	O9	47	40
				I10	35	355	O10	35	85
				I11	35	745	O11	35	180
				I12	275	200	O12	35	180
				I13	280	190	O13	35	730
				I14	200	670	O14	270	200
							O15	138	680
							O16	150	150
							O17	98	150

For the most current data, consult MICROSEMI's website: www.MICROSEMI.com
Specifications are subject to change, consult the RFIS factory at (408) 986-8031 for the latest information

55-KR PACKAGE DIMENSION



Dimension	Min (mil)	Min (mm)	Max (mil)	Max (mm)
A	370	9.40	372	9.44
B	498	12.65	500	12.7
C	700	17.78	702	17.83
D	830	21.08	832	21.13
E	1030	26.16	1032	26.21
F	101	2.56	102	2.59
G	151	3.84	152	3.86
H	385	9.78	387	9.83
I	130	3.30	132	3.35
J	003	.076	004	0.10
K	135	3.43	137	3.48
L	105	2.67	107	2.72
M	085	2.16	86	2.18
N	065	1.65	66	1.68

For the most current data, consult MICROSEMI's website: www.MICROSEMI.com
Specifications are subject to change, consult the RFIS factory at (408) 986-8031 for the latest information



1214GN-500

500 Watts - 60 Volts, 300 μ s, 10%
L-Band Radar 1200 - 1400 MHz

The information contained in the document is PROPRIETARY AND CONFIDENTIAL information of Microsemi and cannot be copied, published, uploaded, posted, transmitted, distributed or disclosed or used without the express duly signed written consent of Microsemi. If the recipient of this document has entered into a disclosure agreement with Microsemi, then the terms of such Agreement will also apply. This document and the information contained herein may not be modified, by any person other than authorized personnel of Microsemi. No license under any patent, copyright, trade secret or other intellectual property right is granted to or conferred upon you by disclosure or delivery of the information, either expressly, by implication, inducement, estoppels or otherwise. Any license under such intellectual property rights must be approved by Microsemi in writing signed by an officer of Microsemi.

Microsemi reserves the right to change the configuration, functionality and performance of its products at anytime without any notice. This product has been subject to limited testing and should not be used in conjunction with life-support or other mission-critical equipment or applications. Microsemi assumes no liability whatsoever, and Microsemi disclaims any express or implied warranty, relating to sale and/or use of Microsemi products including liability or warranties relating to fitness for a particular purpose, merchantability, or infringement of any patent, copyright or other intellectual property right. The product is subject to other terms and conditions which can be located on the Web at <http://www.microsemi.com/legal/tnc.asp>.

Revision History

Revision Level / Date	Para. Affected	Description
0.1 / 18 January 2013	-	Initial Preliminary Release

For the most current data, consult MICROSEMI's website: www.MICROSEMI.com
Specifications are subject to change, consult the RFIS factory at [\(408\) 986-8031](tel:4089868031) for the latest information