

6

5

4

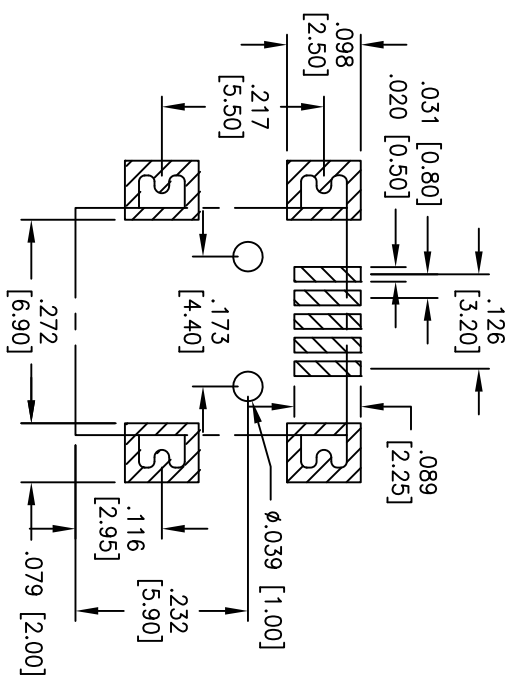
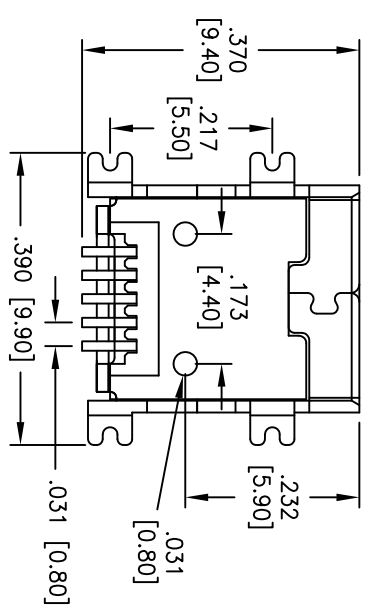
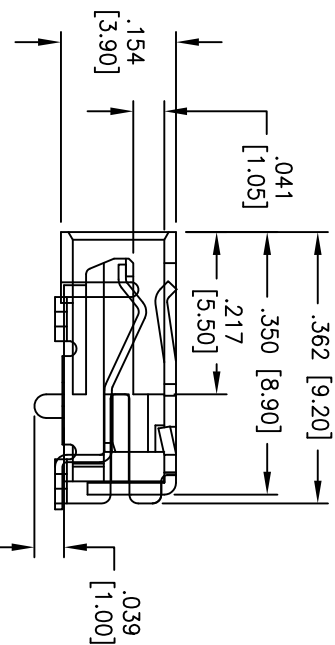
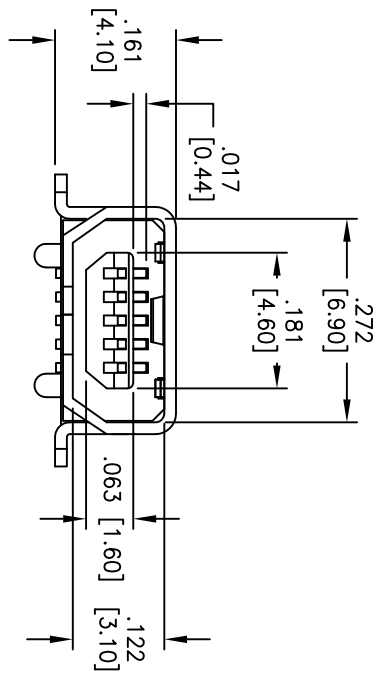
3

2

1

APPROVED: _____
 DATE: _____ TITLE: _____

Rev	AWO #	Description	Date	Appr
-		RELEASED	4/21/09	
A		REVISED DIM.	12/16/10	



RECOMMENDED PCB LAYOUT

SPECIFICATIONS:

- Material: Insulator: Hi-Temp Termoplastic, rated UL94V-0
- Insulator color: Black
- Contacts: Phosphor Bronze
- Shell: Phosphor Bronze, Nickel plated
- Plating: Gold Flash over Nickel underplate overall
- Electrical: Current rating: 1 Amp max. Contact resistance: 30 mohms max. Insulation resistance: 1000 Mohms min. @ 500 VDC Dielectric withstanding voltage: 500 VAC for 1 minute Temperature Rating: Operating temperature: -55°C to +105°C Environmental: Lead free, RoHS compliant. Recommended soldering temp: 260°C for 5 sec.



UNLESS OTHERWISE SPECIFIED ALL DIMENSIONS ARE INCHES [MM] TOLERANCES: EXCEPT AS NOTED	
INCHES	HOLES
X .10	ØX ±.015
XX ±.020	ØXX ±.015
XXX ±.015	ØXXX ±.010
APPROVALS	DATE
DRAWN DY	4/21/09
CHECKED	
APPROVED	

ADAM TECH
 909 Rahway Avenue, Union, NJ 07083
 Phone: 908-687-5000 Fax: 908-687-5710

TITLE: MINI USB, TYPE AB, SINGLE PORT
 RIGHT ANGLE, TRUE SMT

SIZE PART NO. MUSB-AB1-S-RA-TSMT
 REF: S00126T SCALE: NTS SHEET 1 OF 1

6

5

4

3

2

1