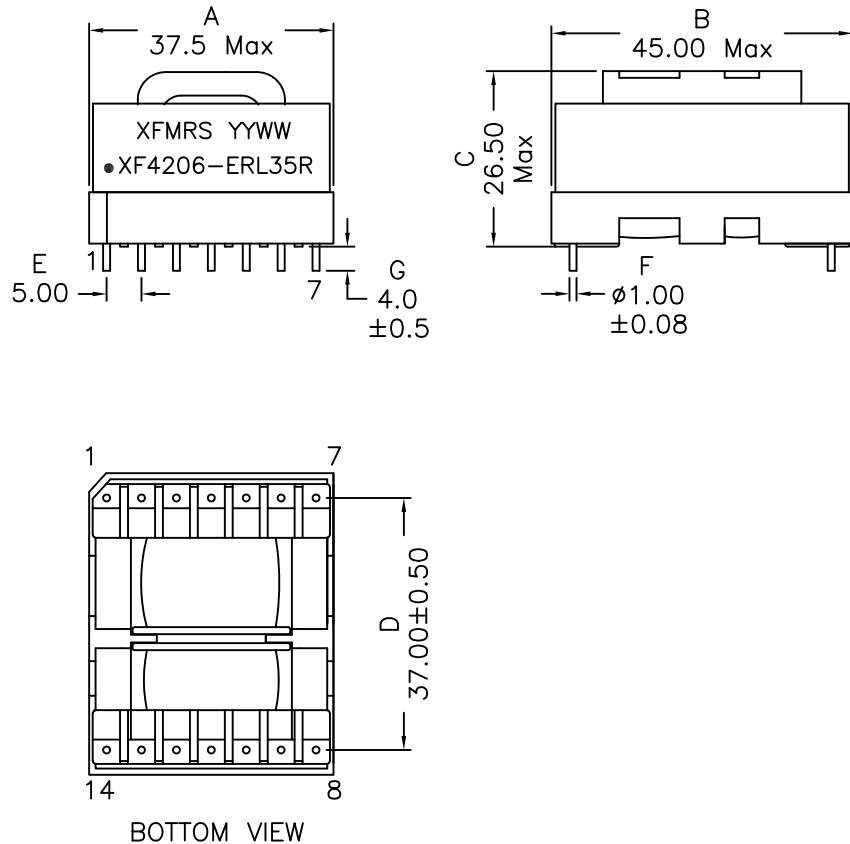
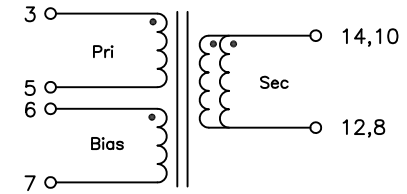


1. Mechanical Dimensions:



2. Schematic:



3. Electrical Specifications: @25°C

OCL: Pins 3-5 430uH±10% @100KHz 0.1V
 Q: Pins 3-5 350 Min @100KHz 0.1V
 Cw/w: Pins 3-14 20pF Max @100KHz, 0.1V
 LL: Pins 3-5 85uH Max @100KHz 0.1V (short Sec)
 DCR: Pins 3-5 0.070 Ohms Max
 Pins 6-7 0.060 Ohms Max
 Pins 14-12 0.006 Ohms Max
 Pins 10-8 0.006 Ohms Max
 SRF: Pins 3-5 850KHz Min
 Turns Ratio: (3-5):(6-7):(14,10-12,8)
 =1:0.156:0.125±2%
 Hipot: 4000V, Pri & Bias to Sec, Wdgs to Core

Notes:

- Solderability: Leads shall meet MIL-STD-202G, Method 208H for solderability.
- Flammability: UL94V-0
- ASTM oxygen index: > 28%
- Insulation System: Class F 130°C. UL file E151556
- Operating Temperature Range: All listed parameters are to be within tolerance from -40°C to +85°C
- Storage Temperature Range: -55°C to +125°C
- Aqueous wash compatible
- Electrical and mechanical specifications 100% tested
- RoHS Compliant Component

DOC REV: A/2

PROPRIETARY Document is the property of XFMR5 Group & is not allowed to be duplicated without authorization.

XFMR5 Inc www.XFMR5.com	Title: TRANSFORMER		
UNLESS OTHERWISE SPECIFIED	P/N: XF4206-ERL35R	REV. A	
TOLERANCES: .xxx ±0.010	DWN.	Yaun	Sep-12-14
Dimensions in inch	CHK.	YK Liao	Sep-12-14
SHEET 1 OF 1	APP.	Joe Huff	Sep-12-14