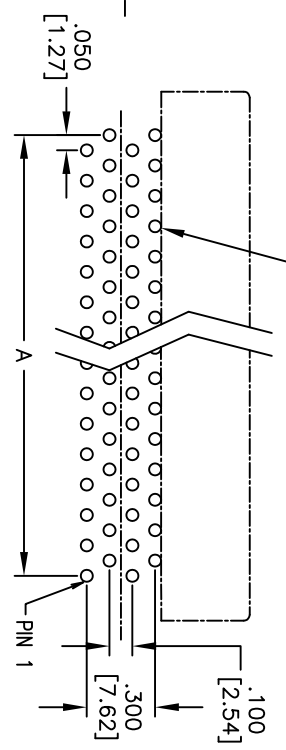
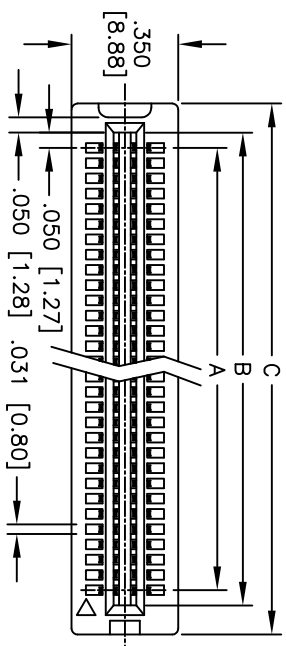
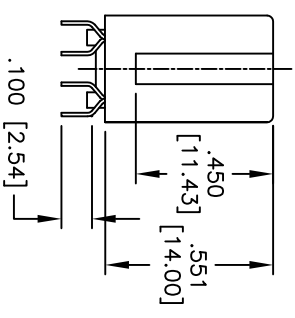
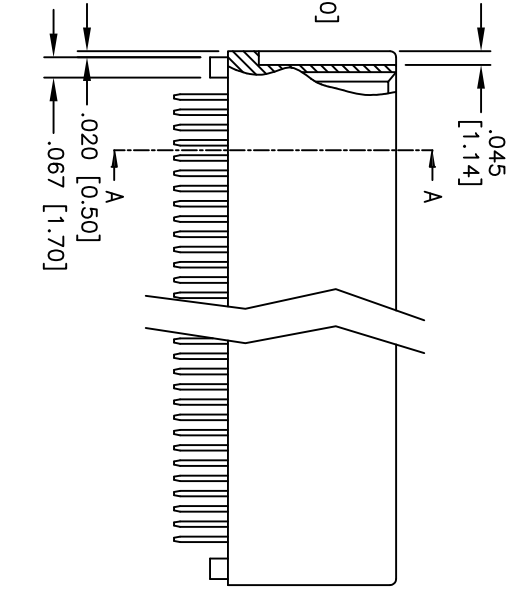
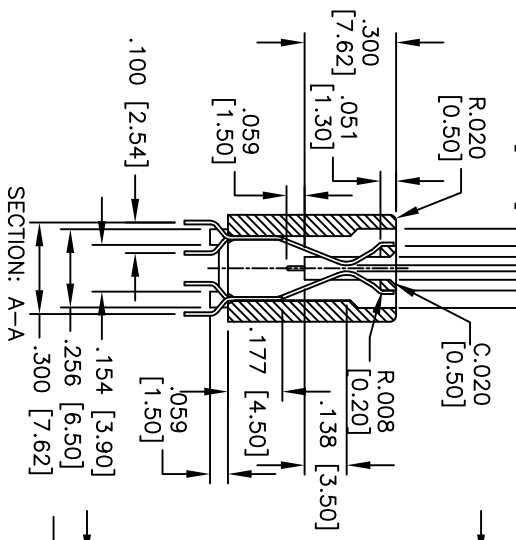


Rev	AWO #	Description	Date	Appr
-		RELEASED	11/26/10	

APPROVED: \_\_\_\_\_  
 DATE: \_\_\_\_\_ TITLE: \_\_\_\_\_



RECOMMENDED PCB LAYOUT



**SPECIFICATIONS:**  
 Material:  
 Insulator: Hi-temp PPS, rated UL 94V-0  
 Insulator color: Black  
 Contacts: Copper Alloy  
 Plating:  
 Gold flash over Nickel underplate on contact area,  
 Tin over Copper underplate on PCB tails  
 Electrical:  
 Operating voltage: 250 VAC RMS.  
 Current rating: 1 Amp.  
 Contact resistance: 30 mohms max.  
 Insulation resistance: 1000 Mohms min.  
 Dielectric withstanding voltage: 500 VAC for 1 minute  
 Temperature Rating:  
 Operating temperature: -55°C to +85°C  
 Environmental:  
 Lead free, RoHS compliant  
 Recommended soldering temp: 260°C for 5 seconds

Positions: 4, 6, 8, 10, 12, 14, 16, 18, 20, 22, 24, 26, 28, 30, 32, 34, 36, 38, 40, 42, 44, 46, 48, 50, 52, 54, 56, 58, 60, 80, 100, 120, 124, 160, 182  
 A = .050 [1.27] x No. of Spaces  
 B = A + .100 [2.54]  
 C = A + .290 [7.37]

UNLESS OTHERWISE SPECIFIED  
 ALL DIMENSIONS ARE INCHES [MM]  
 TOLERANCES: EXCEPT AS NOTED  
 INCHES: .X ± .10 ØXX ± .10  
 .XX ± .020 ØXXX ± .015  
 .XXX ± .015 ØXXXX ± .010

**ADAM TECH**  
 909 Rahway Avenue, Union, NJ 07083  
 Phone: 908-687-5000 Fax: 908-687-5710

TITLE  
 .050 [1.27] PITCH CARD EDGE, PCB TYPE

DRAWN: DY  
 CHECKED: \_\_\_\_\_  
 APPROVED: \_\_\_\_\_  
 DATE: 11/26/10  
 SIZE: X  
 PART NO.: HCE-XX-G  
 SCALE: NTS  
 SHEET 1 OF 1