

## Features

- Fully integrated PLL-stabilized VCO
- Frequency range from 380 MHz to 450 MHz
- Single-ended RF output
- FSK through crystal pulling allows modulation from DC to 40 kbit/s
- High FSK deviation possible for wideband data transmission
- ASK achieved by on/off keying of internal power amplifier up to 40 kbit/s
- Wide power supply range from 1.95 V to 5.5 V
- Very low standby current
- Microcontroller clock output
- On-chip low voltage detector
- High over-all frequency accuracy
- FSK deviation and center frequency independently adjustable
- Adjustable output power range from -12 dBm to +10 dBm
- Adjustable current consumption from 3.8 mA to 11.0 mA
- Conforms to EN 300 220 and similar standards
- 10-pin quad flat no lead (QFN) package

## Ordering Code

| Product Code | Temperature Code | Package Code | Option Code | Packing Form Code |
|--------------|------------------|--------------|-------------|-------------------|
| TH72016      | K                | LD           | CAA-000     | TU                |
| TH72016      | K                | LD           | CAA-000     | RE                |

### Legend:

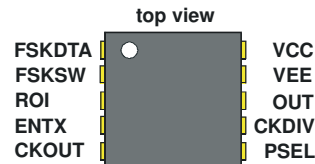
Temperature Code: K for Temperature Range -40°C to 125°C  
 Package Code: LD for QFN double  
 Packing Form: RE for Reel, TU for Tube

Ordering example TH72016KLD-CAA-000-TU

## Application Examples

- Tire Pressure Monitoring System (TPMS)
- Remote Keyless Entry (RKE)
- Automatic Meter Reading (AMR)
- Alarm and security systems
- Garage door openers
- Home and building automation
- Low-power telemetry
- Wireless access control

## Pin Description



## General Description

The TH72016 FSK/ASK transmitter IC is designed for applications in the European 433 MHz industrial-scientific-medical (ISM) band, according to the EN 300 220 telecommunications standard; but it can also be used in other countries with similar standards, e.g. FCC part 15.231.

The transmitter's carrier frequency  $f_c$  is determined by the frequency of the reference crystal  $f_{ref}$ . The integrated PLL synthesizer ensures that carrier frequencies, ranging from 380 MHz to 450 MHz, can be achieved. This is done by using a crystal with a reference frequency according to:  $f_{ref} = f_c/N$ , where  $N = 32$  is the PLL feedback divider ratio.

A clock signal with selectable frequency is provided. It can be used to drive a microcontroller.

**Document Content**

|          |                                                                                                                      |           |
|----------|----------------------------------------------------------------------------------------------------------------------|-----------|
| <b>1</b> | <b>Theory of Operation</b> .....                                                                                     | <b>3</b>  |
| 1.1      | General .....                                                                                                        | 3         |
| 1.2      | Block Diagram.....                                                                                                   | 3         |
| <b>2</b> | <b>Functional Description</b> .....                                                                                  | <b>3</b>  |
| 2.1      | Crystal Oscillator.....                                                                                              | 3         |
| 2.2      | FSK Modulation .....                                                                                                 | 4         |
| 2.3      | Crystal Pulling.....                                                                                                 | 4         |
| 2.4      | ASK Modulation .....                                                                                                 | 5         |
| 2.5      | Output Power Selection.....                                                                                          | 5         |
| 2.6      | Lock Detection .....                                                                                                 | 5         |
| 2.7      | Low Voltage Detection .....                                                                                          | 5         |
| 2.8      | Mode Control Logic.....                                                                                              | 6         |
| 2.9      | Clock Output .....                                                                                                   | 6         |
| 2.10     | Timing Diagrams.....                                                                                                 | 6         |
| <b>3</b> | <b>Pin Definition and Description</b> .....                                                                          | <b>7</b>  |
| <b>4</b> | <b>Electrical Characteristics</b> .....                                                                              | <b>8</b>  |
| 4.1      | Absolute Maximum Ratings.....                                                                                        | 8         |
| 4.2      | Normal Operating Conditions .....                                                                                    | 8         |
| 4.3      | Crystal Parameters .....                                                                                             | 8         |
| 4.4      | DC Characteristics .....                                                                                             | 9         |
| 4.5      | AC Characteristics .....                                                                                             | 10        |
| 4.6      | Output Power Steps – FSK Mode .....                                                                                  | 11        |
| 4.7      | Output Power Steps – ASK Mode .....                                                                                  | 11        |
| <b>5</b> | <b>Test Circuit</b> .....                                                                                            | <b>12</b> |
| 5.1      | Test circuit component list to Fig. 6 .....                                                                          | 12        |
| <b>6</b> | <b>Package Description</b> .....                                                                                     | <b>13</b> |
| 6.1      | Soldering Information .....                                                                                          | 13        |
| 6.2      | Recommended PCB Footprints.....                                                                                      | 13        |
| <b>7</b> | <b>Standard information regarding manufacturability of Melexis products with different soldering processes</b> ..... | <b>14</b> |
| <b>8</b> | <b>ESD Precautions</b> .....                                                                                         | <b>14</b> |
| <b>9</b> | <b>Disclaimer</b> .....                                                                                              | <b>15</b> |

## 1 Theory of Operation

### 1.1 General

As depicted in Fig.1, the TH72016 transmitter consists of a fully integrated voltage-controlled oscillator (VCO), a divide-by-32 divider (div32), a phase-frequency detector (PFD) and a charge pump (CP). An internal loop filter determines the dynamic behavior of the PLL and suppresses reference spurious signals. A Colpitts crystal oscillator (XOSC) is used as the reference oscillator of a phase-locked loop (PLL) synthesizer. The VCO's output signal feeds the power amplifier (PA). The RF signal power  $P_{out}$  can be adjusted in four steps from  $P_{out} = -12$  dBm to +10 dBm, either by changing the value of resistor RPS or by varying the voltage  $V_{PS}$  at pin PSEL. The open-collector output (OUT) can be used either to directly drive a loop antenna or to be matched to a 50Ohm load. Bandgap biasing ensures stable operation of the IC at a power supply range of 1.95 V to 5.5 V.

### 1.2 Block Diagram

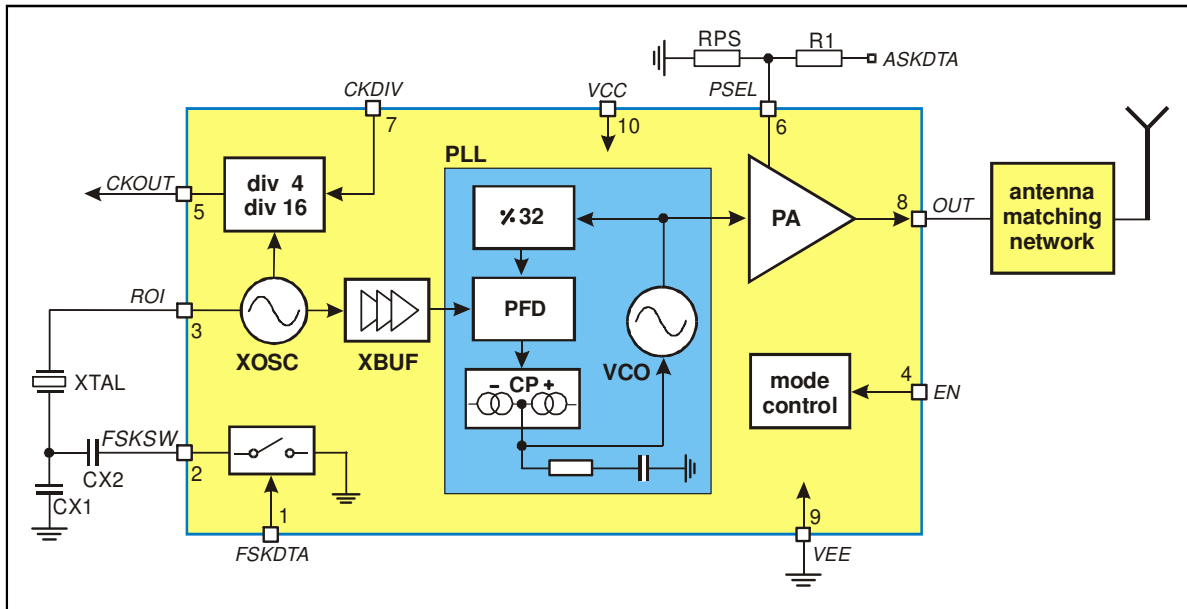


Fig. 1: Block diagram with external components

## 2 Functional Description

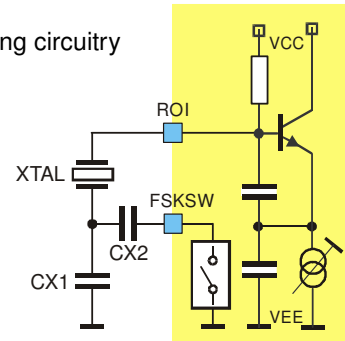
### 2.1 Crystal Oscillator

A Colpitts crystal oscillator with integrated functional capacitors is used as the reference oscillator for the PLL synthesizer. The equivalent input capacitance CRO offered by the crystal oscillator input pin ROI is about 18pF. The crystal oscillator is provided with an amplitude control loop in order to have a very stable frequency over the specified supply voltage and temperature range in combination with a short start-up time.

### 2.2 FSK Modulation

FSK modulation can be achieved by pulling the crystal oscillator frequency. A CMOS-compatible data stream applied at the pin FSKDTA digitally modulates the XOSC via an integrated NMOS switch. Two external pulling capacitors CX1 and CX2 allow the FSK deviation  $\Delta f$  and the center frequency  $f_c$  to be adjusted independently. At FSKDTA = 0, CX2 is connected in parallel to CX1 leading to the low-frequency component of the FSK spectrum ( $f_{min}$ ); while at FSKDTA = 1, CX2 is deactivated and the XOSC is set to its high frequency  $f_{max}$ . An external reference signal can be directly AC-coupled to the reference oscillator input pin ROI. Then the transmitter is used without a crystal. Now the reference signal sets the carrier frequency and may also contain the FSK (or FM) modulation.

Fig. 2: Crystal pulling circuitry



| FSKDTA | Description                                       |
|--------|---------------------------------------------------|
| 0      | $f_{min} = f_c - \Delta f$ (FSK switch is closed) |
| 1      | $f_{max} = f_c + \Delta f$ (FSK switch is open)   |

### 2.3 Crystal Pulling

A crystal is tuned by the manufacturer to the required oscillation frequency  $f_0$  at a given load capacitance  $CL$  and within the specified calibration tolerance. The only way to pull the oscillation frequency is to vary the effective load capacitance  $CL_{eff}$  seen by the crystal.

Figure 3 shows the oscillation frequency of a crystal as a function of the effective load capacitance. This capacitance changes in accordance with the logic level of FSKDTA around the specified load capacitance. The figure illustrates the relationship between the external pulling capacitors and the frequency deviation. It can also be seen that the pulling sensitivity increases with the reduction of  $CL$ . Therefore, applications with a high frequency deviation require a low load capacitance. For narrow band FSK applications, a higher load capacitance could be chosen in order to reduce the frequency drift caused by the tolerances of the chip and the external pulling capacitors.

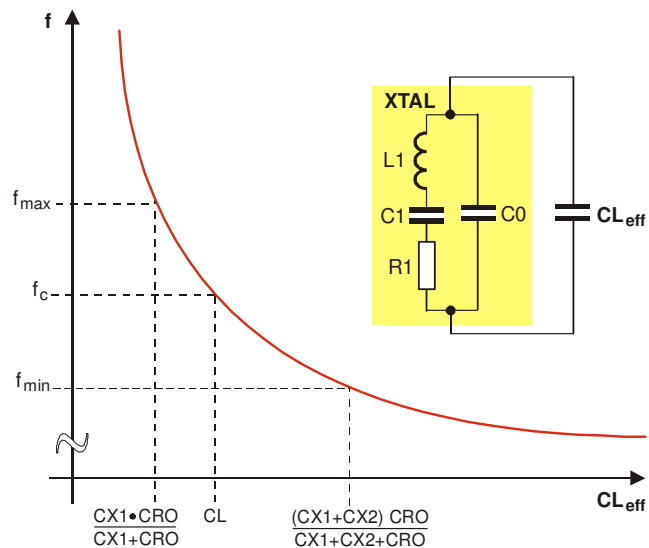


Fig. 3: Crystal pulling characteristic

For ASK applications CX2 can be omitted. Then CX1 has to be adjusted for center frequency.

## 2.4 ASK Modulation

The TH72016 can be ASK-modulated by applying data directly at pin PSEL. This turns the PA on and off which leads to an ASK signal at the output.

## 2.5 Output Power Selection

The transmitter is provided with an output power selection feature. There are four predefined output power steps and one off-step accessible via the power selection pin PSEL. A digital power step adjustment was chosen because of its high accuracy and stability. The number of steps and the step sizes as well as the corresponding power levels are selected to cover a wide spectrum of different applications.

The implementation of the output power control logic is shown in figure 4. There are two matched current sources with an amount of about 8  $\mu\text{A}$ . One current source is directly applied to the PSEL pin. The other current source is used for the generation of reference voltages with a resistor ladder. These reference voltages are defining the thresholds between the power steps. The four comparators deliver thermometer-coded control signals depending on the voltage level at the pin PSEL. In order to have a certain amount of ripple tolerance in a noisy environment the comparators are provided with a little hysteresis of about 20 mV. With these control signals, weighted current sources of the power amplifier are switched on or off to set the desired output power level (Digitally Controlled Current Source). The LOCK signal and the output of the low voltage detector are gating this current source.

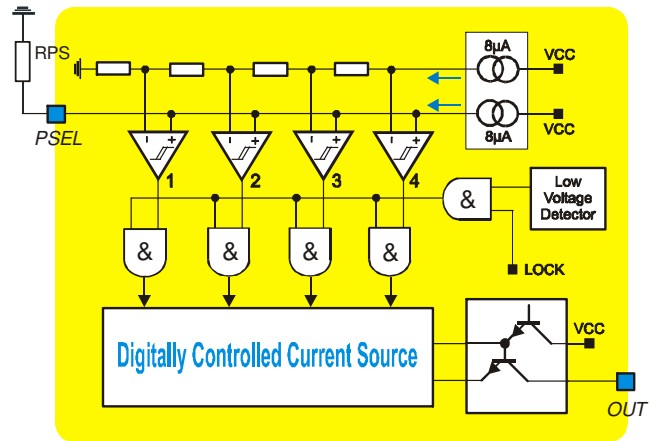


Fig. 4: Block diagram of output power control circuitry

There are two ways to select the desired output power step. First by applying a DC voltage at the pin PSEL, then this voltage directly selects the desired output power step. This kind of power selection can be used if the transmission power must be changed during operation. For a fixed-power application a resistor can be used which is connected from the PSEL pin to ground. The voltage drop across this resistor selects the desired output power level. For fixed-power applications at the highest power step this resistor can be omitted. The pin PSEL is in a high impedance state during the "TX standby" mode.

## 2.6 Lock Detection

The lock detection circuitry turns on the power amplifier only after PLL lock. This prevents from unwanted emission of the transmitter if the PLL is unlocked.

## 2.7 Low Voltage Detection

The supply voltage is sensed by a low voltage detect circuitry. The power amplifier is turned off if the supply voltage drops below a value of about 1.85 V. This is done in order to prevent unwanted emission of the transmitter if the supply voltage is too low.

### 2.8 Mode Control Logic

The mode control logic allows two different modes of operation as listed in the following table. The mode control pin EN is pulled-down internally. This guarantees that the whole circuit is shut down if this pin is left floating.

| EN | Mode                      | Description        |
|----|---------------------------|--------------------|
| 0  | TX standby                | TX disabled        |
| 1  | TX active<br>CKOUT active | TX / CKOUT enabled |

### 2.9 Clock Output

The clock output CKOUT is CMOS-compatible and can be used to drive a microcontroller. The frequency of the clock can be changed by the clock divider control signal CKDIV, that can be selected according to the following table. A capacitor at pin CKOUT can be used to control the clock voltage swing and the spurious emission.

| CKDIV | Clock divider ratio | Clock frequency / $f_c=433.92\text{MHz}$ |
|-------|---------------------|------------------------------------------|
| 0     | 4                   | 3.39MHz                                  |
| 1     | 16                  | 848kHz                                   |

### 2.10 Timing Diagrams

After enabling the transmitter by the EN signal, the power amplifier remains inactive for the time  $t_{on}$ , the transmitter start-up time. The crystal oscillator starts oscillation and the PLL locks to the desired output frequency within the time duration  $t_{on}$ . After successful PLL lock, the LOCK signal turns on the power amplifier, and then the RF carrier can be FSK or ASK modulated.

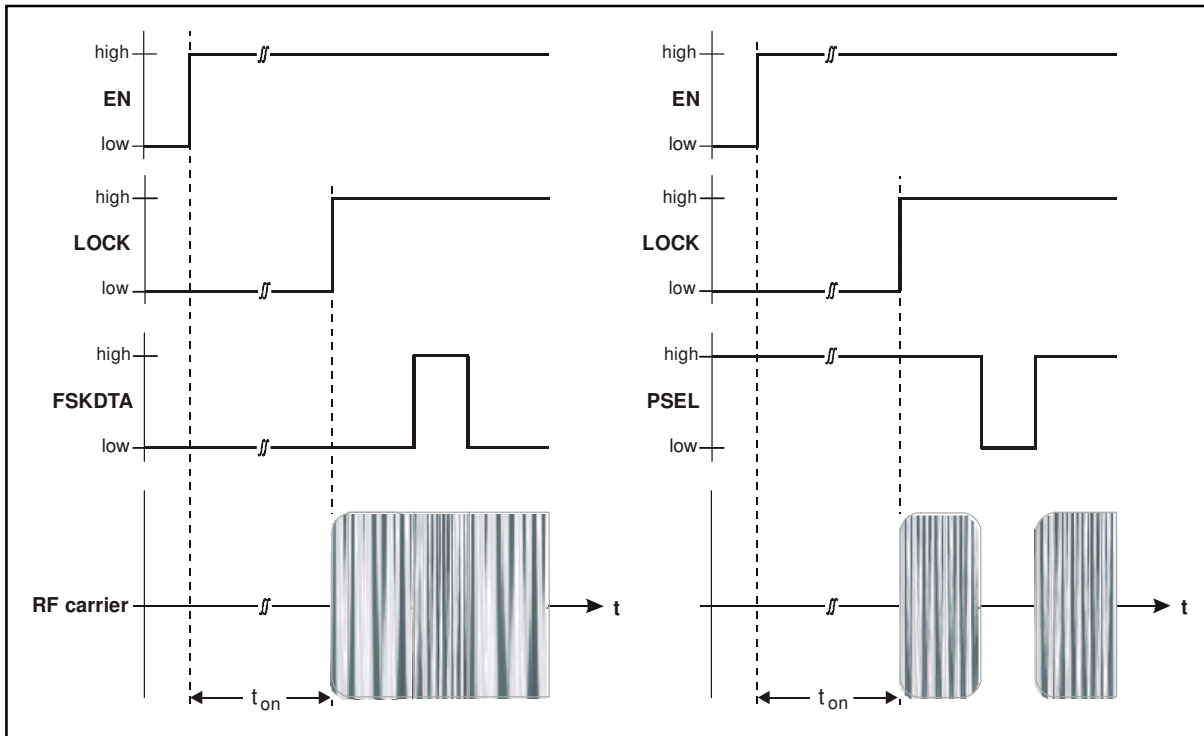
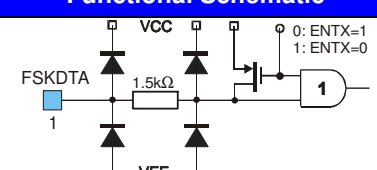
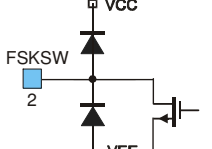
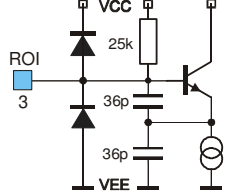
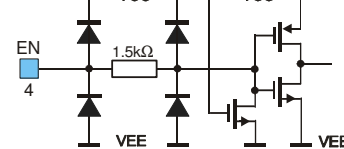
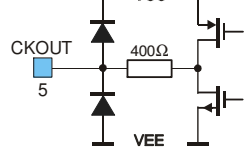
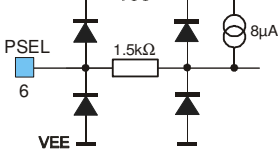
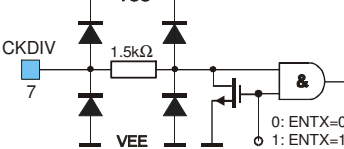
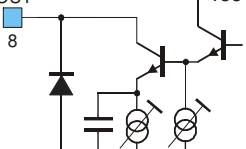


Fig. 5: Timing diagrams for FSK and ASK modulation

### 3 Pin Definition and Description

| Pin No. | Name   | I/O Type   | Functional Schematic                                                                 | Description                                                                                                                          |
|---------|--------|------------|--------------------------------------------------------------------------------------|--------------------------------------------------------------------------------------------------------------------------------------|
| 1       | FSKDTA | input      |    | FSK data input,<br>CMOS compatible with internal pull-up circuit<br><br>TX standby: no pull-up<br>TX active: pull-up                 |
| 2       | FSKSW  | analog I/O |     | XOSC FSK pulling pin, MOS switch                                                                                                     |
| 3       | ROI    | analog I/O |     | XOSC connection to XTAL, Colpitts type crystal oscillator                                                                            |
| 4       | EN     | input      |   | mode control input, CMOS-compatible with internal pull-down circuit                                                                  |
| 5       | CKOUT  | output     |   | clock output, CMOS-compatible                                                                                                        |
| 6       | PSEL   | analog I/O |   | power select input, high-impedance comparator logic<br><br>TX standby: $I_{PSEL} = 0$<br>TX active: $I_{PSEL} = 8\mu A$              |
| 7       | CKDIV  | input      |  | clock divider control input, CMOS compatible with internal pull-down circuit<br><br>TX standby: no pull-down<br>TX active: pull-down |
| 8       | OUT    | output     |   | power amplifier output, open collector                                                                                               |
| 9       | VEE    | ground     |                                                                                      | negative power supply                                                                                                                |
| 10      | VCC    | supply     |                                                                                      | positive power supply                                                                                                                |

## 4 Electrical Characteristics

### 4.1 Absolute Maximum Ratings

| Parameter               | Symbol     | Condition                                            | Min  | Max          | Unit |
|-------------------------|------------|------------------------------------------------------|------|--------------|------|
| Supply voltage          | $V_{CC}$   |                                                      | 0    | 7.0          | V    |
| Input voltage           | $V_{IN}$   |                                                      | -0.3 | $V_{CC}+0.3$ | V    |
| Storage temperature     | $T_{STG}$  |                                                      | -65  | 150          | °C   |
| Junction temperature    | $T_J$      |                                                      |      | 150          | °C   |
| Thermal Resistance      | $R_{thJA}$ |                                                      |      | 49           | K/W  |
| Power dissipation       | $P_{diss}$ |                                                      |      | 0.12         | W    |
| Electrostatic discharge | $V_{ESD}$  | human body model (HBM) according to CDF-AEC-Q100-002 | ±2.0 |              | kV   |

### 4.2 Normal Operating Conditions

| Parameter               | Symbol     | Condition                                    | Min                | Max                | Unit   |
|-------------------------|------------|----------------------------------------------|--------------------|--------------------|--------|
| Supply voltage          | $V_{CC}$   |                                              | 1.95               | 5.5                | V      |
| Operating temperature   | $T_A$      |                                              | -40                | 125                | °C     |
| Input low voltage CMOS  | $V_{IL}$   | EN, FSKDTA                                   |                    | $0.3 \cdot V_{CC}$ | V      |
| Input high voltage CMOS | $V_{IH}$   | EN, FSKDTA                                   | $0.7 \cdot V_{CC}$ |                    | V      |
| XOSC frequency          | $f_{ref}$  | set by the crystal                           | 11.9               | 14                 | MHz    |
| VCO frequency           | $f_c$      | $f_c = 32 \cdot f_{ref}$                     | 380                | 450                | MHz    |
| Clock frequency         | $f_{CLK}$  | CKDIV=0, $f_{CLK} = f_{ref} / 4$             | 3                  | 3.5                | MHz    |
|                         |            | CKDIV=1, $f_{CLK} = f_{ref} / 16$            | 750                | 875                | kHz    |
| FSK deviation           | $\Delta f$ | depending on CX1, CX2 and crystal parameters | ±2.5               | ±40                | kHz    |
| FSK Data rate           | R          | NRZ                                          |                    | 40                 | kbit/s |
| ASK Data rate           | R          | NRZ                                          |                    | 40                 | kbit/s |

### 4.3 Crystal Parameters

| Parameter          | Symbol     | Condition             | Min  | Max | Unit     |
|--------------------|------------|-----------------------|------|-----|----------|
| Crystal frequency  | $f_0$      | fundamental mode, AT  | 11.9 | 14  | MHz      |
| Load capacitance   | $C_L$      |                       | 10   | 15  | pF       |
| Static capacitance | $C_0$      |                       |      | 7   | pF       |
| Series resistance  | $R_1$      |                       |      | 70  | $\Omega$ |
| Spurious response  | $a_{spur}$ | only required for FSK |      | -10 | dB       |



## 4.4 DC Characteristics

all parameters under normal operating conditions, unless otherwise stated;  
typical values at  $T_A = 23\text{ °C}$  and  $V_{CC} = 3\text{ V}$

| Parameter                                   | Symbol         | Condition                 | Min                | Typ  | Max                | Unit          |
|---------------------------------------------|----------------|---------------------------|--------------------|------|--------------------|---------------|
| <b>Operating Currents</b>                   |                |                           |                    |      |                    |               |
| Standby current                             | $I_{SBY}$      | EN=0, $T_A=85\text{ °C}$  |                    | 0.2  | 200                | nA            |
|                                             |                | EN=0, $T_A=125\text{ °C}$ |                    |      | 4                  | $\mu\text{A}$ |
| Supply current in power step 0              | $I_{CC0}$      | EN=1                      | 1.5                | 2.9  | 5.0                | mA            |
| Supply current in power step 1              | $I_{CC1}$      | EN=1                      | 2.1                | 3.8  | 6.0                | mA            |
| Supply current in power step 2              | $I_{CC2}$      | EN=1                      | 3.0                | 5.0  | 7.5                | mA            |
| Supply current in power step 3              | $I_{CC3}$      | EN=1                      | 4.5                | 6.9  | 9.5                | mA            |
| Supply current in power step 4              | $I_{CC4}$      | EN=1                      | 7.3                | 11.0 | 14.5               | mA            |
| <b>Digital Pin Characteristics</b>          |                |                           |                    |      |                    |               |
| Input low voltage CMOS                      | $V_{IL}$       | EN, FSKDTA                | -0.3               |      | $0.3 \cdot V_{CC}$ | V             |
| Input high voltage CMOS                     | $V_{IH}$       | EN, FSKDTA                | $0.7 \cdot V_{CC}$ |      | $V_{CC} + 0.3$     | V             |
| Pull down current, EN                       | $I_{PDEN}$     | EN=1                      | 0.2                | 4.0  | 40                 | $\mu\text{A}$ |
| Low level input current, EN                 | $I_{INLEN}$    | EN=0                      |                    |      | 0.02               | $\mu\text{A}$ |
| High level input current, FSKDTA            | $I_{INHDTA}$   | FSKDTA=1                  |                    |      | 0.02               | $\mu\text{A}$ |
| Pull up current FSKDTA active mode          | $I_{PUDTAa}$   | FSKDTA=0, EN=1            | 0.1                | 1.5  | 12                 | $\mu\text{A}$ |
| Pull up current FSK standby mode            | $I_{PUDTAs}$   | FSKDTA=0, EN=0            |                    |      | 0.02               | $\mu\text{A}$ |
| Low level input current CKDIV               | $I_{INLCKDIV}$ | CKDIV=0                   |                    |      | 0.02               | $\mu\text{A}$ |
| Pull-down current CKDIV active mode         | $I_{PDCKDIVa}$ | CKDIV=1, EN=1             | 0.1                | 1.5  | 12                 | $\mu\text{A}$ |
| Pull-down current CKDIV standby mode        | $I_{PDCKDIVs}$ | CKDIV=1, EN=0             |                    |      | 0.02               | $\mu\text{A}$ |
| <b>FSK Switch Resistance</b>                |                |                           |                    |      |                    |               |
| MOS switch On resistance                    | $R_{ON}$       | FSKDTA=0, EN=1            |                    | 20   | 70                 | $\Omega$      |
| MOS switch Off resistance                   | $R_{OFF}$      | FSKDTA=1, EN=1            | 1                  |      |                    | M $\Omega$    |
| <b>Power Select Characteristics</b>         |                |                           |                    |      |                    |               |
| Power select current                        | $I_{PSEL}$     | EN=1                      | 7.0                | 8.6  | 9.9                | $\mu\text{A}$ |
| Power select voltage step 0                 | $V_{PS0}$      | EN=1                      |                    |      | 0.035              | V             |
| Power select voltage step 1                 | $V_{PS1}$      | EN=1                      | 0.14               |      | 0.24               | V             |
| Power select voltage step 2                 | $V_{PS2}$      | EN=1                      | 0.37               |      | 0.60               | V             |
| Power select voltage step 3                 | $V_{PS3}$      | EN=1                      | 0.78               |      | 1.29               | V             |
| Power select voltage step 4                 | $V_{PS4}$      | EN=1                      | 1.55               |      |                    | V             |
| <b>Low Voltage Detection Characteristic</b> |                |                           |                    |      |                    |               |
| Low voltage detect threshold                | $V_{LVD}$      | EN=1                      | 1.75               | 1.85 | 1.95               | V             |

## 4.5 AC Characteristics

all parameters under normal operating conditions, unless otherwise stated;  
typical values at  $T_A = 23\text{ }^\circ\text{C}$  and  $V_{CC} = 3\text{ V}$ ; test circuit shown in Fig. 6,  $f_c = 433.92\text{ MHz}$

| Parameter                                                       | Symbol     | Condition                            | Min           | Typ | Max                | Unit   |
|-----------------------------------------------------------------|------------|--------------------------------------|---------------|-----|--------------------|--------|
| <b>CW Spectrum Characteristics</b>                              |            |                                      |               |     |                    |        |
| Output power in step 0 (Isolation in off-state)                 | $P_{off}$  | EN=1                                 |               |     | -70                | dBm    |
| Output power in step 1                                          | $P_1$      | EN=1                                 | -13           | -12 | -10 <sup>1)</sup>  | dBm    |
| Output power in step 2                                          | $P_2$      | EN=1                                 | -3.5          | -3  | -1.5 <sup>1)</sup> | dBm    |
| Output power in step 3                                          | $P_3$      | EN=1                                 | 2             | 3   | 4.5 <sup>1)</sup>  | dBm    |
| Output power in step 4                                          | $P_4$      | EN=1                                 | 4.5           | 8   | 10 <sup>1)</sup>   | dBm    |
| Phase noise                                                     | $L(f_m)$   | @ 200kHz offset                      |               | -88 | -83                | dBc/Hz |
| Spurious emissions according to EN 300 220-1 (2000.09) table 13 | $P_{spur}$ | 47MHz < f < 74MHz                    |               |     | -54                | dBm    |
|                                                                 |            | 87.5MHz < f < 118MHz                 |               |     |                    |        |
|                                                                 |            | 174MHz < f < 230MHz                  |               |     |                    |        |
|                                                                 |            | 470MHz < f < 862MHz                  |               |     |                    |        |
|                                                                 |            | B=100kHz                             |               |     |                    |        |
|                                                                 |            | f < 1GHz, B=100kHz                   |               |     | -36                | dBm    |
|                                                                 |            | f > 1GHz, B=1MHz                     |               |     | -30                | dBm    |
| <b>Clock output Characteristics</b>                             |            |                                      |               |     |                    |        |
| Output low voltage CMOS                                         | $V_{OL}$   | depending on capacitor CCK and CKDIV |               |     | 0.3* $V_{CC}$      | V      |
| Output high voltage CMOS                                        | $V_{OH}$   |                                      | 0.7* $V_{CC}$ |     |                    | V      |
| <b>Start-up Parameters</b>                                      |            |                                      |               |     |                    |        |
| Start-up time                                                   | $t_{on}$   | from standby to transmit mode        |               | 0.8 | 1.2                | ms     |
| <b>Frequency Stability</b>                                      |            |                                      |               |     |                    |        |
| Frequency stability vs. supply voltage                          | $df_{VCC}$ |                                      |               |     | ±3                 | ppm    |
| Frequency stability vs. temperature                             | $df_{TA}$  | crystal at constant temperature      |               |     | ±10                | ppm    |
| Frequency stability vs. variation range of $C_{RO}$             | $df_{CRO}$ |                                      |               |     | ±20                | ppm    |

1) output matching network tuned for 5V supply

## 4.6 Output Power Steps – FSK Mode

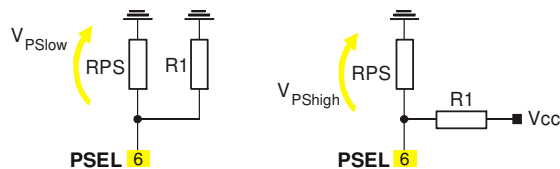
| Power step | 0   | 1  | 2  | 3   | 4             |
|------------|-----|----|----|-----|---------------|
| RPS / kΩ   | < 3 | 22 | 56 | 120 | not connected |

## 4.7 Output Power Steps – ASK Mode

typical values at TA = 23 °C and VCC = 3 V; test circuit shown in Fig. 6

| Power step | 1   | 2   | 3   | 4             |
|------------|-----|-----|-----|---------------|
| RPS / kΩ   | 2.4 | 2.8 | 3.5 | not connected |
| R1 / kΩ    | 36  | 14  | 7   | 0             |

V<sub>PSlow</sub> = voltage across RPS if ASK\_DTA at 0V  
V<sub>PShigh</sub> = voltage across RPS if ASK\_DTA at V<sub>CC</sub>



If the transmitter is operated at any supply voltage V<sub>CC</sub>, the values for R1 and RPS can be calculated as follows:

$$R_1 = \frac{V_{CC} \cdot V_{PSlow}}{I_{PSEL} \cdot V_{PShigh}}$$

$$R_{PS} = R_1 \frac{V_{PShigh}}{V_{CC} - V_{PShigh}}$$

## 5 Test Circuit

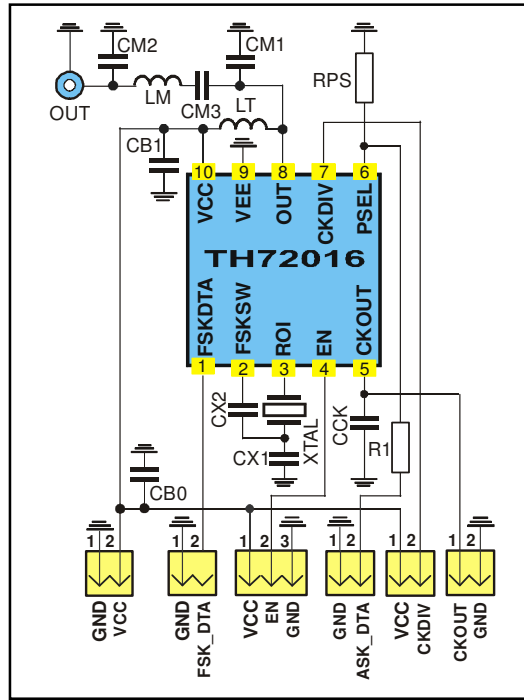


Fig. 6: Test circuit for FSK and ASK with 50  $\Omega$  matching network

### 5.1 Test circuit component list to Fig. 6

| Part    | Size      | Value @ 433.92 MHz | Tolerance                               | Description                                                            |
|---------|-----------|--------------------|-----------------------------------------|------------------------------------------------------------------------|
| CM1     | 0805      | 5.6pF              | $\pm 5\%$                               | impedance matching capacitor                                           |
| CM2     | 0805      | 10 pF              | $\pm 5\%$                               | impedance matching capacitor                                           |
| CM3     | 0805      | 82 pF              | $\pm 5\%$                               | impedance matching capacitor                                           |
| LM      | 0805      | 33 nH              | $\pm 5\%$                               | impedance matching inductor, note 2                                    |
| LT      | 0805      | 33 nH              | $\pm 5\%$                               | output tank inductor, note 2                                           |
| CX1_FSK | 0805      | 10 pF              | $\pm 5\%$                               | XOSC FSK capacitor ( $\Delta f = \pm 20$ kHz), note 1                  |
| CX1_ASK | 0805      | 18 pF              | $\pm 5\%$                               | XOSC ASK capacitor, trimmed to $f_c$ , note 1                          |
| CX2     | 0805      | 27 pF              | $\pm 5\%$                               | XOSC capacitor ( $\Delta f = \pm 20$ kHz), note 1 only needed for FSK  |
| CCK     | 0805      | 18 pF / 180 pF     | $\pm 5\%$                               | clock spur suppression capacitor, CKDIV 0 / 1                          |
| RPS     | 0805      | see section 4.6    | $\pm 5\%$                               | FSK or CW mode power-select resistor                                   |
| R1      | 0805      | see section 4.7    | $\pm 5\%$                               | ASK power-select resistor, not used at FSK                             |
| CB0     | 1206      | 220 nF             | $\pm 20\%$                              | de-coupling capacitor                                                  |
| CB1     | 0805      | 330 pF             | $\pm 10\%$                              | de-coupling capacitor                                                  |
| XTAL    | SMD 6x3.5 | 13.56000MHz        | $\pm 30$ ppm cal.<br>$\pm 30$ ppm temp. | fundamental wave crystal, CL = 10 pF, C0, max = 5 pF, R1 = 50 $\Omega$ |

**Note 1:** value depending on crystal parameters

**Note 2:** for high-power applications high-Q wire-wound inductors should be used

## 6 Package Description

The device TH72016 is RoHS compliant.

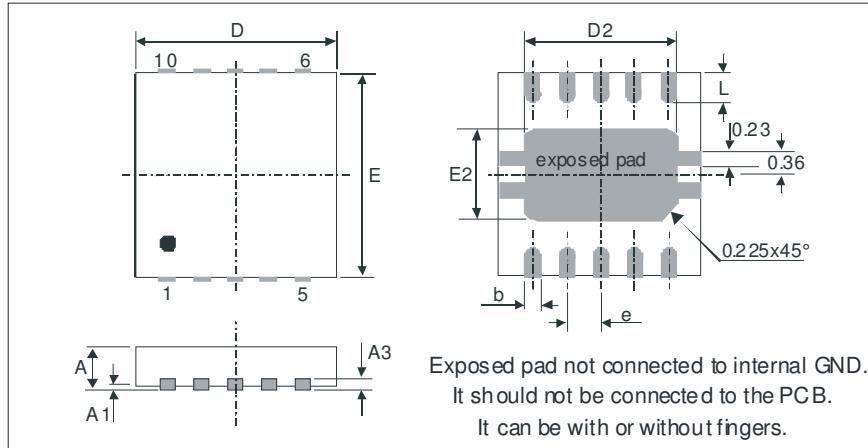


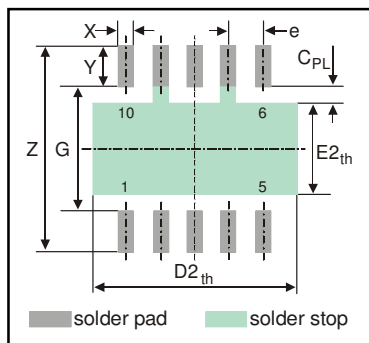
Fig. 7: 10L QFN 3x3 Dual

| all Dimensions in mm   |       |       |        |       |        |       |        |        |        |        |
|------------------------|-------|-------|--------|-------|--------|-------|--------|--------|--------|--------|
|                        | D     | E     | D2     | E2    | A      | A1    | A3     | L      | e      | b      |
| min                    | 2.85  | 2.85  | 2.23   | 1.49  | 0.80   | 0     | 0.20   | 0.3    | 0.50   | 0.18   |
| max                    | 3.15  | 3.15  | 2.48   | 1.74  | 1.00   | 0.05  | 0.20   | 0.5    | 0.50   | 0.30   |
| all Dimensions in inch |       |       |        |       |        |       |        |        |        |        |
|                        | D     | E     | D2     | E2    | A      | A1    | A3     | L      | e      | b      |
| min                    | 0.112 | 0.112 | 0.0878 | 0.051 | 0.0315 | 0     | 0.0079 | 0.0118 | 0.0197 | 0.0071 |
| max                    | 0.124 | 0.124 | 0.0976 | 0.055 | 0.0393 | 0.002 | 0.0079 | 0.0197 | 0.0197 | 0.0118 |

### 6.1 Soldering Information

- The device TH72016 is qualified for MSL1 with soldering peak temperature 260 deg C according to JEDEC J-STD-20

### 6.2 Recommended PCB Footprints



| all Dimensions in mm   |        |        |                  |                  |        |        |                 |        |
|------------------------|--------|--------|------------------|------------------|--------|--------|-----------------|--------|
|                        | Z      | G      | D2 <sub>th</sub> | E2 <sub>th</sub> | X      | Y      | C <sub>PL</sub> | e      |
| min                    | 3.55   | 1.9    | 3.2              | 1.3              | 0.25   | 0.7    | 0.3             | 0.5    |
| max                    | 3.90   | 2.3    | 3.6              | 1.7              | 0.30   | 1.0    | 0.5             | 0.5    |
| all Dimensions in inch |        |        |                  |                  |        |        |                 |        |
|                        | Z      | G      | D2 <sub>th</sub> | E2 <sub>th</sub> | X      | Y      | C <sub>PL</sub> | e      |
| min                    | 0.1398 | 0.0748 | 0.1260           | 0.0512           | 0.0098 | 0.0276 | 0.0591          | 0.0197 |
| max                    | 0.1535 | 0.0906 | 0.1417           | 0.0669           | 0.0118 | 0.0394 | 0.0197          | 0.0197 |

Fig. 8: PCB land pattern style

## **7 Standard information regarding manufacturability of Melexis products with different soldering processes**

Our products are classified and qualified regarding soldering technology, solderability and moisture sensitivity level according to following test methods:

### **Reflow Soldering SMD's (Surface Mount Devices)**

- IPC/JEDEC J-STD-020  
Moisture/Reflow Sensitivity Classification for Nonhermetic Solid State Surface Mount Devices (classification reflow profiles according to table 5-2)
- EIA/JEDEC JESD22-A113  
Preconditioning of Nonhermetic Surface Mount Devices Prior to Reliability Testing (reflow profiles according to table 2)

### **Wave Soldering SMD's (Surface Mount Devices) and THD's (Through Hole Devices)**

- EN60749-20  
Resistance of plastic- encapsulated SMD's to combined effect of moisture and soldering heat
- EIA/JEDEC JESD22-B106 and EN60749-15  
Resistance to soldering temperature for through-hole mounted devices

### **Iron Soldering THD's (Through Hole Devices)**

- EN60749-15  
Resistance to soldering temperature for through-hole mounted devices

### **Solderability SMD's (Surface Mount Devices) and THD's (Through Hole Devices)**

- EIA/JEDEC JESD22-B102 and EN60749-21  
Solderability

For all soldering technologies deviating from above mentioned standard conditions (regarding peak temperature, temperature gradient, temperature profile etc) additional classification and qualification tests have to be agreed upon with Melexis.

The application of Wave Soldering for SMD's is allowed only after consulting Melexis regarding assurance of adhesive strength between device and board.

Melexis is contributing to global environmental conservation by promoting **lead free** solutions. For more information on qualifications of **RoHS** compliant products (RoHS = European directive on the Restriction Of the use of certain Hazardous Substances) please visit the quality page on our website:

<http://www.melexis.com/quality.aspx>

## **8 ESD Precautions**

Electronic semiconductor products are sensitive to Electro Static Discharge (ESD). Always observe Electro Static Discharge control procedures whenever handling semiconductor products.

## **9 Disclaimer**

Devices sold by Melexis are covered by the warranty and patent indemnification provisions appearing in its Term of Sale. Melexis makes no warranty, express, statutory, implied, or by description regarding the information set forth herein or regarding the freedom of the described devices from patent infringement. Melexis reserves the right to change specifications and prices at any time and without notice. Therefore, prior to designing this product into a system, it is necessary to check with Melexis for current information. This product is intended for use in normal commercial applications. Applications requiring extended temperature range, unusual environmental requirements, or high reliability applications, such as military, medical life-support or life-sustaining equipment are specifically not recommended without additional processing by Melexis for each application.

The information furnished by Melexis is believed to be correct and accurate. However, Melexis shall not be liable to recipient or any third party for any damages, including but not limited to personal injury, property damage, loss of profits, loss of use, interrupt of business or indirect, special incidental or consequential damages, of any kind, in connection with or arising out of the furnishing, performance or use of the technical data herein. No obligation or liability to recipient or any third party shall arise or flow out of Melexis' rendering of technical or other services.

© 2012 Melexis NV. All rights reserved.

For the latest version of this document, go to our website at  
**[www.melexis.com](http://www.melexis.com)**

Or for additional information contact Melexis Direct:

|                                                                                |                                                                          |
|--------------------------------------------------------------------------------|--------------------------------------------------------------------------|
| Europe, Africa, Asia:                                                          | America:                                                                 |
| Phone: +32 1367 0495                                                           | Phone: +1 248 306 5400                                                   |
| E-mail: <a href="mailto:sales_europe@melexis.com">sales_europe@melexis.com</a> | E-mail: <a href="mailto:sales_usa@melexis.com">sales_usa@melexis.com</a> |

ISO/TS 16949 and ISO14001 Certified