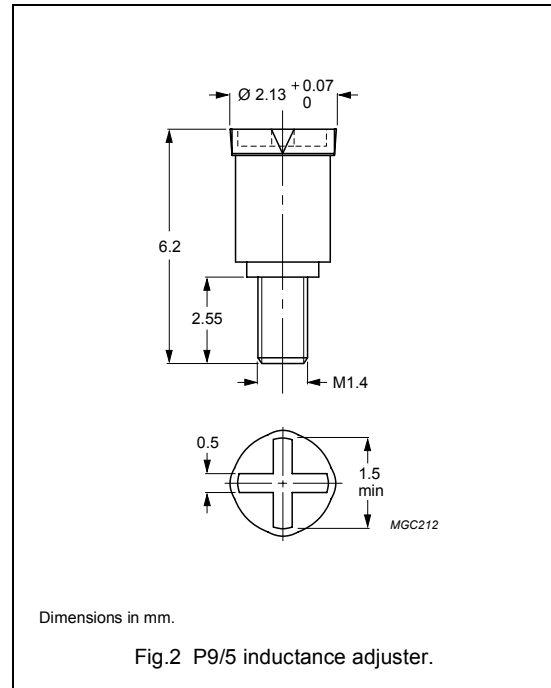


INDUCTANCE ADJUSTERS

General data

ITEM	SPECIFICATION
Material of head and thread	polypropylene (PP), glass fibre reinforced
Maximum operating temperature	125 °C



Inductance adjuster selection chart ^{sup} (applies to all types)

GRADE	A _L (nH)	TYPES FOR LOW ADJUSTMENT	ΔL/L ⁽¹⁾	TYPES FOR MEDIUM ADJUSTMENT	ΔL/L ⁽¹⁾	TYPES FOR HIGH ADJUSTMENT	ΔL/L ⁽¹⁾
3D3	40	–	–	ADJ-P9/P11-YELLOW	11	–	–
	63	–	–	–	18	ADJ-P9/P11-BROWN	31

Note

1. Maximum adjustment range.