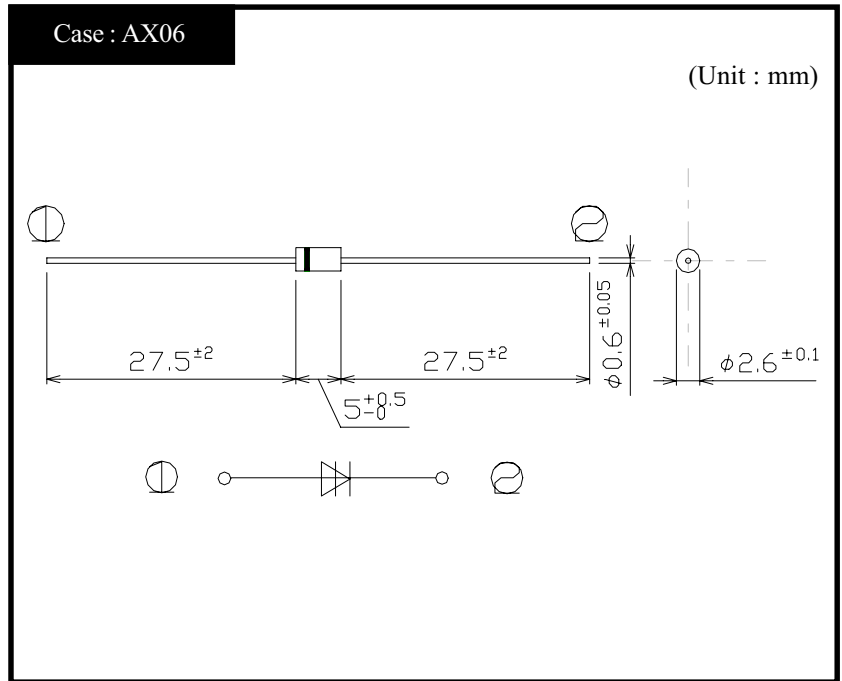


SHINDENGEN

Sidac

G1V(A)20C

OUTLINE DIMENSIONS



RATINGS

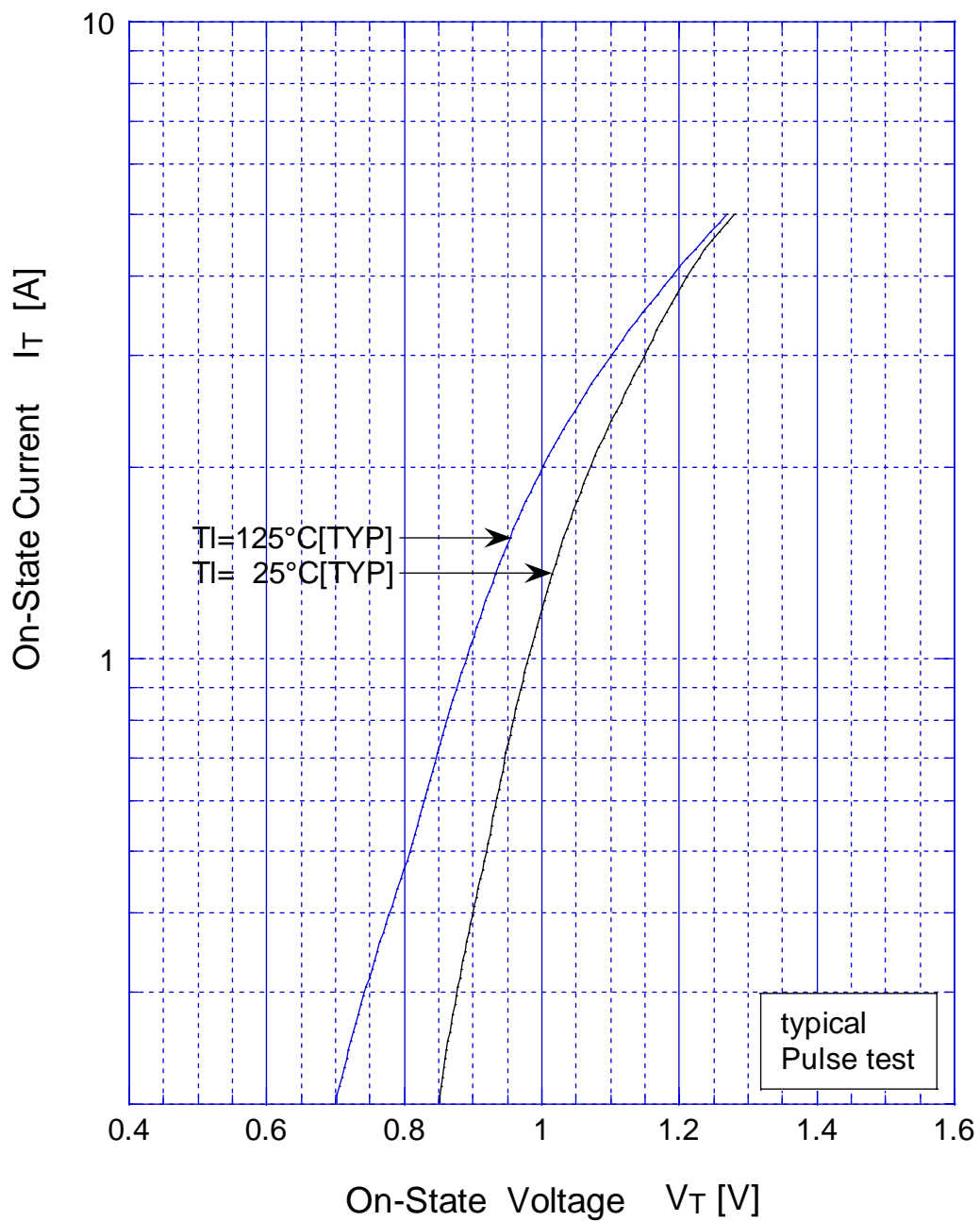
● Absolute Maximum Ratings (TI=25°C unless otherwise specified)

Item	Symbol	Conditions	Ratings	Unit
Storage Temperature	T _{stg}		-40 to 125	°C
Operating Junction Temperature	T _j		125	°C
Maximum Off-state Voltage	V _{DRM(A)}		170	V
RMS On-state Current	I _T	TI = 98°C, 50Hz sine wave (θ = 180°)	1	A
Pulse On-state Current	I _{TRM}	Ta = 25°C, pulse width 10 μs, 60Hz sine wave	80	A
Critical Rate of Rise of On-state Current	di _T /dt		80	A/μs

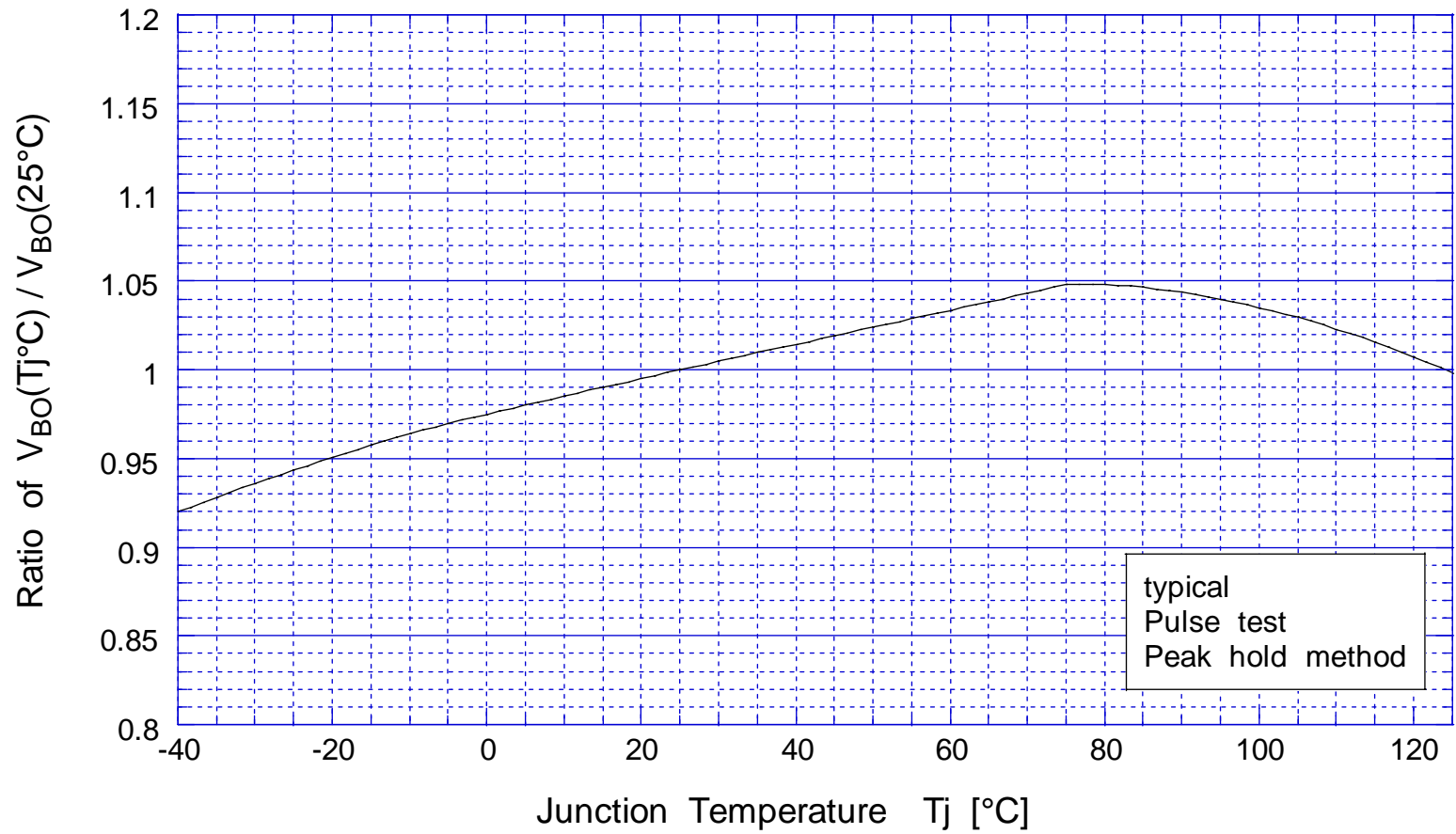
● Electrical Characteristics (TI=25°C unless otherwise specified)

Item	Symbol	Conditions	Ratings	Unit
Breakover Voltage	V _{BO(A)}	Pulse measurement dv/dt = 4V/ms	Min 190 Max 210	V
Off-state Current	I _{DRM(A)}	V _D = V _{DRM(A)}	Max 10	μA
Breakover Current	I _{BO(A)}		Max 0.5	mA
Holding Current	I _{H(A)}		Max 60	mA
	I _{H(K)}			
On-state Voltage	V _{T(A)}	I _T = 1A	Max 1.5	V
	V _{T(K)}			
Switching Resistance	R _{S(A)}		Min 0.1	kΩ
Thermal Resistance	θ _{jl}	junction to lead	Max 20	°C/W

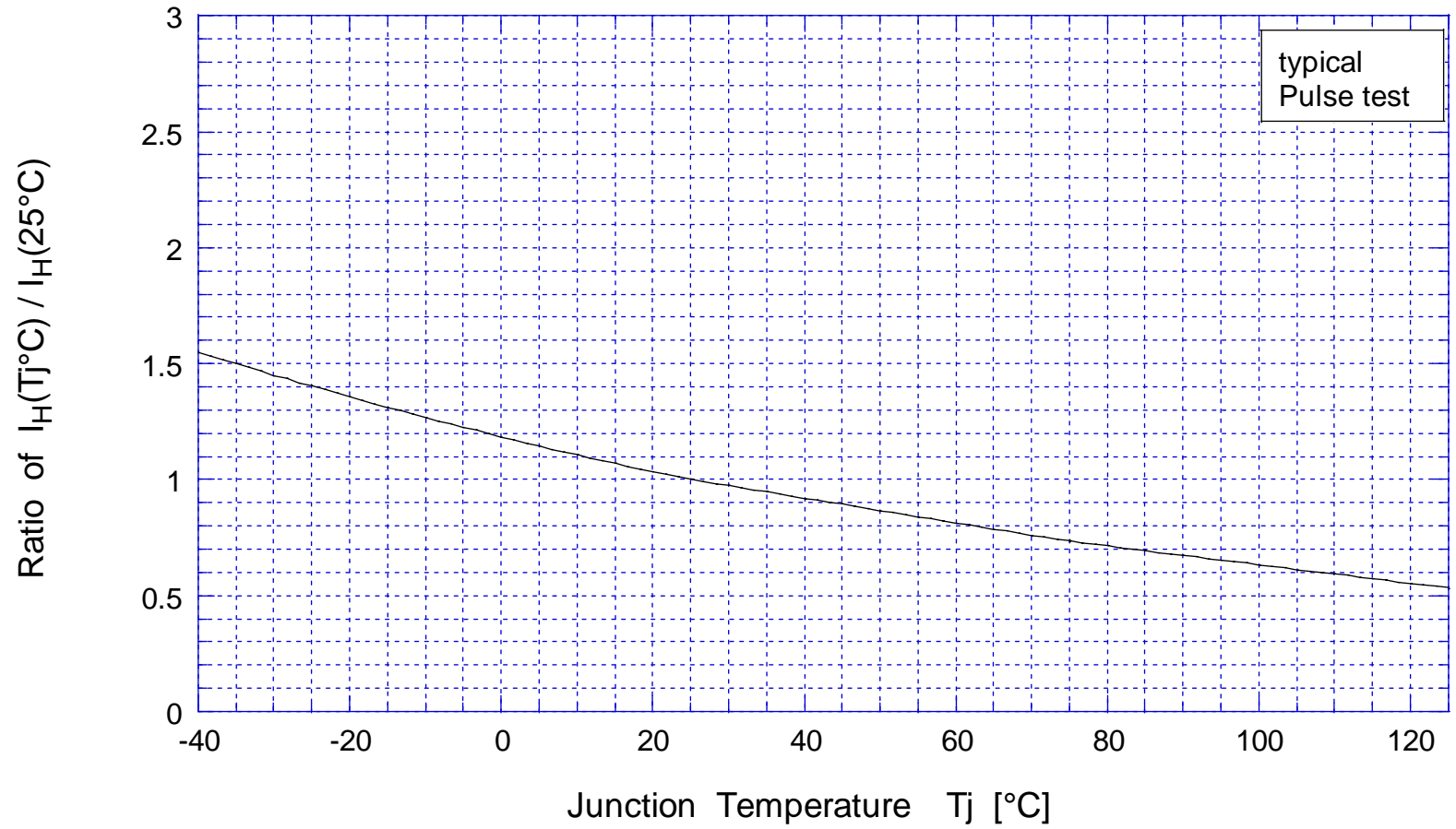
G1V(A)20C On-State Voltage vs On-State Current



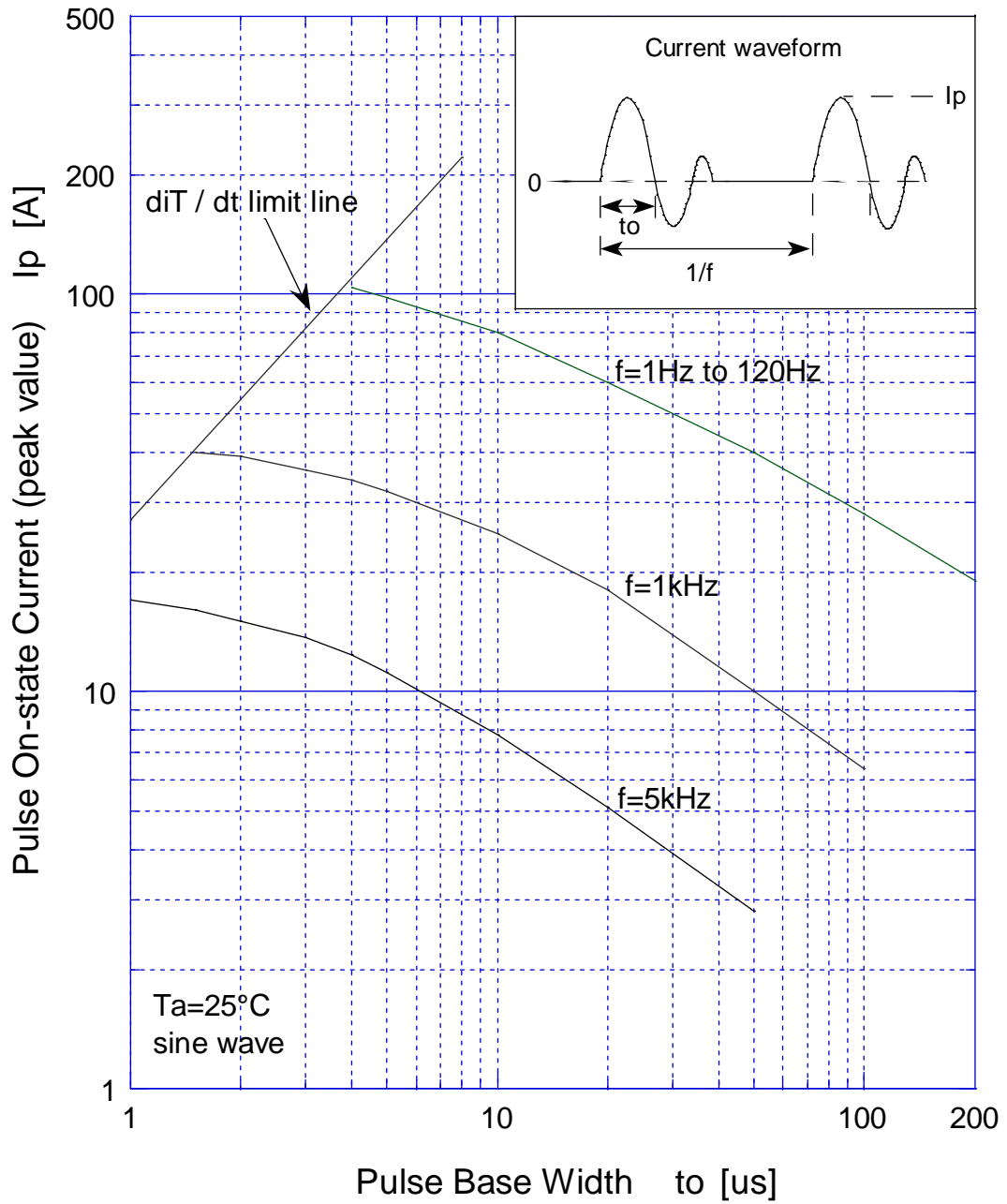
G1V(A)20C Break Over Voltage vs Junction Temperature



G1V(A)20C Holding Current vs Junction Temperature



G1V(A)20C Pulse On-state Current Rating



G1V(A)20C Derating Curve

