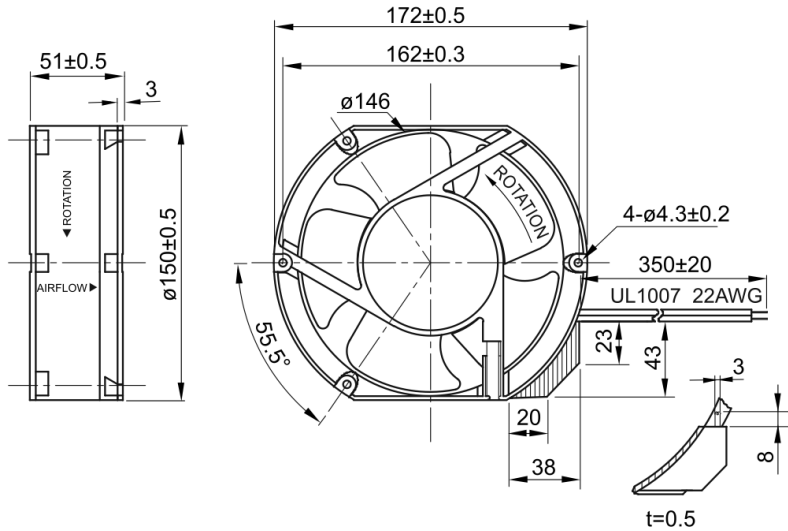


OA172SAP Series - IP55



AC FAN - 115V , 230V
172x150x51mm (6.7"x 5.9"x 2.0")



| | | | |
|-----------------------|---|--|--|
| Frame | Diecast Aluminum | <u>Operating Temperature</u> -20C ~ +70C <u>Life Expectancy</u> >40,000 hours (L10, 40C) Rated IP55 Class B Insulation m2 | |
| Impeller | PBT, UL94V-O plastic | | |
| Connection | Terminals | | |
| Motor | AC Capacitor, Thermally protected, Class B Insulation | | |
| Bearing System | Dual ball bearing | | |
| Insulation Resistance | >100M ohm between lead-wire and frame (500VDC) | | |
| Dielectric Strength | 1500V / 1 min | | |

| Model Number | OA172SAP-11-1TBIP55 | OA172SAP-22-1TBIP55 |
|--|---------------------|---------------------|
| Part Number | 230315302 | 230615302 |
| Nominal Voltage | 115 VAC | 230 VAC |
| Voltage Range | 103 ~ 126 VAC | 207 ~ 253 VAC |
| Rated Current | 0.25 A | 0.12 A |
| Locked Current | 0.43 A | 0.19 A |
| Rated Power | 31 W | 29 W |
| Rated Speed (RPM) | 3400 | 3400 |
| Airflow (CFM) | 226 | 226 |
| Noise Level (dB) | 58 | 58 |
| Max. Static Pressure (\" H ₂ O) | 0.79 | 0.79 |