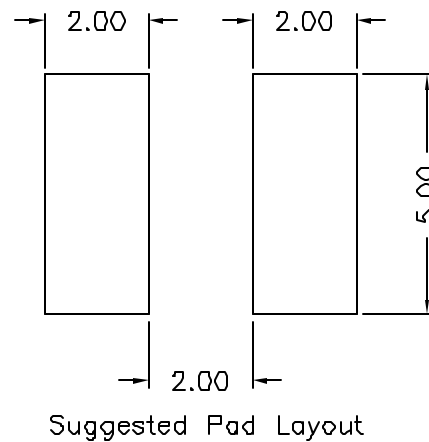
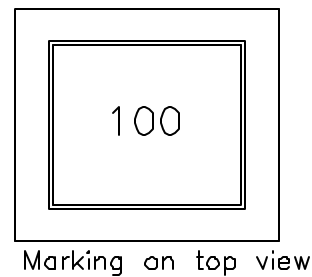
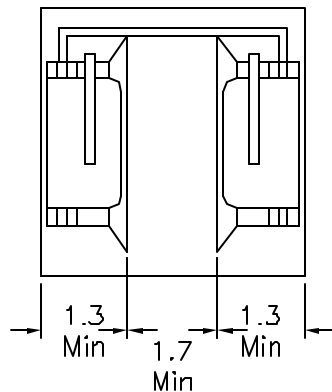
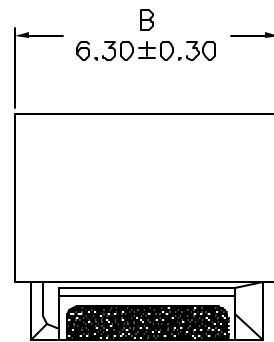
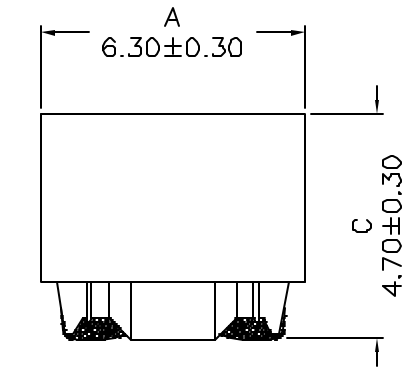
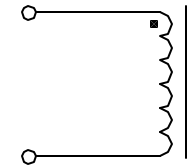


1. Mechanical Dimensions:



DOC REV: A/4

2. Schematic:



3. Electrical Specifications:

OCL: $10\mu\text{H} \pm 20\%$ @1MHz 1V, 1600mA
 DCR: 0.036 Ohms $\pm 40\%$
 SRF: 20MHz Min

Notes:

1. Solderability: Leads shall meet MIL-STD-202G, Method 208H for solderability.
2. Flammability: UL94V-0
3. ASTM oxygen index: > 28%
4. Insulation System: Class F 155°C, UL file E151558
5. Operating Temperature Range: All listed parameters are to be within tolerance from -40°C to +85°C
6. Storage Temperature Range: -55°C to +125°C
7. Aqueous wash compatible
8. SMD Lead Coplanarity: $\pm 0.004"$ (0.102mm)
9. Electrical and mechanical specifications 100% tested
10. RoHS Compliant Component

XFMRs Inc www.XFMRs.com	Title: INDUCTOR		
UNLESS OTHERWISE SPECIFIED TOLERANCES: .xx ± 0.25 . Dimensions in MM	P/N: XFWIC575047SH-100M		REV. A
	DWN.	Juan Mao	Dec-28-06
	CHK.	YK Liao	Dec-28-06
Scale 2.5:1 SHT 1 OF 1	APP.	MS	Dec-28-06