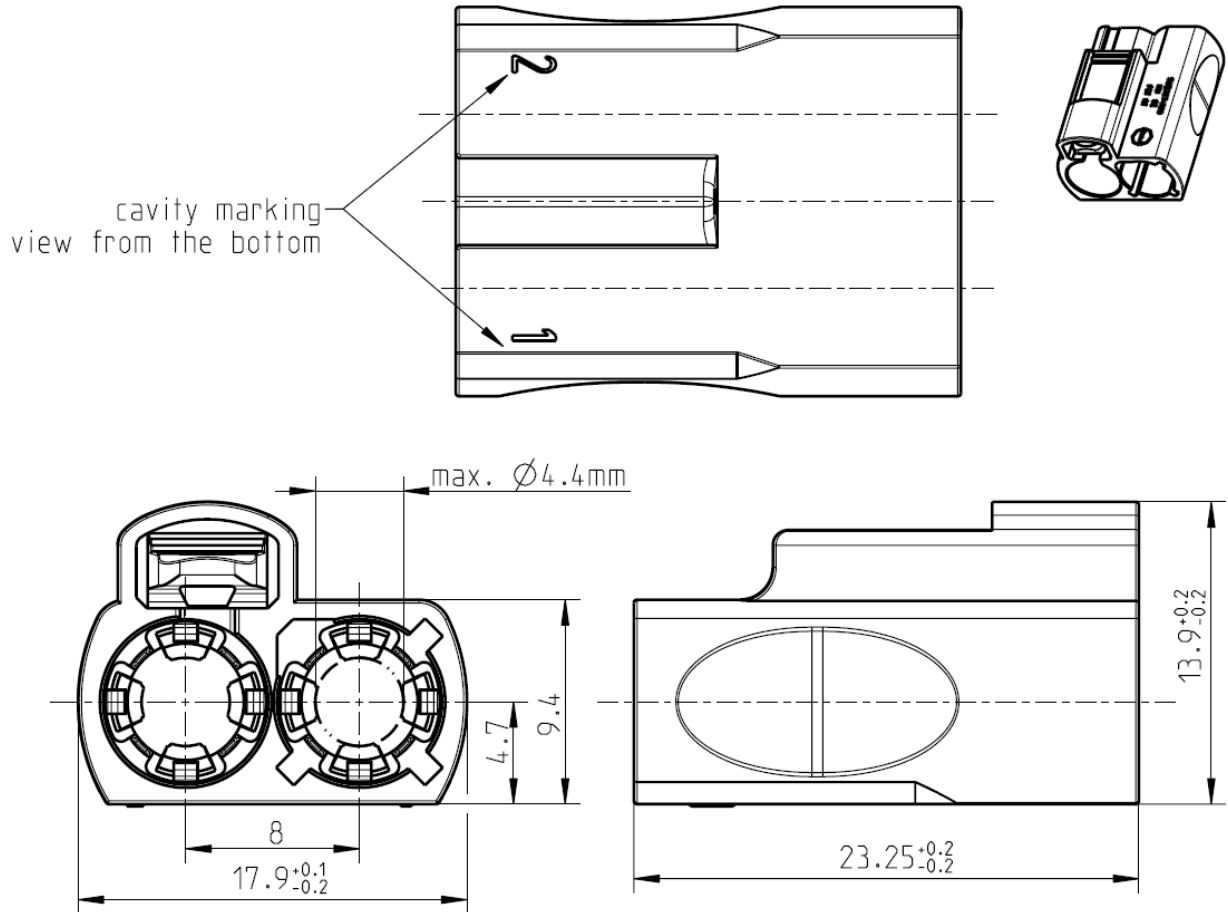


FAKRA -
HF

PLASTIC HOUSING

59Z067-000-Y



All dimensions are in mm; tolerances according to ISO 2768 m-H
Y = Part number has to be accomplished by codification

Interface and coding

According to

DIN 72594-1, USCAR 17

Material and plating

Connector parts

Housing

Material

PBT-GF23

d

Mechanical data

Mating cycles	≥ 25
Retention force latch	≥ 110 N
Retention force primary lock	≥ 110 N
Coding efficiency	≥ 40 N

Dieses Dokument ist urheberrechtlich geschützt • This document is protected by copyright • Rosenberger Hochfrequenztechnik GmbH & Co. KG

RF_35/09;14/6.2

FAKRA -
HF

PLASTIC HOUSING

59Z067-000-Y

Environmental data

Temperature range -40°C to +105°C
 Thermal shock DIN 72594-2 clause 8.2
 Temperature and humidity DIN 72594-2 clause 8.3
 Vibration and mechanical shock DIN 72594-2 clause 8.1
 Dry heat DIN 72594-2 clause 8.4
 RoHS compliant

Application

Applicable e.g. for following connectors: 59K130-1xx*; 59K16A-1xx*; 59K16B-1xx*; 59K170-1xx*;
 59K17K-1xx*

* -xx for all available cable variations



Packing

Standard 250 pcs in box (d)
 Weight 2.56 g/pcs



Coding

Part Number has to be accomplished by codification

Coding	Color	RAL	Part-Number	
	A	black	sim. 9005	59Z067-000-A
	B	white	sim. 9001	59Z067-000-B
	C	blue	sim. 5005	59Z067-000-C
	D	bordeauxviolet	sim. 4004	59Z067-000-D
	E	green	sim. 6002	59Z067-000-E
	F	brown	sim. 8011	59Z067-000-F
	G	grey	sim. 7031	59Z067-000-G
	H	violet	sim. 4003	59Z067-000-H
	I	beige	sim. 1001	59Z067-000-I
	K	curry	sim. 1027	59Z067-000-K
	Z	waterblue	sim. 5021	59Z067-000-Z

Change History

Rev.	Date	Change
c00	11.05.15	Application for following connectors added:59K16B-1xx*,59K17K-1xx*
d00	18.08.15	- Packing quantity changed from "200 pcs in box" to "250 pcs in box" - Material marking PBT GF-20 changed to PBT GF-23

While the information has been carefully compiled to the best of our knowledge, nothing is intended as representation or warranty on our part and no statement herein shall be construed as recommendation to infringe existing patents. In the effort to improve our products, we reserve the right to make changes judged to be necessary.

Draft	Date	Approved	Date	Rev.	Engineering change number	Name	Date
R. Bippus	09.01.07	C. Anfang	02.11.15	d00	15-1095	T. Stockhammer	02.11.15