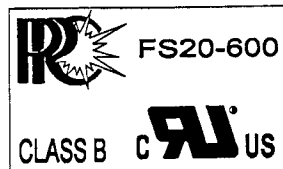


TOLERANCE UNLESS SPECIFIED = .XXX = +/- .005 .XX = +/- .015 FRACTIONS = +/- .032

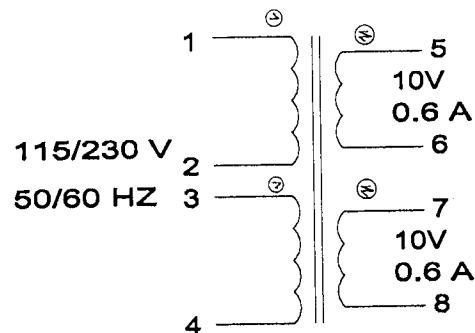
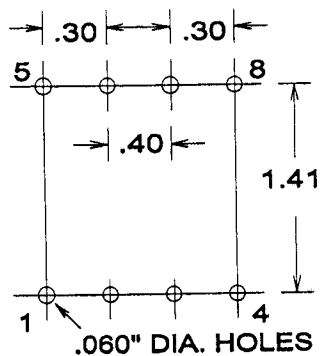
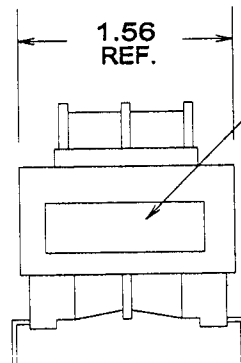
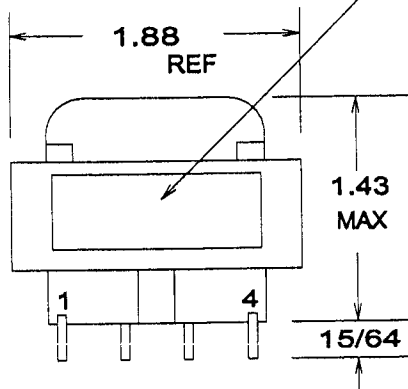
# PRODUCTION TESTS

FS20-600.DC2

YYWW = YEAR, WEEK  
XXX = SITECODE



EIA-17-YYWW  
XXX B10



URNS RATIO = 100%

DC RESISTANCE IN OHMS	1-2 = 121 TO 149
	3-4 = 139 TO 170
	5-6 = 1.2 TO 1.6
	7-8 = 1.4 TO 2.1

MAX EXCITATION CURRENT = .020 A  
APPLY = 230V 60 HZ, 1-4, TIE 2+3

OPEN CIRCUIT VOLTAGE TEST:  
230V 60 HZ, 1-4, TIE 2+3  
1-2 = 3-4 = 115V  
EACH SEC, 11.7 TO 12.3 V

HIPOT: 2500V PRI'S TO SEC'S  
1500V PRI'S, SEC'S TO CORE  
500V P-P, S-S.

IMPREGNATION NOTES = 2 HOUR PREHEAT  
PINS MUST BE FREE OF IMPREG.

## FINAL ASSEMBLY NOTES

METHOD

1 X 1

MARKING

SEE LABEL DETAIL ABOVE



PART NO.: FS20-600