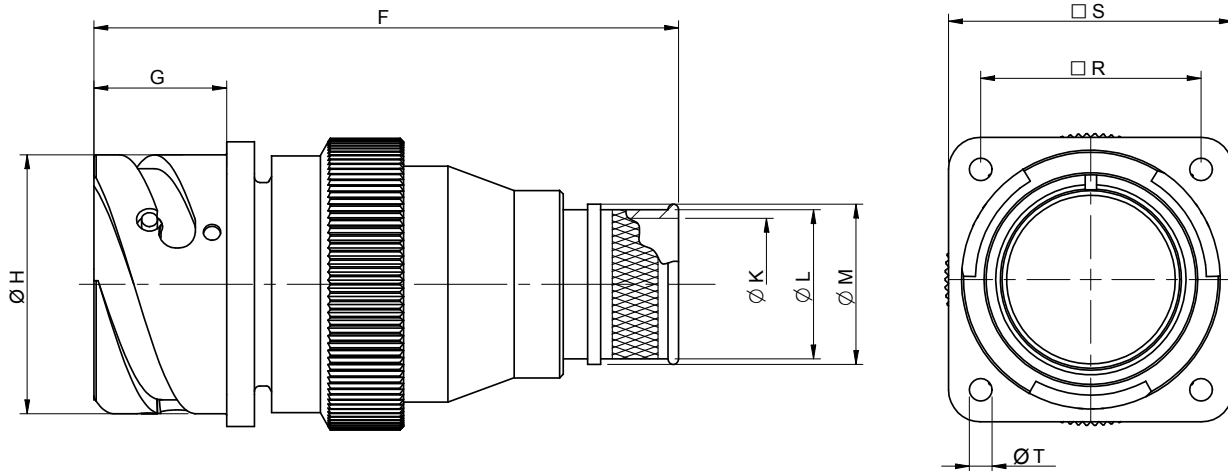


ITS 3100 A (ZLF) and ITS 4100 A (ZLF) Front Panel Mount Square Flange Receptacle Assembly with EMI/RFI Banding Backshell

ITS 31 00 A 20-27 P Y ZLF XXX

Reverse Bayonet Coupling	Mod Code Option (See Table II)
Contact Type 31 - Solder 41 - Crimp	BAND-IT Backshell
00 - Front Wall Mount	Alternate Insert Rotation (W, X, Y, Z) Omit for Normal (See Section A)
Connector/Backshell Class A - Non-Environmental; Supplied with Backshell Only R - Environmental; Supplied with Backshell and Grommet	Contact Gender P - Pin S - Socket
	Shell Size and Insert Arrangement (See Contact Arrangements, Section A)



Application Notes:

1. Front panel mount square flange receptacle with rear-end backshell for attachment of BAND-IT® EMI/RFI Shield Termination Bands. Through mounting holes.
2. Connector/Backshell Class "A" (non-environmental)—Not supplied with wire sealing grommet; Class "R" (environmental)—Supplied with backshell and grommet.
3. Standard materials configuration consists of aluminum alloy. For platings, see TABLE II finish options.
4. Standard contact material consists of copper alloy with silver plating or gold plating.
5. A broad range of additional connector accessories are available. See our website and/or contact the factory for complete information.
6. Standard insert material is synthetic rubber. Add "FR" prefix to front of part number to specify fire resistant inserts.

ITS 3100 A (ZLF) and ITS 4100 A (ZLF)
Front Panel Mount Square Flange Receptacle Assembly
with EMI/RFI Banding Backshell



TABLE I: DIMENSIONS

SIZE	F (max)	G +0.2 -0	H +0 -0.1	R ±0.1	S ±0.2	ØT +0.1 -0
10SL	54	14.3	18.2	18.25	25.4	3.2
14S	54	14.5	24.5	23	30.4	3.2
16S	54	14.5	27.2	24.6	32.5	3.2
16	66	19.1	27.2	24.6	32.5	3.2
18	66	19.1	30.7	27	35	3.2
20	67	19.1	34	29.4	38	3.2
22	67	19.6	37.3	31.75	41	3.2
24	70	20.6	40.9	34.9	44.5	3.7
28	70	20.7	46.7	39.7	50.9	3.7
32	71	22.3	53.4	44.45	57	4.3
36	71	22.3	59.6	49.2	63.5	4.3
40	71	22.3	65.5	55.55	69.9	4.3

TABLE III: ENTRY SIZE TABLE

Entry size	ØK	ØL	ØM
01	3.2	6.4	7.9
02	4.8	7.9	9.5
03	6.4	9.5	11.1
04	7.9	11.1	12.7
05	9.5	12.7	14.3
06	11.1	14.3	15.8
07	12.7	15.9	17.4
08	14.3	17.5	19.1
09	15.9	19.1	20.6
10	17.5	20.6	22.2
11	19.1	22.2	23.8
12	20.6	23.8	25.4
13	22.2	25.4	27.0
14	23.8	27.0	28.5
15	25.4	28.6	30.1
16	27.0	30.2	31.8
17	28.6	31.8	33.3
18	31.8	34.9	36.5
19	34.9	38.1	39.7
20	38.1	41.3	42.8
21	41.3	44.5	46.0
22	44.5	47.6	49.2
23	47.6	50.8	52.4
24	50.8	54.0	55.5

TABLE II: MODIFICATION CODES

CONTACT OPTIONS	
Sym	Description
B0	Connector Less Contacts
B1	Connector with Gold Plated Contacts
Omit for standard version (Silver plated)	
FINISH OPTIONS	
Sym	Description and RoHS compliant (*)
F2	Bright Nickel Plating (*)
F6	Black Electrodeposited Paint (*)
F7	Black Zn-Co Plating (*)
F8	Olive Drab Zn-Co Plating
F11	Electroless Nickel (*)
Omit for standard version (Cadmium Olive Drab Finish)	

