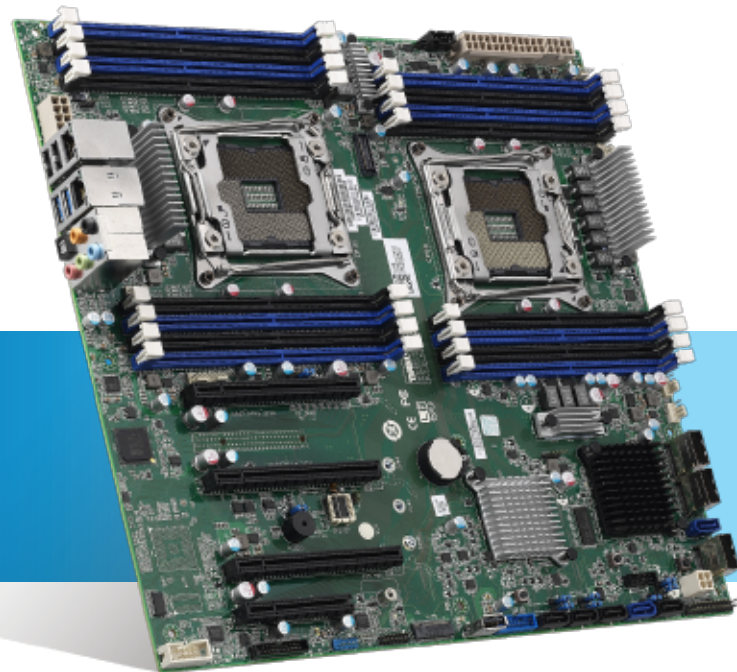
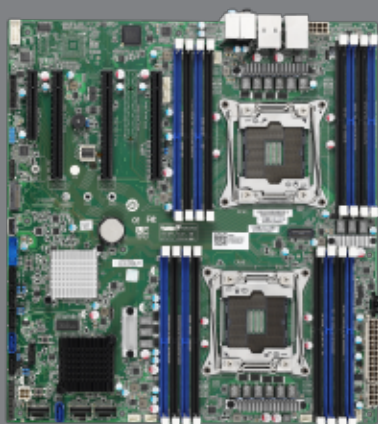


DUAL-SOCKET SERVER / WS PLATFORM



S7070

S7070WGM2NR / S7070WA2NR
S7070A2NR / S7070GM2NR



■ Intel® C612 Chipset

Dual-socket server/workstation implementation for mainstream applications

- Dual LGA2011 socket supports (2) E5-2600 v3 series processors
- Intel® C612
- (8+8) 284-pin DDR4 DIMM slots RDIMM 2133/1866/1600MHz; LRDIMM/LRDIMM 3DS 2133/1600MHz
- Support up to 512GB RDIMM/1,024GB LRDIMM/2,048GB LDRIMM 3DS
*Follow latest Intel® DDR4 Memory POR
- (3) PCI-E Gen3 x16 slots
- (1) PCI-E Gen3 x8 slots
- (8) SATA/SAS ports by (2) mini-SAS connectors running at 6.0Gb/s w/ RAID 0, 1, 1E, 10 support (-W SKU)
- (6) SATA-III + (4) SATA ports by (1) mini-SAS connector running at 6.0 Gb/s w/ RAID 0, 1, 10, 5 support
- Realtek ALC892GR audio CODEC (-A SKU)
- (2) GbE LAN (via Intel® I350-AM2)

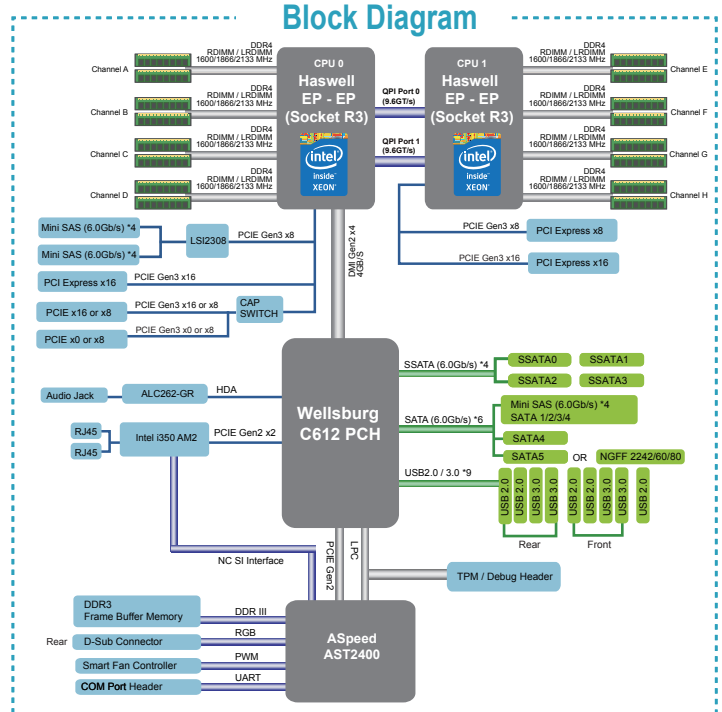


S7070

S7070WGM2NR / S7070WA2NR / S7070A2NR
S7070GM2NR

TYAN Specifications

Processor	Supported CPU Series	Intel® Xeon® Processor E5-2600 v3 series processors	
	Socket Type / Q'ty	LGA2011 / (2)	
	Thermal Design Power (TDP) wattage	Max up to 160W	
Chipset	PCH / PCI-E Switch	Intel® C612	
	Super I/O	-	
Memory	Supported DIMM Qty	(8+8) DIMM sockets	
	DIMM Type / Speed	DDR4 RDIMM 2133/1866/1600MHz DDR4 LRDIMM/LRDIMM 3DS 2133/1600MHz	
	Capacity	Up to 512GB RDIMM/1,024GB LRDIMM/2,048GB LDRIMM 3DS (*Follow latest Intel® DDR4 Memory POR)	
	Memory channel	4 Channels	
	Memory voltage	1.2V	
	Expansion Slots	PCI-E	(1) PCI-E Gen3 x8 slots(#1, CPU1) (1) PCI-E Gen3 x16 slots(#2, CPU1) (1) PCI-E Gen3 x16 slots(#4, CPU0) (1) PCI-E Gen3 x16 slots(#6, CPU0)
LAN	Recommended TYAN® Riser Card	-	
	PCI	-	
	Port Q'ty	(2) GbE ports (1 port shared with IPMI) (-MSKU)	
Storage	Controller	Intel® I350-AM2	
	SAS	Connector	(2) Mini-SAS connectors (totally support 8 ports) (-W SKU)
		Controller	LSI SAS2308
		Speed	6.0 Gb/s
	RAID	RAID 0/1/1E/10 (LSI Integrated RAID)	
	SATA	Connector	(6) SATA-III + (4) SATA ports by (1) mini-SAS connector
Controller		Intel® C612	
Speed		6.0 Gb/s	
RAID	RAID 0/1/10/5 (Intel RST)		
Graphic	Connector type	D-Sub 15-pin	
	Resolution	Up to 1920 x 1200	
	Chipset	Aspeed AST2400	
Audio	Chipset	Realtek ALC892GR audio CODEC (-A SKU)	
Input / Output	USB	(4) USB3.0 ports (2 at rear, 2 via cable) / (5) USB2.0 ports (1 stack-up ports, 1 type A header, 2 via cable)	
	COM	(1) header	
	Audio	LINE_IN, LINE_OUT, MIC_IN, SURROUND OUT, CEN/LFE OUT, SPDIF OUT (-A SKU)	
	VGA	(1) D-Sub 15-pin VGA port (-G SKU)	
	DVI	-	
	Power	SSI 24-pin + 8-pin + 8-pin power connectors	
	RJ-45	(2) GbE ports	
	PSMI	(1) 1x5-pin header	
	Front Panel	(1) 2x12-pin SSI front panel header	
	SATA	(6) SATA-III + (4) SATA ports by (1) mini-SAS connector	
	System Monitoring	Chipset	Aspeed AST2400 (-M SKU) NCT7904D
Voltage		Monitors voltage for CPU, memory, chipset & power supply	



System Monitoring	Fan	Total (7) 4-pin headers/ (1) 2 x 10-pin headers
	Temperature	Monitors temperature for CPU & system environment (-M SKU) Monitors temperature for CPU & memory environment
	LED	Over temperature warning indicator / Fan & PSU fail LED indicator
	Others	Watchdog timer support
	Onboard Chipset	Onboard Aspeed AST2400
	AST2400 IPMI Feature	IPMI 2.0 compliant baseboard management controller (BMC) / Supports storage over IP and remote platform-flash / USB 2.0 virtual hub
BIOS	AST2400 iKVM Feature	24-bit high quality video compression / 10/100 Mb/s MAC interface
	Brand / ROM size	AMI / 16MB
Form Factor	Feature	User-configurable H/W monitoring / SMBIOS 2.7/PnP/Wake on LAN / PXE boot support / ACPI 3.0/ACPI sleeping states S4,S5
	Form Factor	SSI EEB
Operating System	Board Dimension	12"x13" (305x330mm)
	OS supported list	Please refer to our Intel OS supported list.
Regulation	FCC (DoC)	Class A
	CE (DoC)	Yes
Operating Environment	Operating Temp.	10° C ~ 35° C (50° F~ 95° F)
	Non-operating Temp.	-40° C ~ 70° C (-40° F ~ 158° F)
	In/Non-operating Humidity	90%, non-condensing at 35° C Non-operating Relative Humidity: 10% to 95% (non-condensing)
RoHS	RoHS 6/6 Compliant	Yes

(Specifications are subject to change without notice. Items pictured may only be representative.)

MITAC INTERNATIONAL CORP.
TYAN Business Unit

USA
Tel: +1-510-651-8868
Fax: +1-510-651-7688

Taiwan
Tel: +886-2-2652-5888
Fax: +886-2-2652-5805

Japan
Tel: +81-3-3769-8311
Fax: +81-3-3769-8328

Europe
Sales: +32 2456 1721
Technical Support: +32 2456 1722

China
Shanghai Tel: +86-21-61431188 Ext 1366
China Tel: +86-010-62555015 Ext 8302