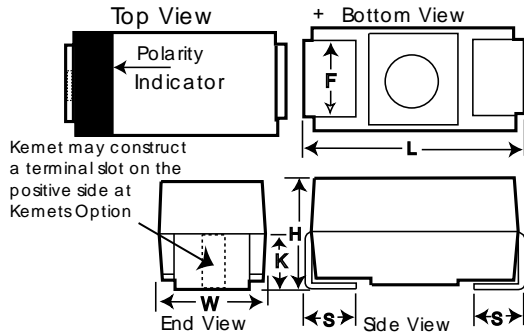


KEMET Part Number: T491D106K035ZT
(B45196E6106K409)

Capacitor, Tantalum, SMD, Molded, 10 uF, 7343, +/-10% Tol, 35V@85C



Dimensions (mm)		
Symbol	Dimension	Tolerance
L	7.3	+/-0.3
W	4.3	+/-0.3
H	2.8	+/-0.3
K	1.8	typ
F	2.4	+/-0.1
S	1.3	+/-0.3

Notes:

-In polarity stripe, at KEMET's option, type may be indicated: see catalog for explanation of symbols

-Old part number [Obsolete] was B45196E6106K409

General Information

Supplier:	KEMET
Part Type Description:	SMD, Molded
Construction:	Standard Chip-MnO2
Miscellaneous Electrical:	Closest Kemet Original Series Equivalent: T491D106K035AT

Specifications

Capacitance:	10 uF
Voltage DC @ 85C:	35V
Voltage DC @ 105C:	29.23V
Voltage DC @ 125C:	23.45V
Tolerance:	+/-10%
Application:	General Purpose
Temperature Range:	-55/+125C
Body Type:	Molded Chip
Footprint:	7343
Termination:	Tin
RoHS:	Yes
Leakage Current:	3.5 uA
Dissipation Factor:	6%
Impedance @ 100kHz:	1 Ohm

Packaging Specifications

Package Kind:	T&R
Package Size:	7in
Package Quantity:	750