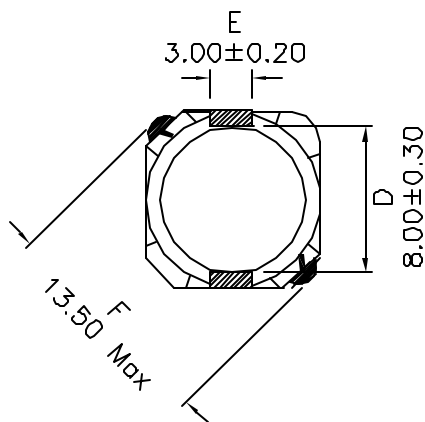
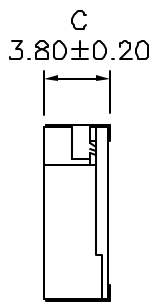
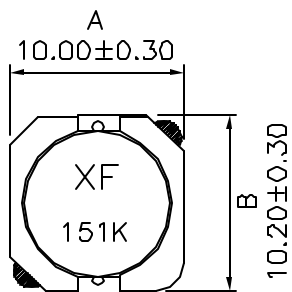
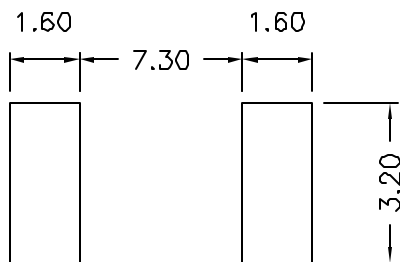


## 1. Mechanical Dimensions:

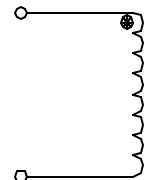


(Bottom View)



Suggested Pad Layout

## 2. Schematic:



## 3. Electrical Specification:

OCL: 150uH ± 10% @ 100KHz 0.1V

Q: 35 Min @ 100KHz 0.1V

IDC: 1.15A (OCL drop in 35% Typ)

DCR: 0.506 Ohms Max

### Notes:

1. Solderability: Leads shall meet MIL-STD-202G, Method 208H for solderability.
2. Flammability: UL94V-0
3. ASTM oxygen index: > 28%
4. Insulation System: Class F 155°C. UL file E151556
5. Operating Temperature Range: All listed parameters are to be within tolerance from -40°C to +85°C
6. Storage Temperature Range: -55°C to +125°C
7. Aqueous wash compatible
8. SMD Lead Coplanarity: ±0.004" (0.102mm)
9. Electrical and mechanical specifications 100% tested
10. RoHS Compliant Component

DOC REV: A/1

<b>XFMRs Inc.</b> www.XFMRS.com	Title: HIGH CURRENT SELF-LEADED SMT INDUCTORS		
	P/N: XFTPRH104-151K	REV. A	
UNLESS OTHERWISE SPECIFIED TOLERANCES: .xx ±0.25 Dimensions in MM	DWN.	Xianyì	Aug-21-08
	CHK.	YK Liao	Aug-21-08
SHEET 1 OF 1	APP.	BW	Aug-21-08