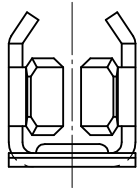
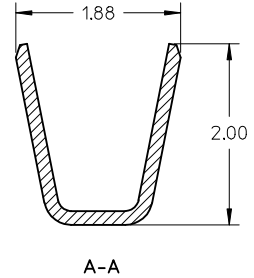
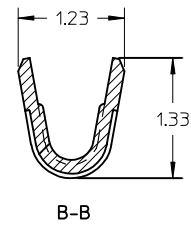
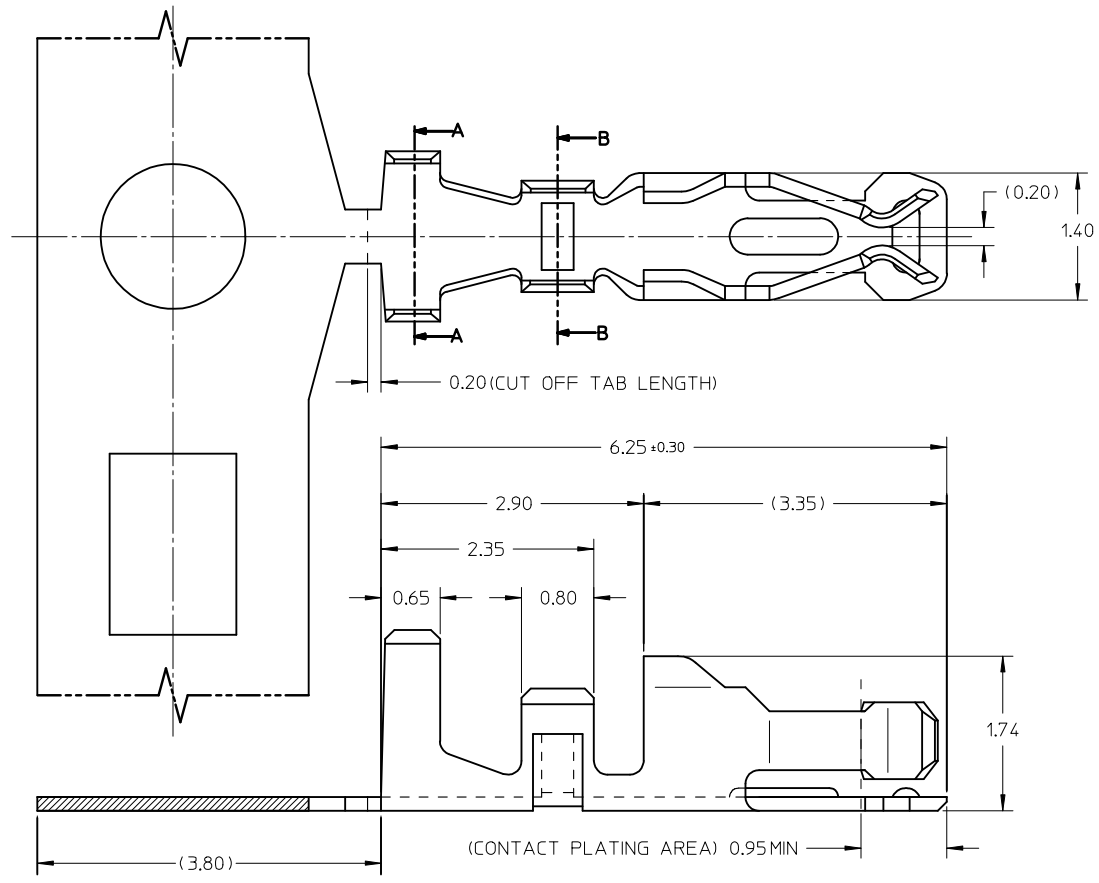


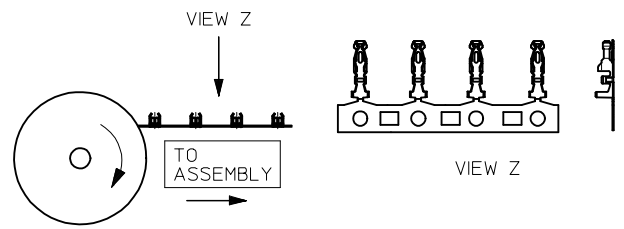
10 9 8 7 6 5 4 3 2 1

ENG. NO.		CONTACT PLATING (NICKEL OVERALL 2μm MIN)
FORM: LOOSE	FORM: CHAIN	
50394-8100	50394-8051	0.384μm GOLD MIN
50394-8200	50394-8052	0.764μm GOLD MIN
50394-8400	50394-8054	GOLD FLASH 0.05-0.1254μm
50394-8500	50394-8055	2.504μm MATTE TIN MIN



- NOTES :
1. APPLICABLE HOUSING : 51110-\*\*\*1  
: 51110-\*\*5\*  
: 151100-00\*\*

WINDING DIRECTION



ADD TIN PLATING EC NO: S2016-0736 DRW:NFC500 CHKD:CGOH APPR:KHLIM	2016/02/17	DESCRIPTION	QUALITY SYMBOLS	GENERAL TOLERANCES (UNLESS SPECIFIED)		DIMENSION STYLE		SCALE	DESIGN UNITS	THIRD ANGLE PROJECTION
	2016/02/14		mm	INCH	MM ONLY	NTS	METRIC			
REV	B2		$\nabla F=0$ $\nabla E=0$ $\nabla D=0$	4 PLACES ± --- ± --- 3 PLACES ± --- ± --- 2 PLACES ± 0.20 ± --- 1 PLACE ± --- ± --- 0 PLACE ± --- ± ---	DRAWN BY: S.Q DATE: 1994/04/20 CHECKED BY: EDPOH DATE: 1994/04/27 APPROVED BY: LBLEE DATE: 2013/11/13	TITLE: SALES DRAWING 2.0MM GRID W TO B CONN. CRIMP TERMINAL		MATERIAL NO. SEE TABLE DOCUMENT NO. SD-50394-8XXX SHEET NO. 1 OF 1		

ANGULAR ± 3 °  
DRAFT WHERE APPLICABLE MUST REMAIN WITHIN DIMENSIONS

THIS DRAWING CONTAINS INFORMATION THAT IS PROPRIETARY TO MOLEX INCORPORATED AND SHOULD NOT BE USED WITHOUT WRITTEN PERMISSION

9 8 7 6 5 4 3 2 1