

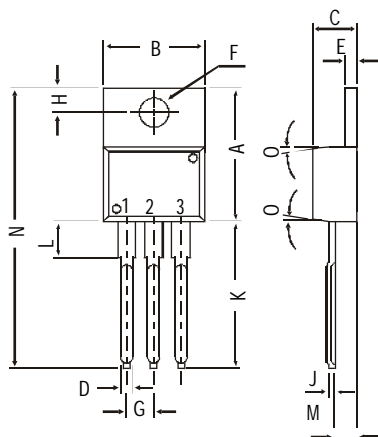
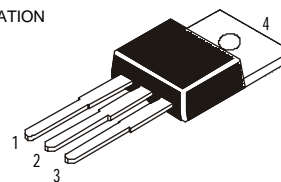
TO-220 Plastic Package

**2N6486, 2N6487, 2N6488
2N6489, 2N6490, 2N6491**

*2N6486, 6487, 6488 NPN PLASTIC POWER TRANSISTORS
2N6489, 6490, 6491 PNP PLASTIC POWER TRANSISTORS
General Purpose Amplifier and Switching Applications*

PIN CONFIGURATION

- 1. BASE
- 2. COLLECTOR
- 3. EMITTER
- 4. COLLECTOR



DIM	MIN.	MAX.
A	14.42	16.51
B	9.63	10.67
C	3.56	4.83
D		0.90
E	1.15	1.40
F	3.75	3.88
G	2.29	2.79
H	2.54	3.43
J		0.56
K	12.70	14.73
L	2.80	4.07
M	2.03	2.92
N		31.24
O	DEG 7	

All dimensions in mm.

ABSOLUTE MAXIMUM RATINGS

		6486	6487	6488	
		6489	6490	6491	
Collector-base voltage (open emitter)	V_{CBO} max.	50	70	90	V
Collector-emitter voltage (open base)	V_{CEO} max.	40	60	80	V
Collector current	I_C max.		15		A
Total power dissipation up to $T_C = 25^\circ C$	P_{tot} max.		75		W
Junction temperature	T_j max.		150		$^\circ C$
Collector-emitter saturation voltage	V_{CEsat} max.		1.3		V
$I_C = 5 A; I_B = 0.5 A$					
D.C. current gain	h_{FE} min.		20		
	h_{FE} max.		150		
$I_C = 5 A; V_{CE} = 4 V$					

RATINGS (at $T_A=25^\circ C$ unless otherwise specified)

		6486	6487	6488	
		6489	6490	6491	
Collector-base voltage (open emitter)	V_{CBO} max.	50	70	90	V
Collector-emitter voltage (open base)	V_{CEO} max.	40	60	80	V
Emitter-base voltage (open collector)	V_{EBO} max.		5.0		V

**2N6486, 2N6487, 2N6488
2N6489, 2N6490, 2N6491**

Collector current	I_C	max.	15	A
Base current	I_B	max.	5.0	A
Total power dissipation up to $T_C = 25^\circ\text{C}$	P_{tot}	max.	75	W
Derate above 25°C		max.	0.6	$W^\circ\text{C}$
Total power dissipation up to $T_A = 25^\circ\text{C}$	P_{tot}	max.	1.8	W
Derate above 25°C		max.	0.014	$W^\circ\text{C}$
Junction temperature	T_j	max.	150	$^\circ\text{C}$
Storage temperature	T_{stg}		-65 to +150	$^\circ\text{C}$

THERMAL RESISTANCE

From junction to ambient	$R_{th\ j-a}$		70	$^\circ\text{C/W}$
From junction to case	$R_{th\ j-c}$		1.67	$^\circ\text{C/W}$

CHARACTERISTICS

$T_{amb} = 25^\circ\text{C}$ unless otherwise specified

**6486 6487 6488
6489 6490 6491**

Collector cutoff current				
$I_B = 0; V_{CE} = 20\text{ V}$	I_{CEO}	max.	1.0	- - mA
$I_B = 0; V_{CE} = 30\text{ V}$	I_{CEO}	max.	- 1.0	- mA
$I_B = 0; V_{CE} = 40\text{ V}$	I_{CEO}	max.	- - 1.0	mA
$V_{EB(off)} = 1.5\text{ V}; V_{CE} = 45\text{ V}$	I_{CEX}	max.	500	- - μA
$V_{EB(off)} = 1.5\text{ V}; V_{CE} = 65\text{ V}$	I_{CEX}	max.	- 500	- μA
$V_{EB(off)} = 1.5\text{ V}; V_{CE} = 85\text{ V}$	I_{CEX}	max.	- - 500	μA
$V_{EB(off)} = 1.5\text{ V}; V_{CE} = 40\text{ V}; T_C = 150^\circ\text{C}$	I_{CEX}	max.	5.0	- - mA
$V_{EB(off)} = 1.5\text{ V}; V_{CE} = 60\text{ V}; T_C = 150^\circ\text{C}$	I_{CEX}	max.	- 5.0	- mA
$V_{EB(off)} = 1.5\text{ V}; V_{CE} = 80\text{ V}; T_C = 150^\circ\text{C}$	I_{CEX}	max.	- - 5.0	mA
Emitter cut-off current				
$I_C = 0; V_{EB} = 5\text{ V}$	I_{EBO}	max.	1.0	mA
Breakdown voltages				
$I_C = 200\text{ mA}; I_B = 0$	$V_{CEO(sus)}^*$	min.	40 60 80	V
$I_C = 1\text{ mA}; I_E = 0$	V_{CBO}	min.	50 70 90	V
$I_C = 200\text{ mA}; V_{BE} = 1.5\text{ V}$	$V_{CEX(sus)}^*$	min.	50 70 90	V
$I_E = 1\text{ mA}; I_C = 0$	V_{EBO}	min.	5.0	V
Saturation voltages				
$I_C = 5\text{ A}; I_B = 0.5\text{ A}$	V_{CEsat}^*	max.	1.3	V
$I_C = 15\text{ A}; I_B = 5\text{ A}$	V_{CEsat}^*	max.	3.5	V
Base-emitter on voltage				
$I_C = 5\text{ A}; V_{CE} = 4\text{ V}$	$V_{BE(on)}^*$	max.	1.3	V
$I_C = 15\text{ A}; V_{CE} = 4\text{ V}$	$V_{BE(on)}^*$	max.	3.5	V
D.C. current gain				
$I_C = 5\text{ A}; V_{CE} = 4\text{ V}$	h_{FE}^*	min.	20	
		max.	150	
$I_C = 15\text{ A}; V_{CE} = 4\text{ V}$	h_{FE}^*	min.	5.0	
Transition frequency				
$I_C = 1\text{ A}; V_{CE} = 4\text{ V}; f = 1\text{ MHz}$	$f_T(1)$	min.	5.0	MHz
Small signal current gain				
$I_C = 1.0\text{ A}; V_{CE} = 4\text{ V}; f = 1.0\text{ KHz}$	h_{fe}	min.	25	

* Pulse test: pulse width $\leq 300\ \mu\text{s}$; duty cycle $\leq 2\%$

(1) $f_T = |h_{fe}| \cdot f_{test}$

Notes

Disclaimer

The product information and the selection guides facilitate selection of the CDIL's Discrete Semiconductor Device(s) best suited for application in your product(s) as per your requirement. It is recommended that you completely review our Data Sheet(s) so as to confirm that the Device(s) meet functionality parameters for your application. The information furnished on the CDIL Web Site/ CD is believed to be accurate and reliable. CDIL however, does not assume responsibility for inaccuracies or incomplete information. Furthermore, CDIL does not assume liability whatsoever, arising out of the application or use of any CDIL product; neither does it convey any license under its patent rights nor rights of others. These products are not designed for use in life saving/support appliances or systems. CDIL customers selling these products (either as individual Discrete Semiconductor Devices or incorporated in their end products), in any life saving/support appliances or systems or applications do so at their own risk and CDIL will not be responsible for any damages resulting from such sale(s).

CDIL strives for continuous improvement and reserves the right to change the specifications of its products without prior notice.



CDIL is a registered Trademark of
Continental Device India Limited

C-120 Naraina Industrial Area, New Delhi 110 028, India.
Telephone + 91-11-2579 6150, 5141 1112 Fax + 91-11-579 5290, 5141 1119
email@cdil.com www.cdilsemi.com