

## DETAILS

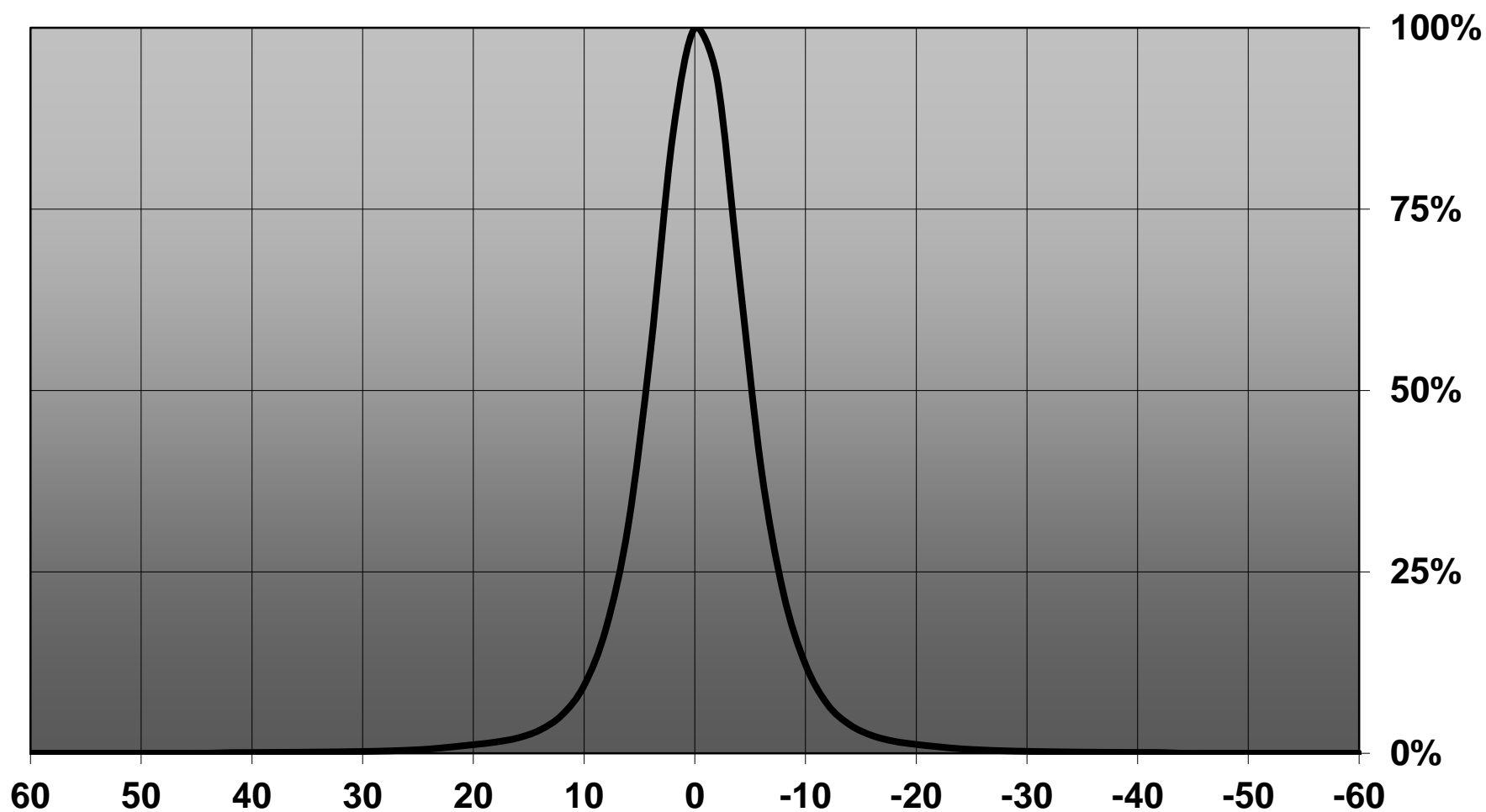
<b>Product Number</b>	CA14508_G2-LXP2-D
<b>Family</b>	Leila
<b>Type</b>	Assembly
<b>Color</b>	black
<b>Diameter</b>	21,8 mm
<b>Height</b>	14,7 mm
<b>Style</b>	round
<b>Optic Material</b>	
<b>Holder Material</b>	
<b>Fastening</b>	tape
<b>Status</b>	production ready
<b>ROHS Compliant</b>	Yes
<b>Date Updated</b>	23/02/2015



## OPTICAL PROPERTIES

LED	Viewing	Light	Effi-		Connector
	Angle	Beam	ciency	cd/lm	
XP-E	9.7 deg	Diffuser	88 %	19.850	-
XP-L	17 deg	Diffuser	83 %	5.900	-
XP-L HI	12 deg	Diffuser	85 %	9.400	-
XP-G2	sim: 11	Diffuser	sim: 93 %	sim: 18.000-	
XT-E	sim: 11	Diffuser	sim: 90 %	sim: 16.400-	
H35C1 (LEMWA33)	sim: 12	Diffuser	sim: 92 %	sim: 15.700-	
NVSxx19B/NVSxx19C	sim: 12	Diffuser	sim: 88 %	sim: 12.300-	
LH351B	sim: 12	Diffuser	sim: 90 %	sim: 13.000-	
LH351A(3535)	sim: 11	Diffuser	sim: 91 %	sim: 16.300-	
Z5P	sim: 10	Diffuser	sim: 92 %	sim: 17.400-	
Z5M1/Z5M2	sim: 12	Diffuser	sim: 93 %	sim: 15.800-	

Relative intensity of CA14508\_G2-LXP2-D\_(XP-E)



D

C

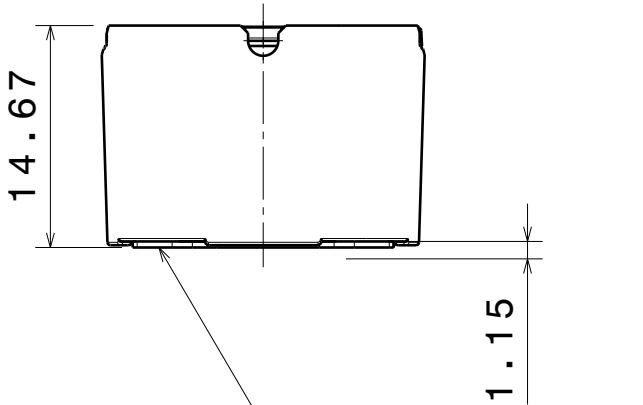
B

A

Applies to:
CA14504
CA14506
CA14508
CA14510
CA14512

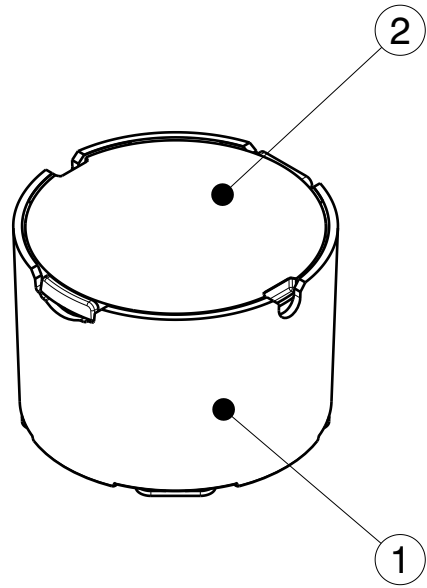
4

4



Front view

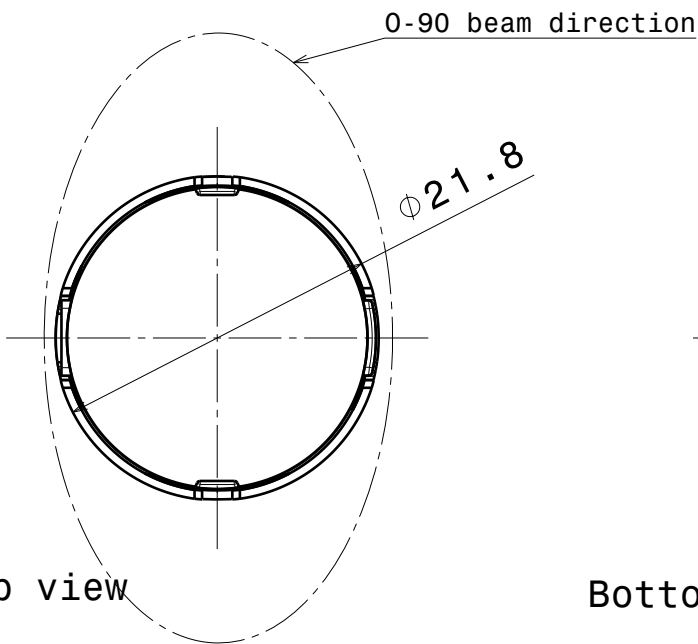
PU foam tape 0.4mm



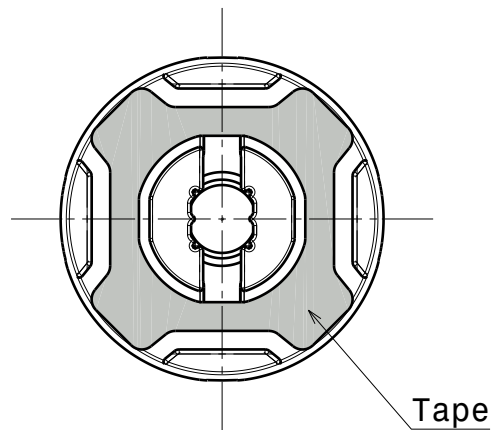
Isometric view

3

3



Top view



Bottom view

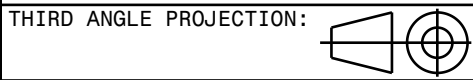
2

2

INDEX	PART NO	DESCRIPTION	MATERIAL	COLOUR
1	C14444	LXP2-LT-HLD	PC	black
2	-	LXP2-series_mech lens	PMMA	clear

Tolerances if not otherwise shown  
 According to DIN ISO 2768-1  
 Linear measures:  
 up to 30mm class M, otherwise class C  
 According to DIN ISO 2768-2  
 Form and position: class L

**LEDiL** LediL Oy  
 Salorankatu 10  
 FIN 24240 SALO  
 Finland



THIRD ANGLE PROJECTION:

DRAWING TITLE

LEILA-G2-LXP2

This drawing is the property  
 of LEDiL Oy. It may not be  
 reproduced, copied or  
 communicated without a written  
 agreement with LEDiL Oy.

SIZE	PART NUMBER
A4	-

SCALE	2:1	WEIGHT	4,0 g	SHEET	1/1
-------	-----	--------	-------	-------	-----

1

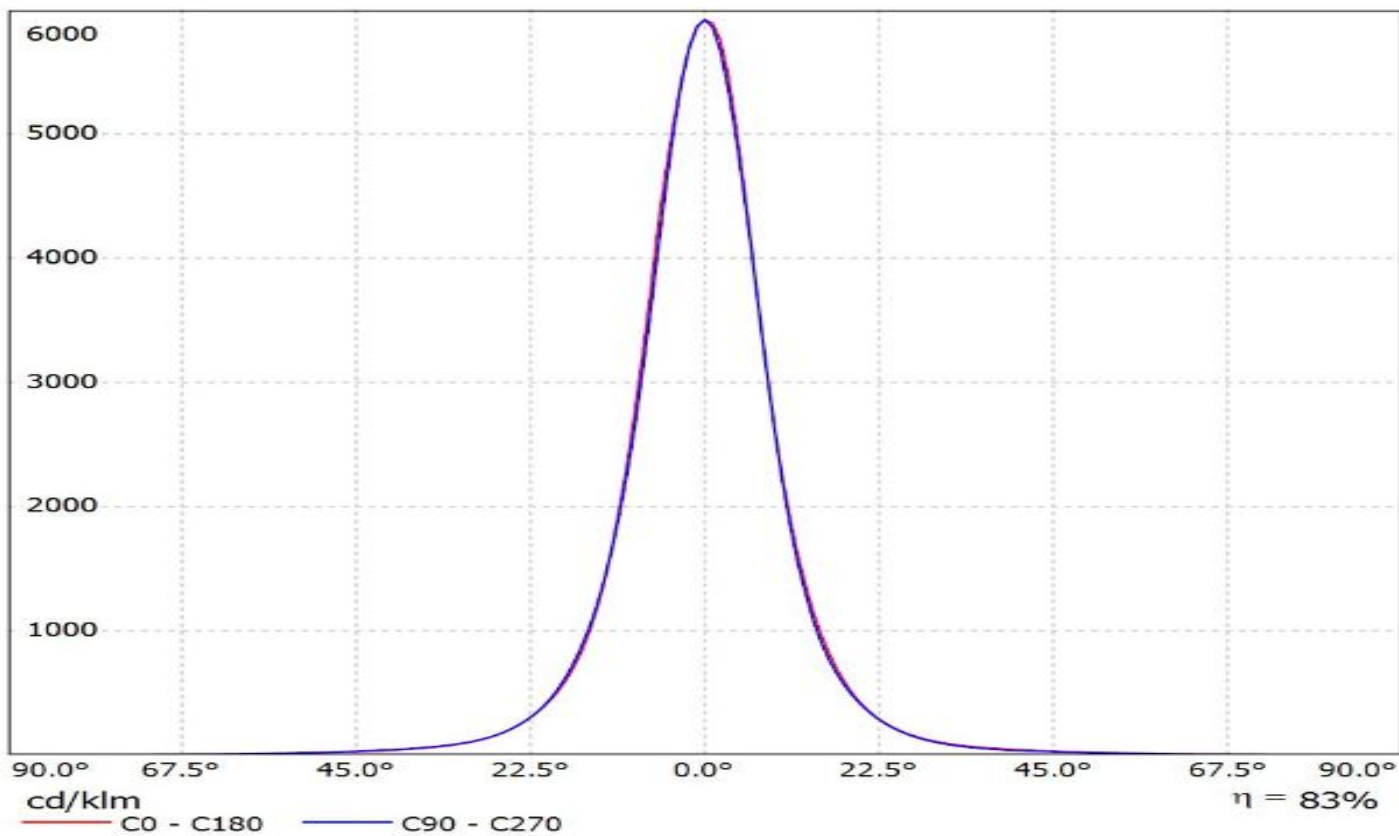
1

D

A

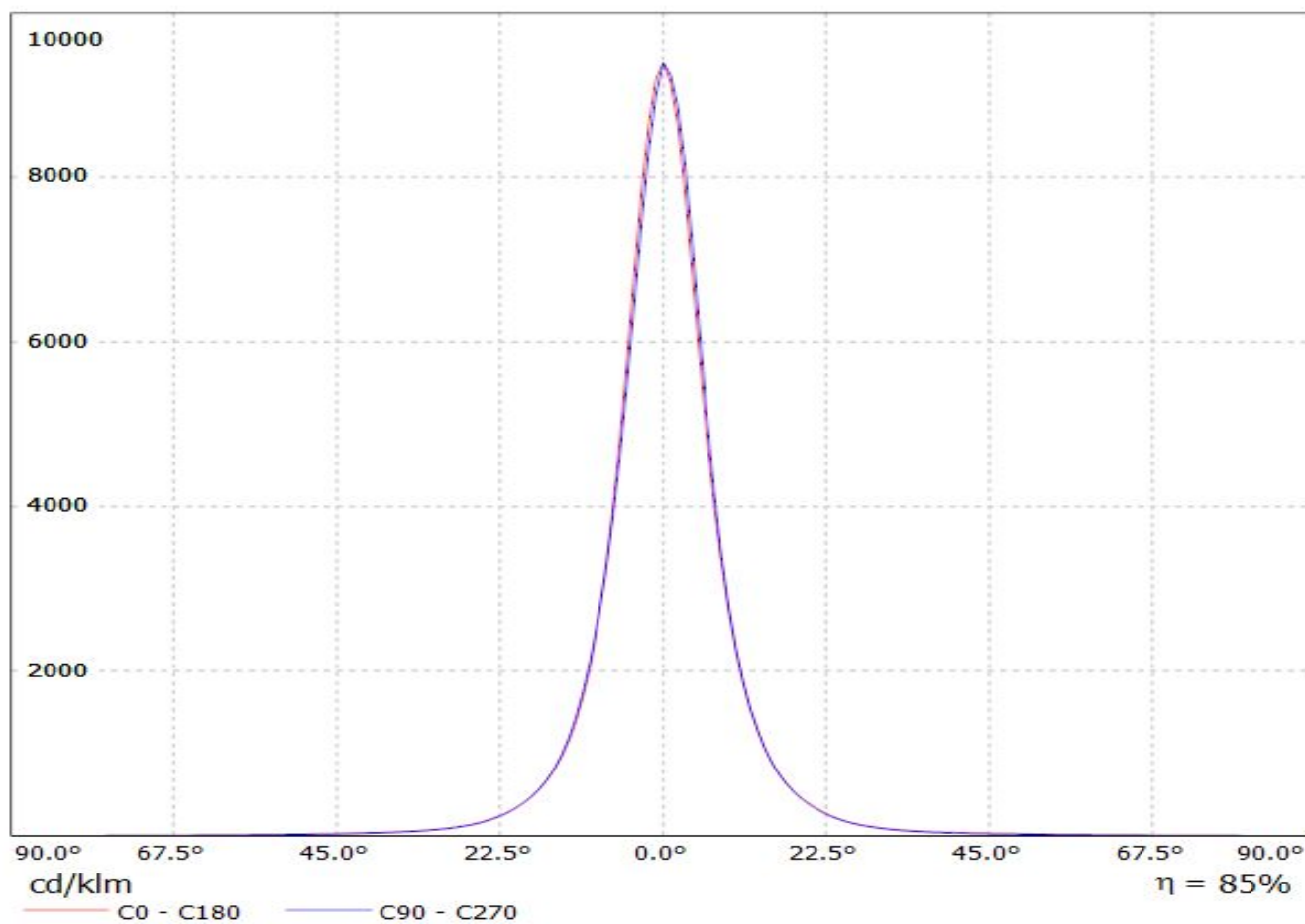
# Ledil CA14508\_G2-LXP2-D\_(XP-L) / LDC (Linear)

Luminaire: Ledil CA14508\_G2-LXP2-D\_(XP-L)  
Lamps: 1 x CREE\_XP-L\_(XPLAWT-0-7A3-U50-0H-0001)  
\_107.852lm@250mA\_CCT=3185K\_P=0.7W\_I=0.25A

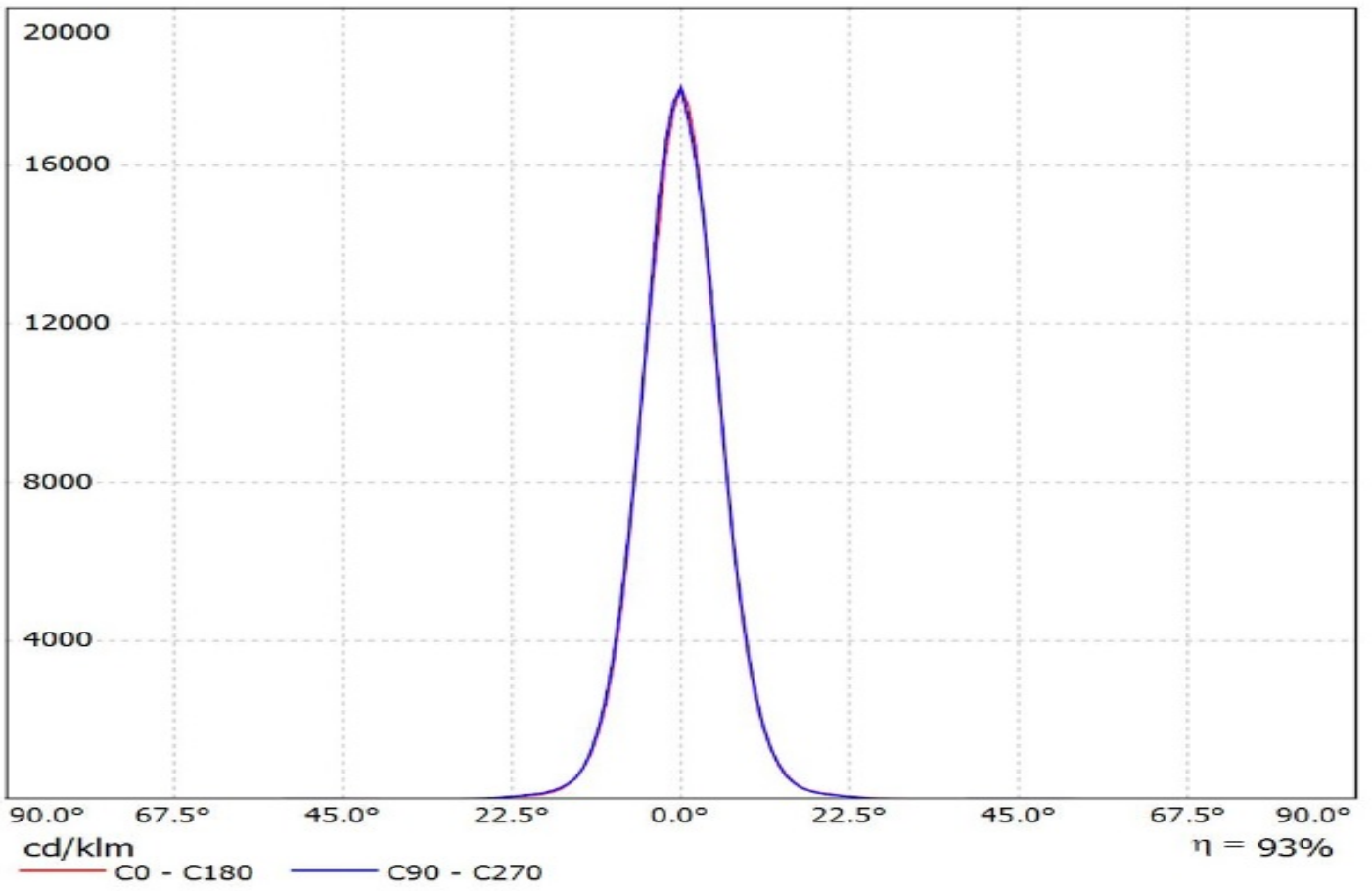


Luminaire: Ledil CA14508\_G2-LXP2-D\_(XP-L\_HI)

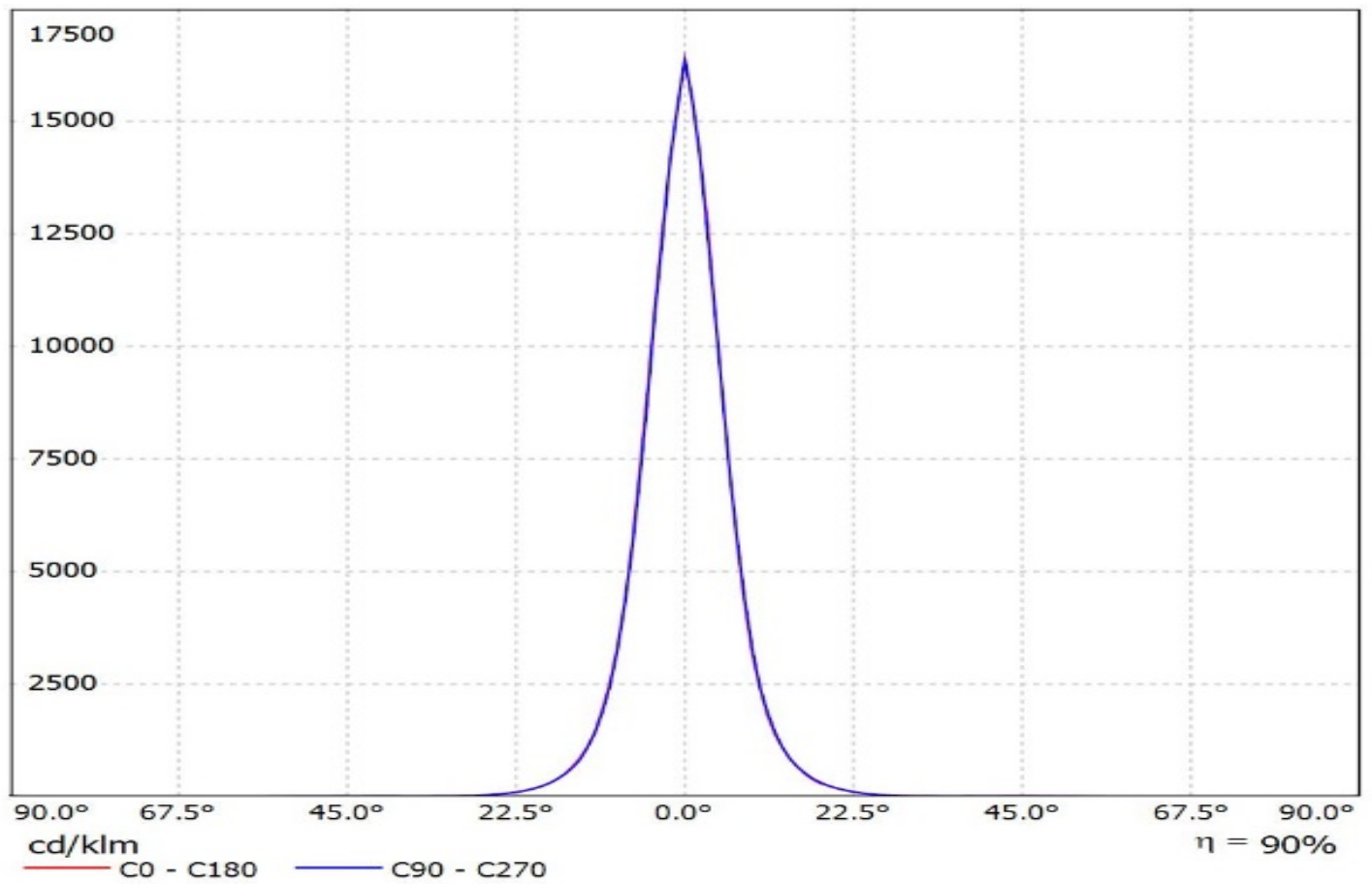
Lamps: 1 x CREE\_XP-L\_HI\_116.971lm@250mA\_P=0.75W\_I=0.25A



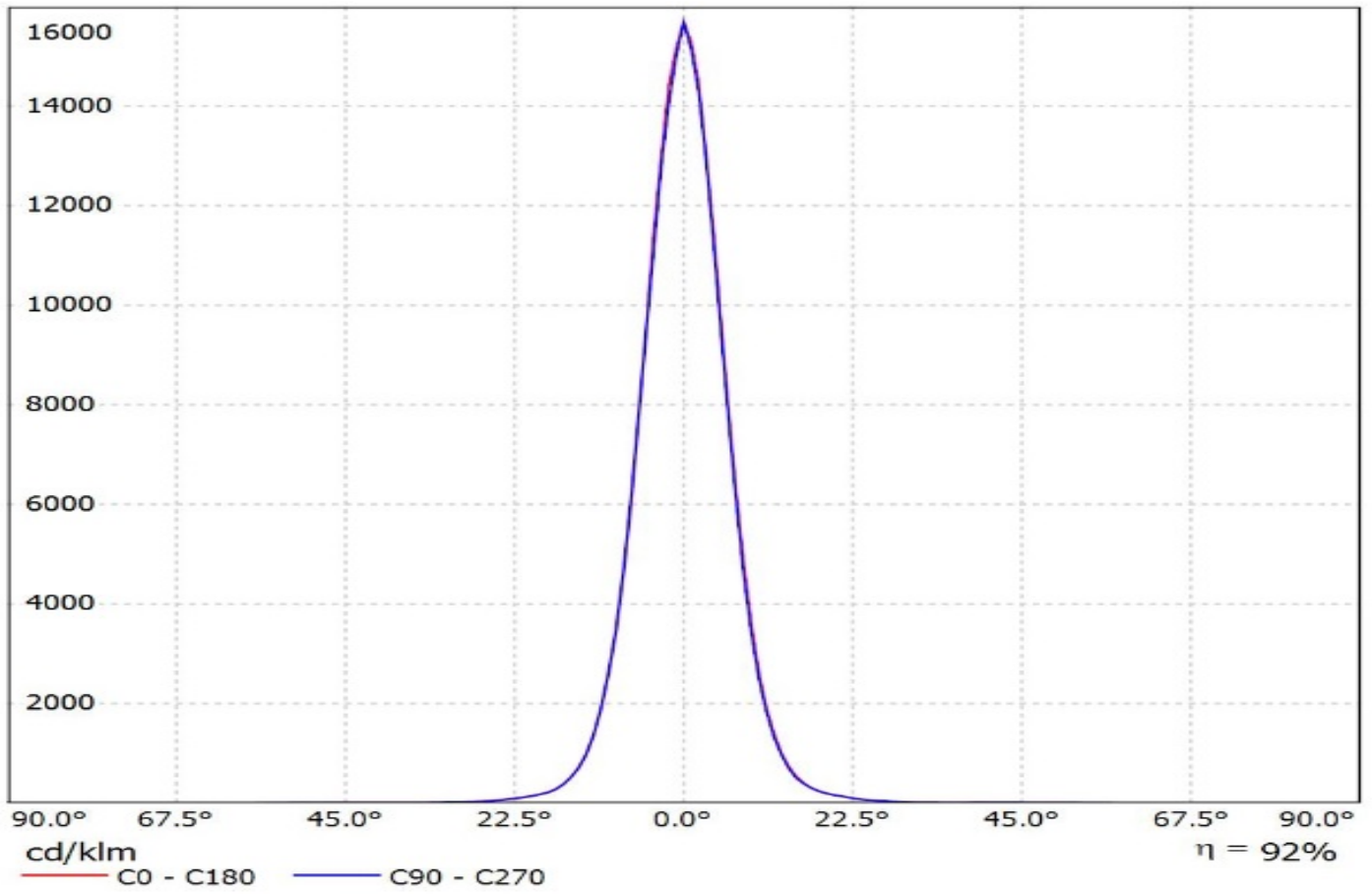
Luminaire: Ledil Oy CA14508\_G2-LXP2-D\_(XP-G2)\_SIMULATED  
Lamps: 1 x Cree XP-G2



Luminaire: Ledil Oy CA14508\_G2-LXP2-D\_(XT-E)\_SIMULATED  
Lamps: 1 x Cree XT-E

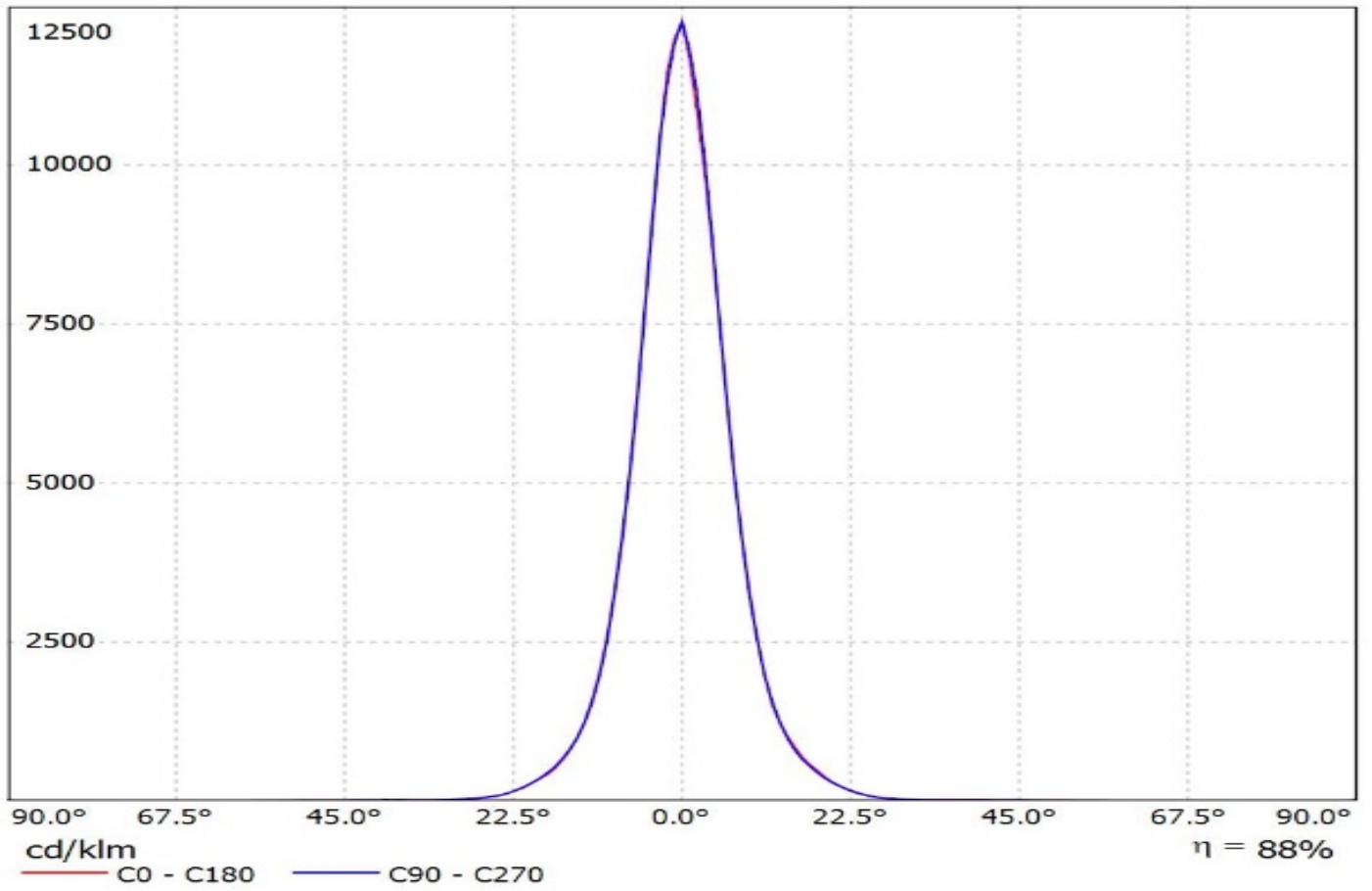


Luminaire: Ledil Oy CA14508\_G2-LXP2-D\_(LG\_H35C1)\_SIMULATED  
Lamps: 1 x LG H35C1



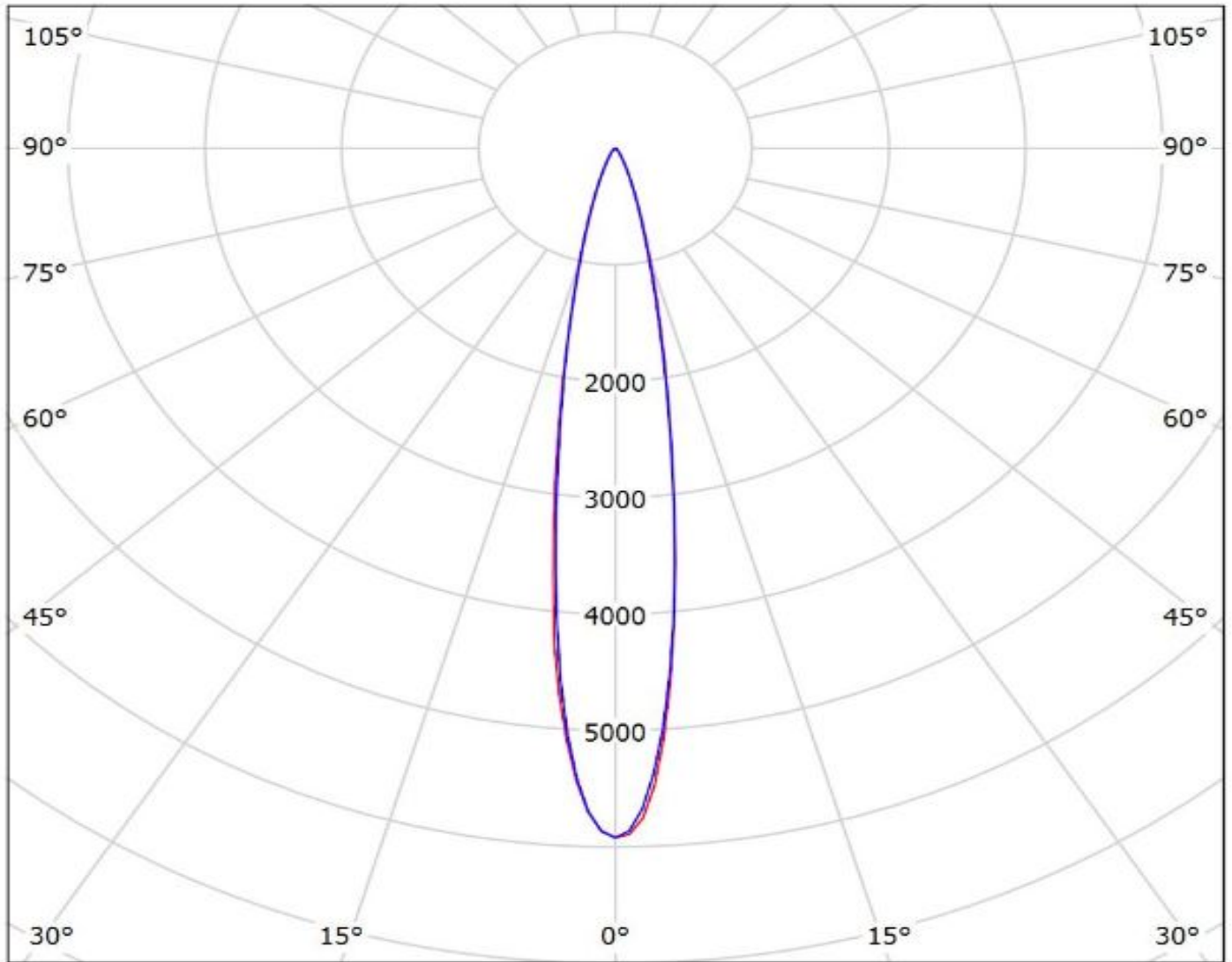


Luminaire: Ledil Oy CA14508\_G2-LXP2-D\_(NVSxx19B)\_SIMULATED  
Lamps: 1 x Nichia NVSxx19V (NVSW219B)



# Ledil CA14508\_G2-LXP2-D\_(XP-L) / LDC (Polar)

Luminaire: Ledil CA14508\_G2-LXP2-D\_(XP-L)  
Lamps: 1 x CREE\_XP-L\_(XPLAWT-0-7A3-U50-0H-0001)  
\_107.852lm@250mA\_CCT=3185K\_P=0.7W\_I=0.25A



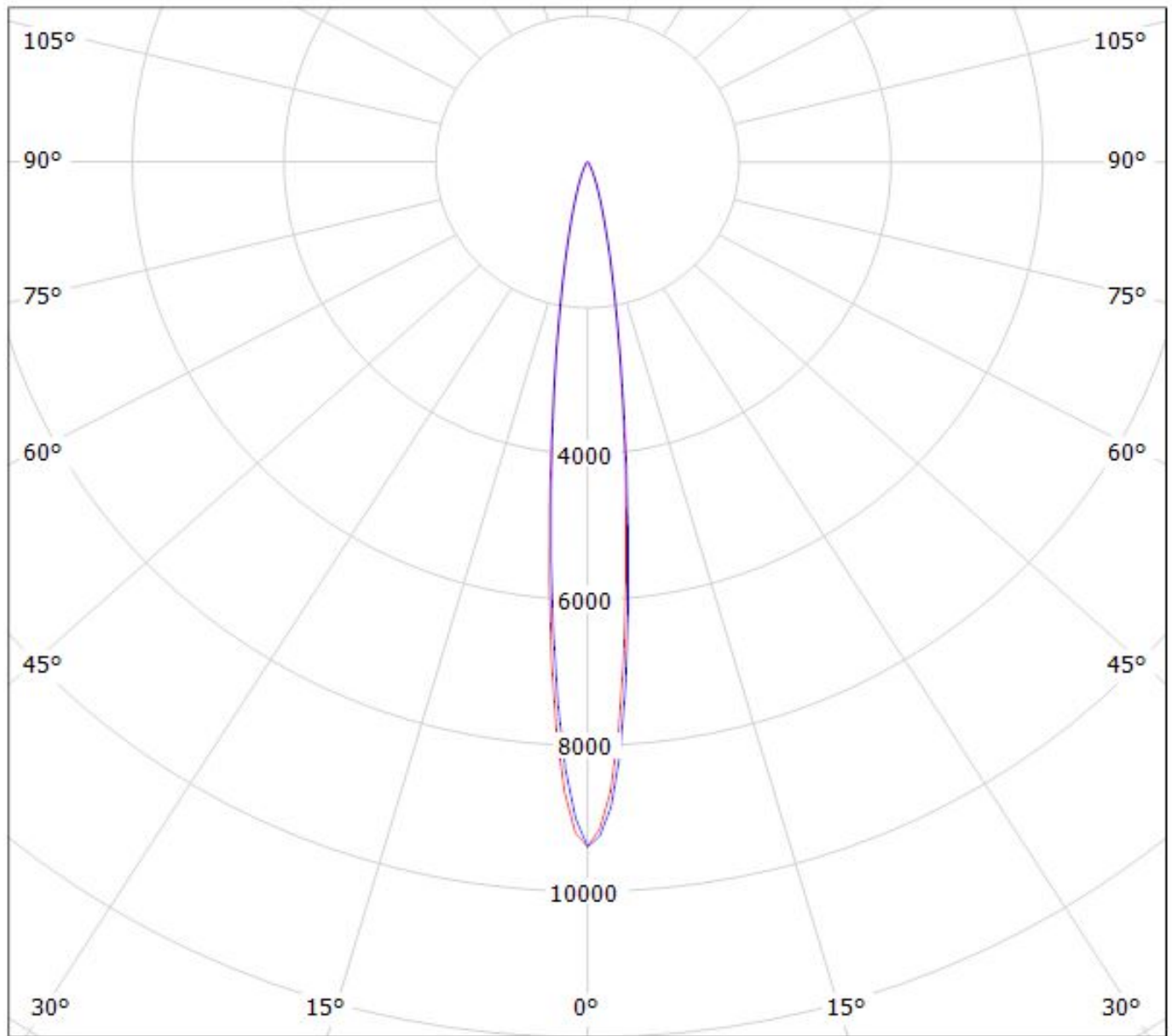
cd/klm

— C0 - C180 — C90 - C270

$\eta = 83\%$

Luminaire: Ledil CA14508\_G2-LXP2-D\_(XP-L\_HI)

Lamps: 1 x CREE\_XP-L\_HI\_116.971lm@250mA\_P=0.75W\_I=0.25A



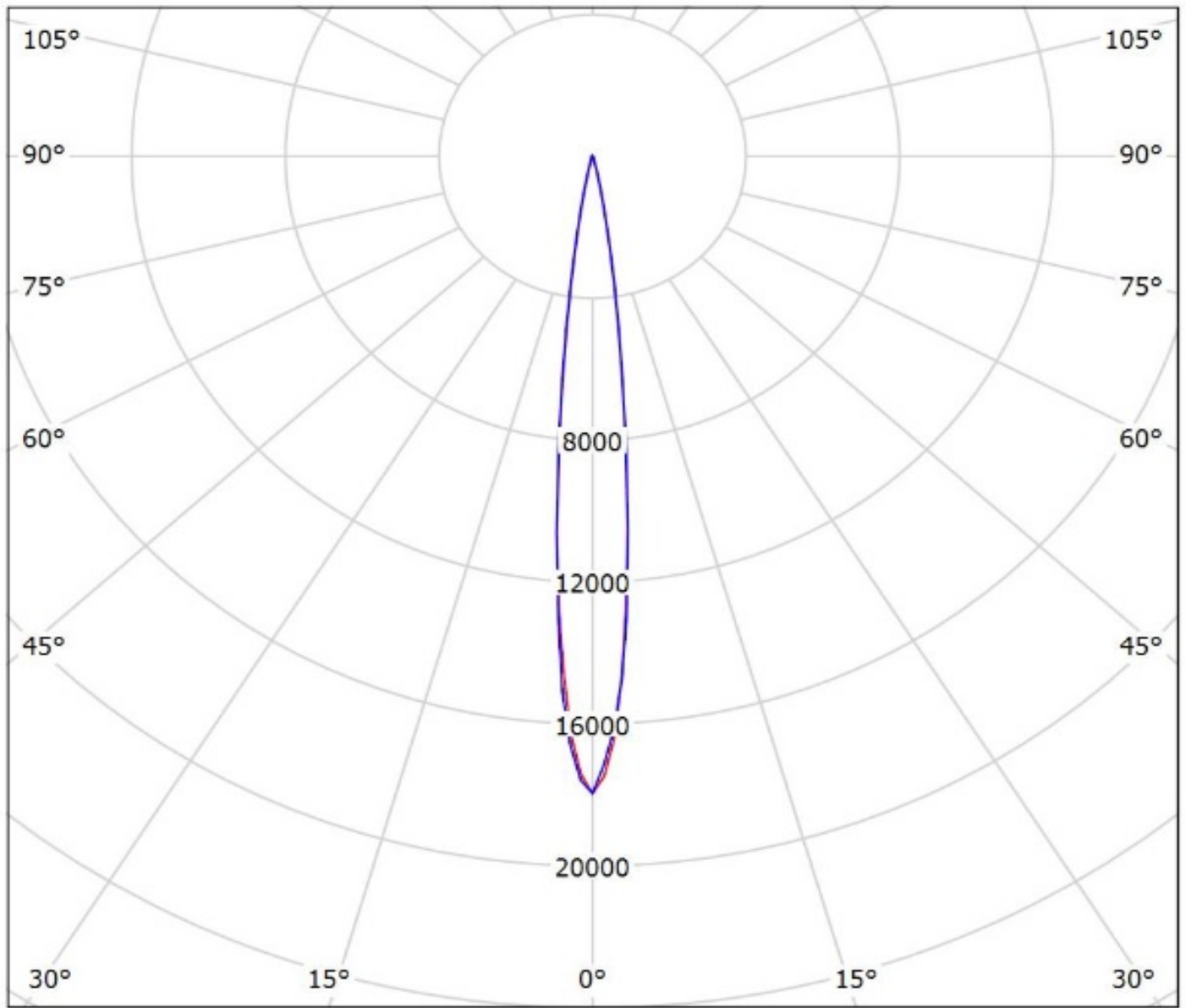
cd/klm

— C0 - C180

— C90 - C270

$\eta = 85\%$

Luminaire: Ledil Oy CA14508\_G2-LXP2-D\_(XP-G2)\_SIMULATED  
Lamps: 1 x Cree XP-G2

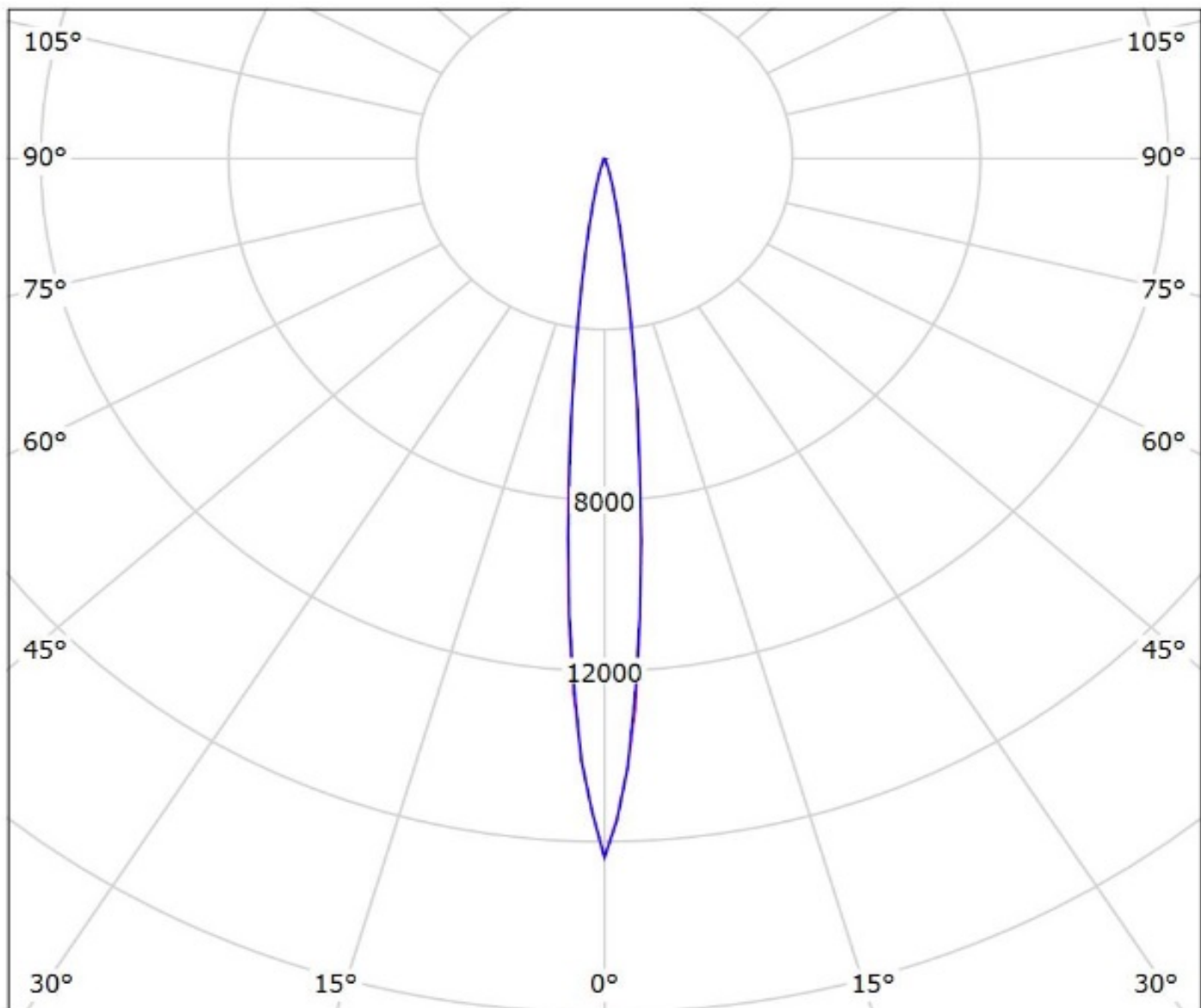


cd/klm

— C0 - C180 — C90 - C270

$\eta = 93\%$

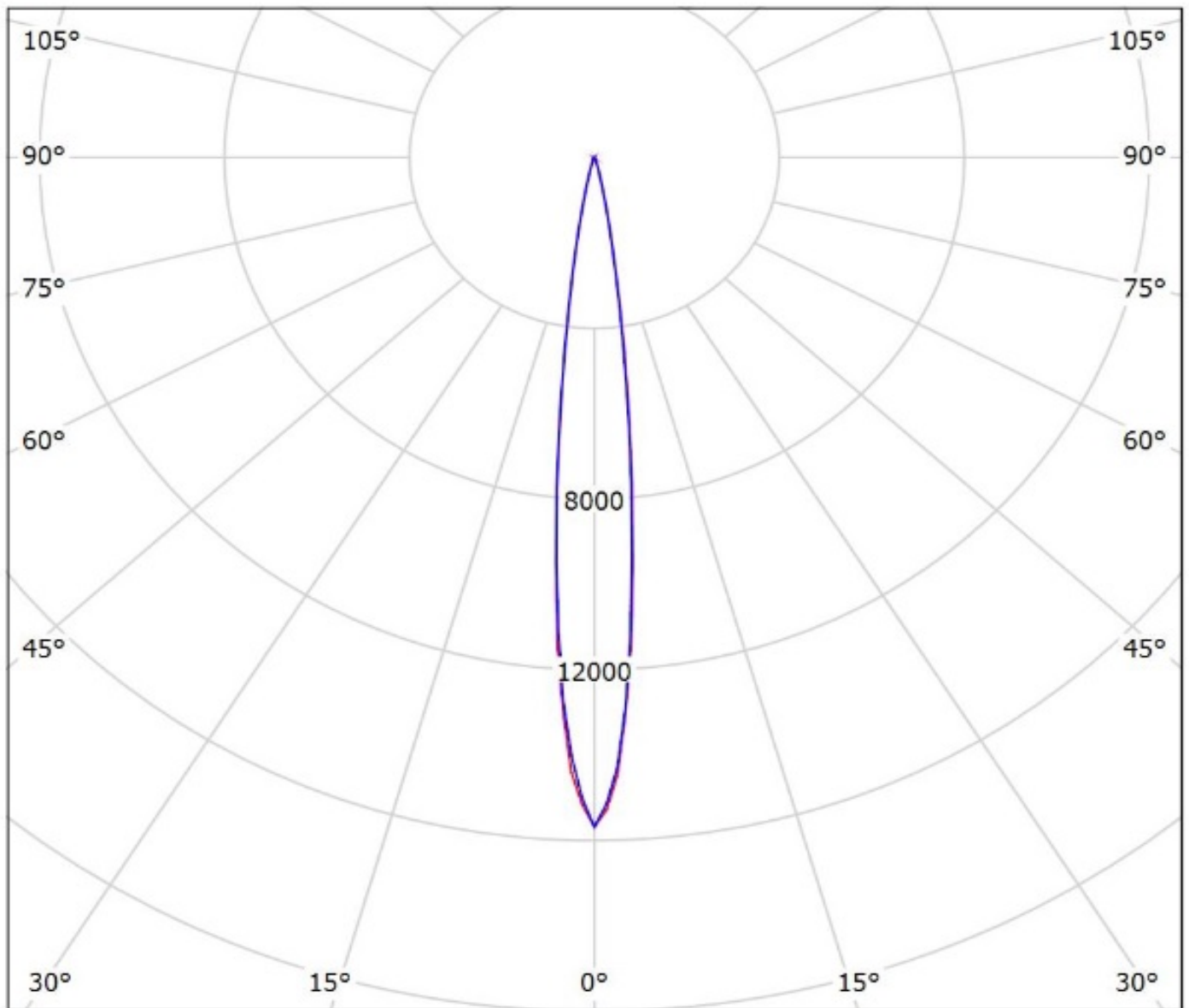
Luminaire: Ledil Oy CA14508\_G2-LXP2-D\_(XT-E)\_SIMULATED  
Lamps: 1 x Cree XT-E



cd/klm  
— C0 - C180 — C90 - C270

$\eta = 90\%$

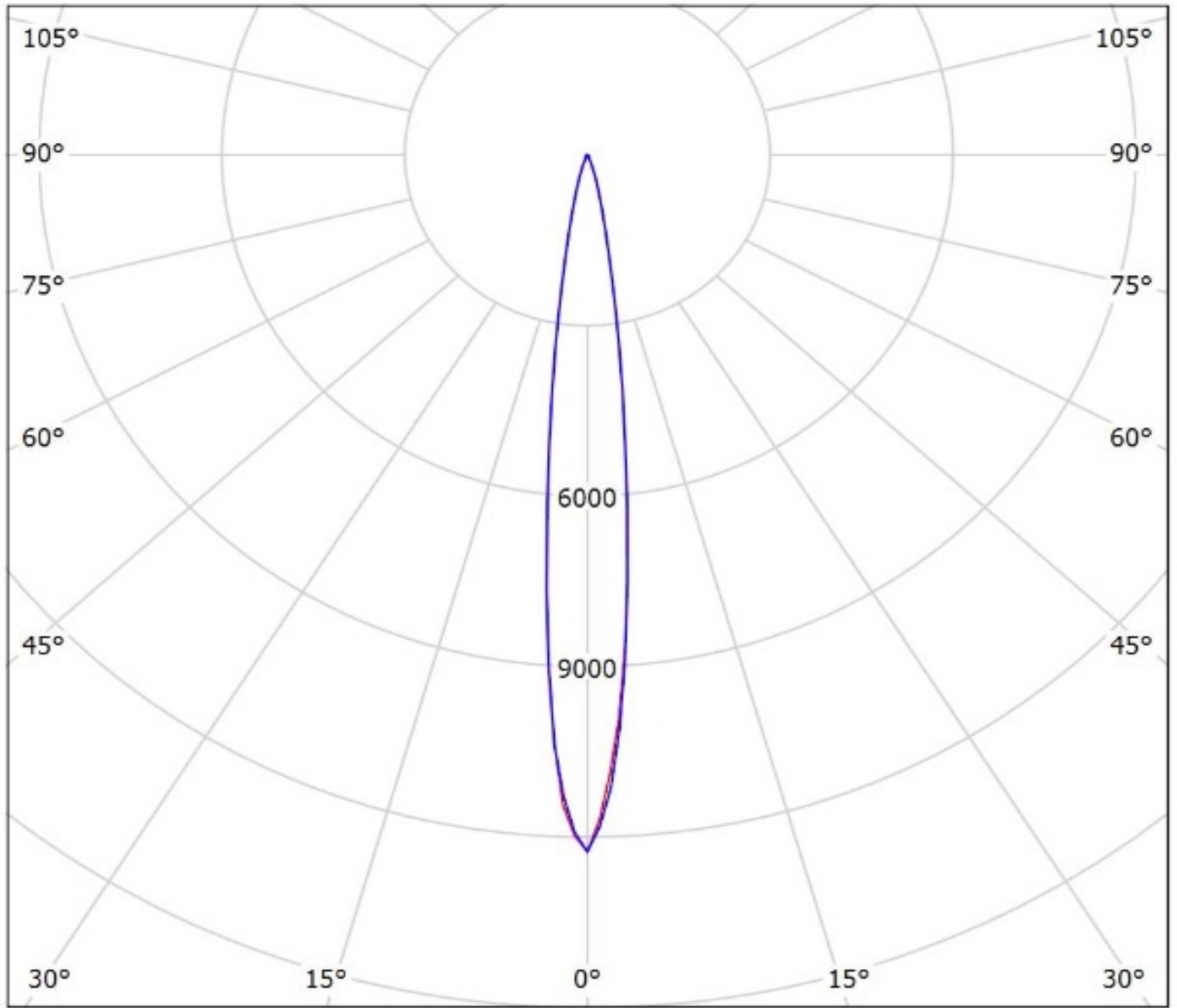
Luminaire: Ledil Oy CA14508\_G2-LXP2-D\_(LG\_H35C1)\_SIMULATED  
Lamps: 1 x LG H35C1



cd/klm  
— C0 - C180 — C90 - C270

$\eta = 92\%$

Luminaire: Ledil Oy CA14508\_G2-LXP2-D\_(NVSxx19B)\_SIMULATED  
Lamps: 1 x Nichia NVSxx19V (NVSW219B)



cd/klm

— C0 - C180 — C90 - C270

$\eta = 88\%$

**NOTE: The typical divergence will be changed by different color, chip size and chip position tolerance. The typical total divergence is the full angle measured where the luminous intensity is half of the peak value.**