

K5V

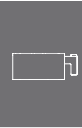
Right Angle Lighted SMT Tact Switch

Features

- Gold plated dome contact SPST/SPDT
- Excellent ergonomie
- High bright LEDs
- Reduced space usage on board
- 70 N min shear force
- Tape and reel
- Lead free compliant

Typical Applications

- When backlighting and switch are required to be a "2 in 1" component
- The dome contact secures a superior contact reliability in time
- The ergonomie of K5V provides a long travel, a sharp tactile feel and a sound click



B

Tactile Switches

Specification

FUNCTION: momentary action
 CONTACT ARRANGEMENT: Normally Open + Normally Closed
 TERMINALS: SMT with positioning pegs

Mechanical

Type	Operating force FA ¹ Newtons (grams)	Operating life (operations)	Travel (total travel) mm(mm)
K5V10023G	2.0 (200)	100,000	0.6 (2.5)
K5V10043G	4.5 (450)	30,000	1.2 (2.5)

¹) Tolerances of operating force FA is ± 25%.

Packaging

350 pieces per reel
 Reel ø 330mm

Electrical

POWER MIN/MAX: 0.02VA / 1.0VA
 VOLTAGE MIN/MAX: 20mVdc – 32 Vdc
 CURRENT MIN/MAX DC: 0.05mA (gold) – 100mA (silver)
 CONTACT RESISTANCE: <100mOhms
 INSULATION RESISTANCE: >1GOhms initial, >10MOhms after damp heat
 BOUNCE TIME: <5ms

Environmental

OPERATING TEMPERATURE: -40 C TO 85 C
 STORAGE TEMPERATURE: -50 C TO 85 C
 RELATIVE HUMIDITY: 90 to 96% according to NF EN 60068-2-30
 OVERLOAD: 50N min
 SHEAR TEST SMT: 70N min

Process

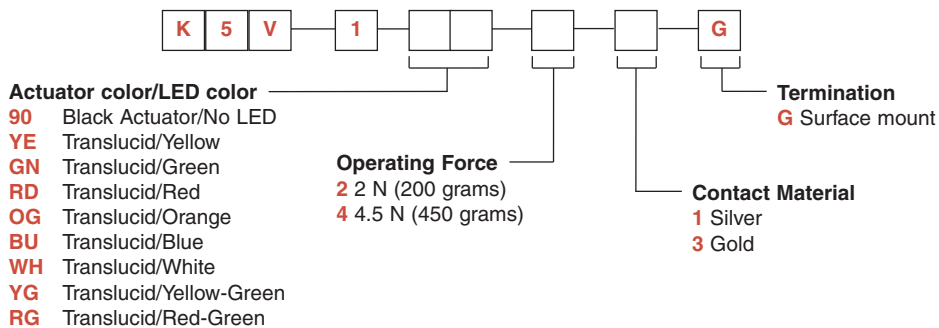
SOLDERING: Infrared reflow in accordance with CECC 00802
 FLUX TIGHT. No wash.
 LEAD FREE AND RoHs COMPLIANT

Materials

CONTACTS: Au over Ni
 SOLDERING: Ag or Au
 HOUSING: Thermoplastic UL94 HB

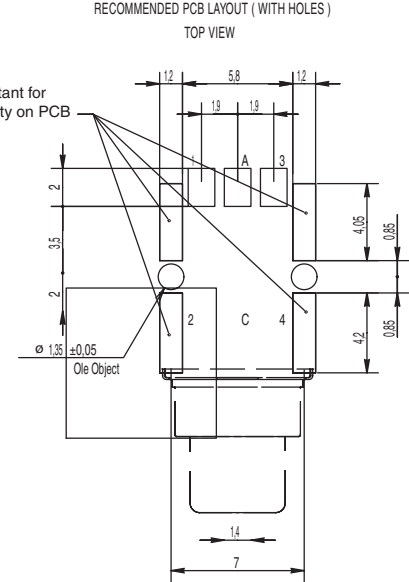
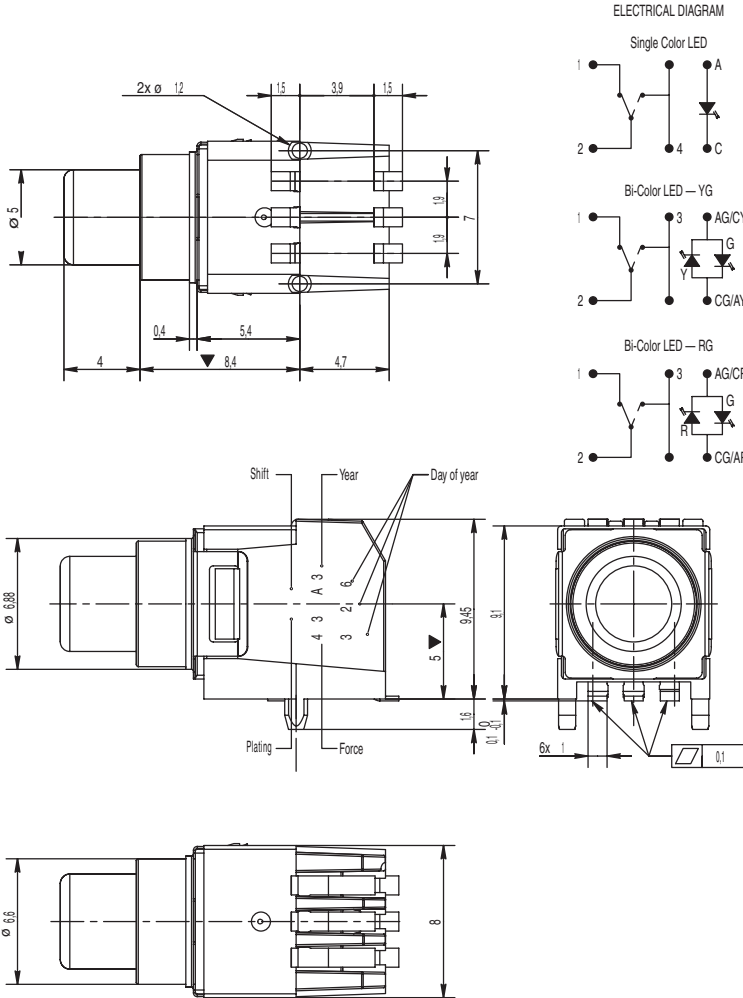
How To Order

Our easy build-a-switch concept allows you to mix and match options to create the switch you need. To order, select desired option from each category and place it in the appropriate box.



K5V Right Angle Lighted SMT Tact Switch

K5V SMT



Tactile Switches

TAPE & REEL

