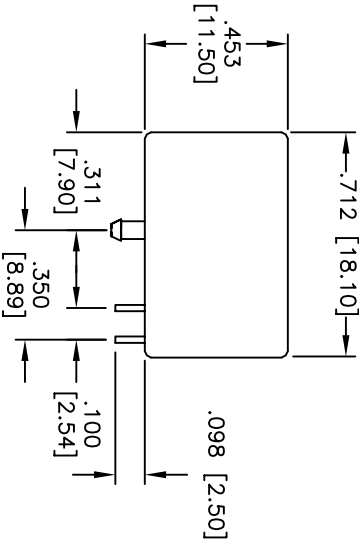
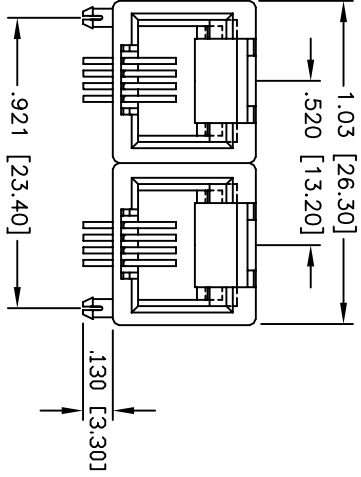
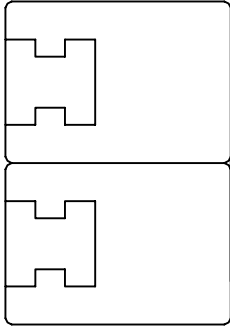
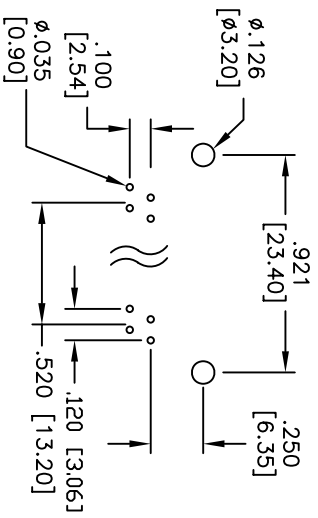


Rev	AWO #	Description	Date	Appr
-		RELEASED	8/7/06	

APPROVED: _____
 DATE: _____ TITLE: _____



X	PLATING
0	15 μ in Gold
1	30 μ in Gold
2	50 μ in Gold



PCB LAYOUT

ADAM TECH

909 Rahway Avenue, Union, NJ 07083
 Phone: 908-687-5000 Fax: 908-687-5710

TITLE: GANGED MODULAR TELEPHONE JACK, 6P4C
 RIGHT ANGLE, PCB, SPLIT PLASTIC PEGS

SIZE: X PART NO.: MTJG-2-64NX1-SP
 SCALE: NTS SHEET 1 OF 1

SPECIFICATIONS:

Material:
 Insulator: PBT, rated UL 94V-0
 Insulator color: Gray
 Contacts: Phosphor Bronze
 Plating:
 Gold over Nickel underplate on contact area, Tin over Copper underplate on PCB tails
 Electrical:
 Operating voltage: 150 VAC max
 Current rating: 1.5 Amps max
 Contact resistance: 20 mohms max
 Insulation resistance: 500 Mohms min @ 500 VDC
 Dielectric withstanding voltage: 1000 VAC for 1 minute
 Temperature Rating:
 Operating temperature: -40°C to +125°C
 Environmental:
 Lead free, RoHS compliant.
 Recommended soldering temp: 235°C for 5 sec.



UNLESS OTHERWISE SPECIFIED
 ALL DIMENSIONS ARE IN INCHES [MM]
 TOLERANCES: EXCEPT AS NOTED
 INCHES: .X ± .10 Ø.X ± .015
 .XX ± .020 Ø.XX ± .015
 .XXX ± .015 Ø.XXX ± .010

APPROVALS	DATE
DRAWN	SS
CHECKED	
APPROVED	