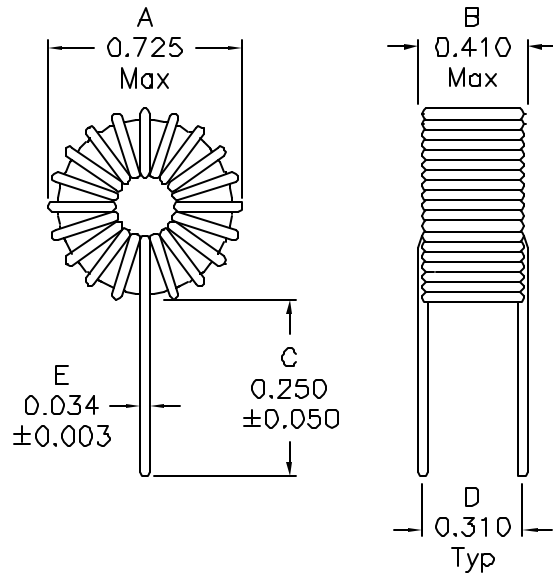
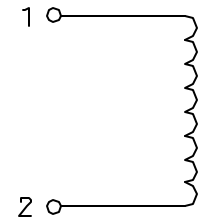


### 1. Mechanical Dimensions:



### 2. Schematic:



### 3. Electrical Specifications:

Inductance: 12.0uH±15% @1KHz,1.0V 0Adc  
 Inductance: 8.7uH±15% @1KHz,1.0V 6.4Adc  
 DCR: 0.016 Ohms Max

**Notes:**

1. Solderability: Leads shall meet MIL-STD-202G, Method 208H for solderability.
2. Flammability: UL94V-0
3. ASTM oxygen index: > 28%
4. Insulation System: Class F 155°C. UL file E151556
5. Operating Temperature Range: All listed parameters are to be within tolerance from -40°C to +85°C
6. Storage Temperature Range: -55°C to +125°C
7. Aqueous wash compatible
8. Electrical and mechanical specifications 100% tested
9. RoHS Compliant Component

DOC REV: A/3

<b>XFMRs Inc.</b> www.XFMRS.com	Title: Vertical Open Inductor		
	UNLESS OTHERWISE SPECIFIED TOLERANCES: .xxx ±0.010 Dimensions in Inch	P/N: XF0126-V01	REV. A
SHEET 1 OF 1	APP. Joe Huff	May-16-06	May-16-06