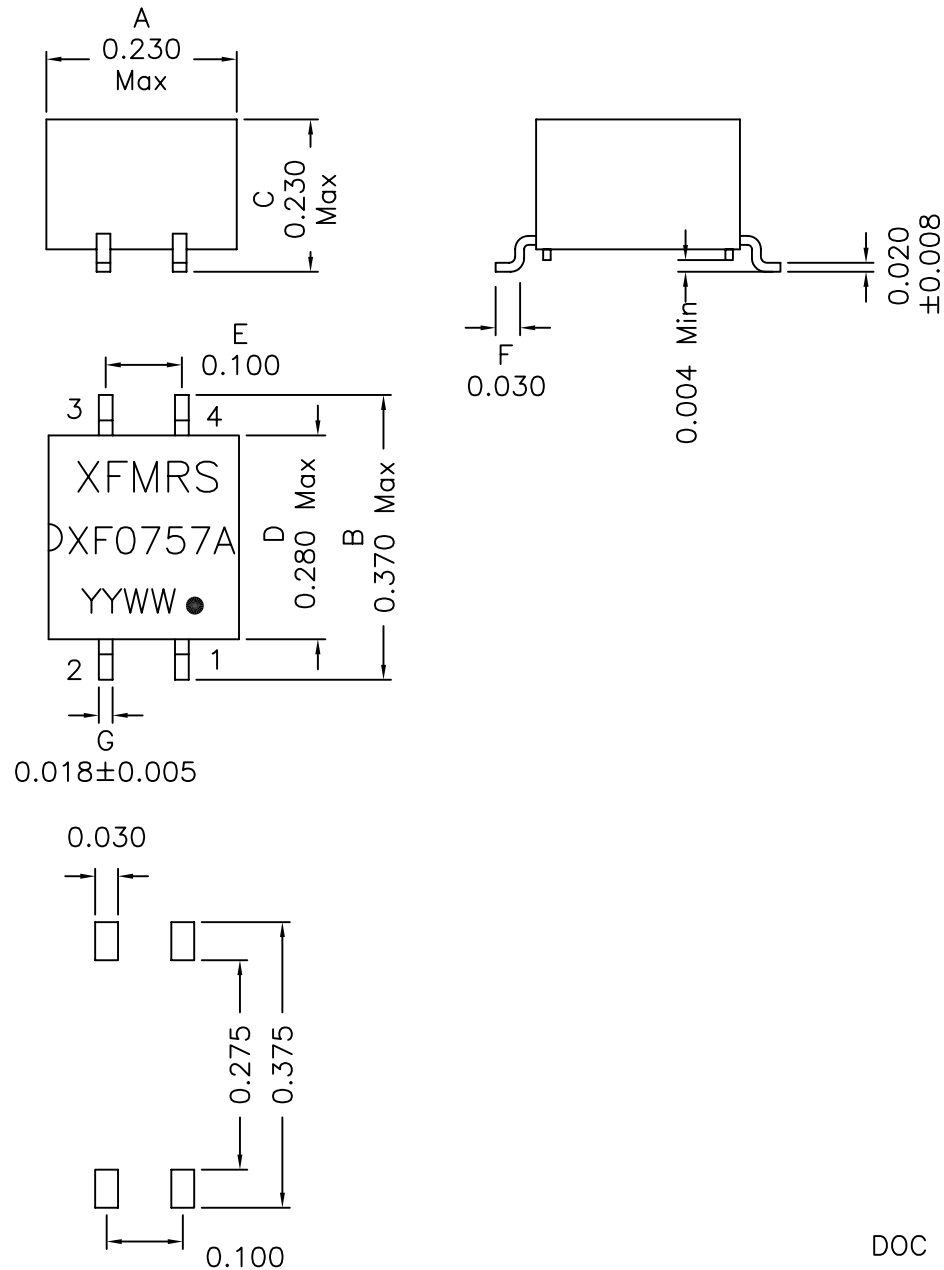
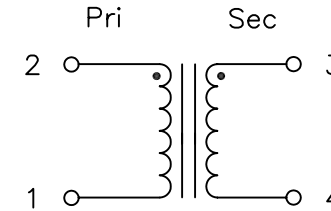


## 1. Mechanical Dimensions:



## 2. Schematic:



## 3. Electrical Specifications: @25°C

OCL: Pins 2-1 7.5uH Min @100KHz 20mVrms

Q: Pins 2-1 8 Min @100KHz 20mVrms

Cw/w: Pins 2-3 5pF Max @100KHz 1Vrms

LL: Pins 2-1 0.10uH Max @100KHz 1Vrms Short 3-4

DCR: 0.200 Ohms Max, Each Wdgs

Turns Ratio: (2-1):(3-4)=1:1±5%

Rise Time: Pins 3-4 0.5nS Max @20°C-80°C

Hipot: 1500Vrms for 2Sec, Pri to Sec

### Notes:

- Solderability: Leads shall meet MIL-STD-202G, Method 208H for solderability.
- Flammability: UL94V-0
- ASTM oxygen index: > 28%
- Insulation System: Class F 155°C. UL file E151556
- Operating Temperature Range: All listed parameters are to be within tolerance from -40°C to +85°C
- Storage Temperature Range: -55°C to +125°C
- Aqueous wash compatible
- SMD Lead Coplanarity: ±0.004"(0.102mm)
- Electrical and mechanical specifications 100% tested
- RoHS Compliant Component

<b>XFMRS Inc</b> www.XFMRS.com		Title: Fibre Channel Single Transformer For Use with 750hms coaxial or 1500hms STP Cable	
UNLESS OTHERWISE SPECIFIED TOLERANCES: .xxx ±0.010 Dimensions in INCH		P/N: XFO757A-00SM	REV. A
	DWN.	Xiany	Apr-06-09
	CHK.	YK Liao	Apr-06-09
SCALE 4:1 SHT 1 OF 1	APP.	BW	Apr-06-09

DOC REV: A/1

**PROPRIETARY** Document is the property of XFMRS Group & is not allowed to be duplicated without authorization.