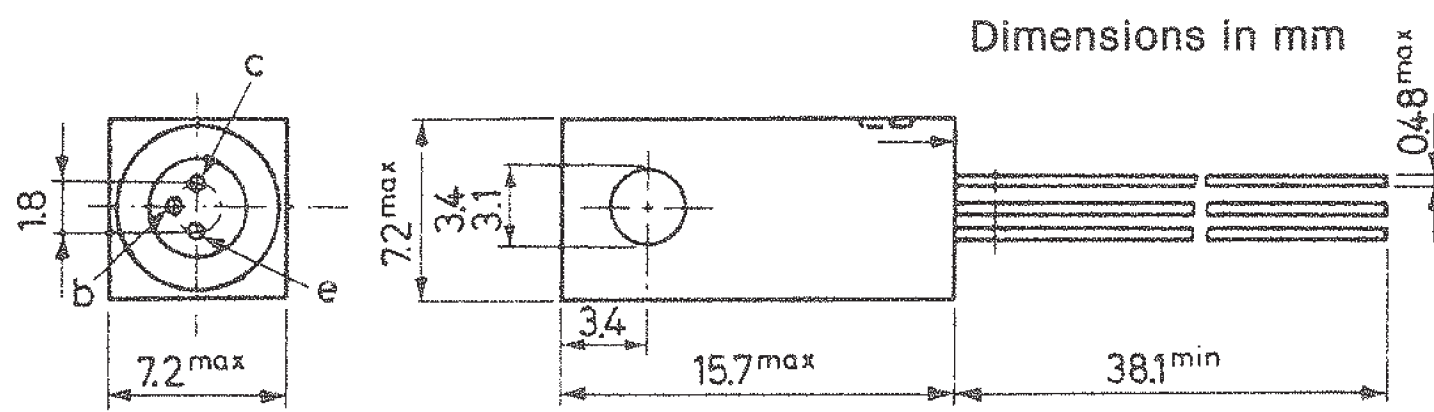
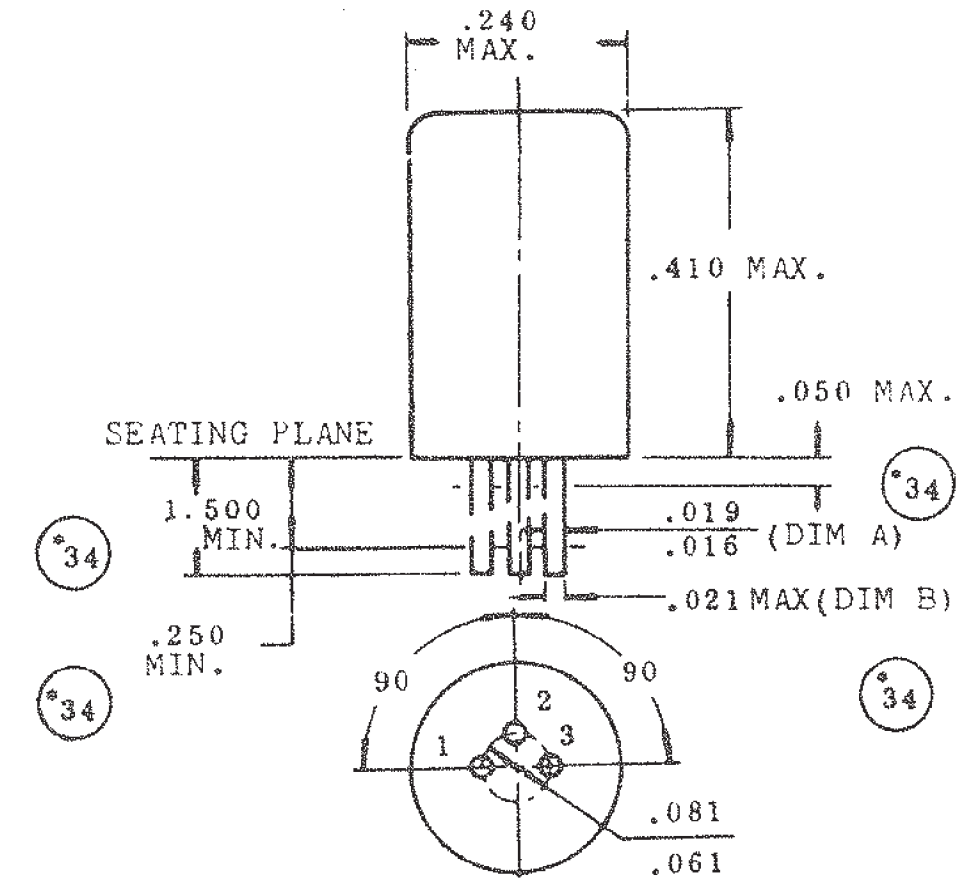


CASE OUTLINE DRAWINGS & DIMENSIONS

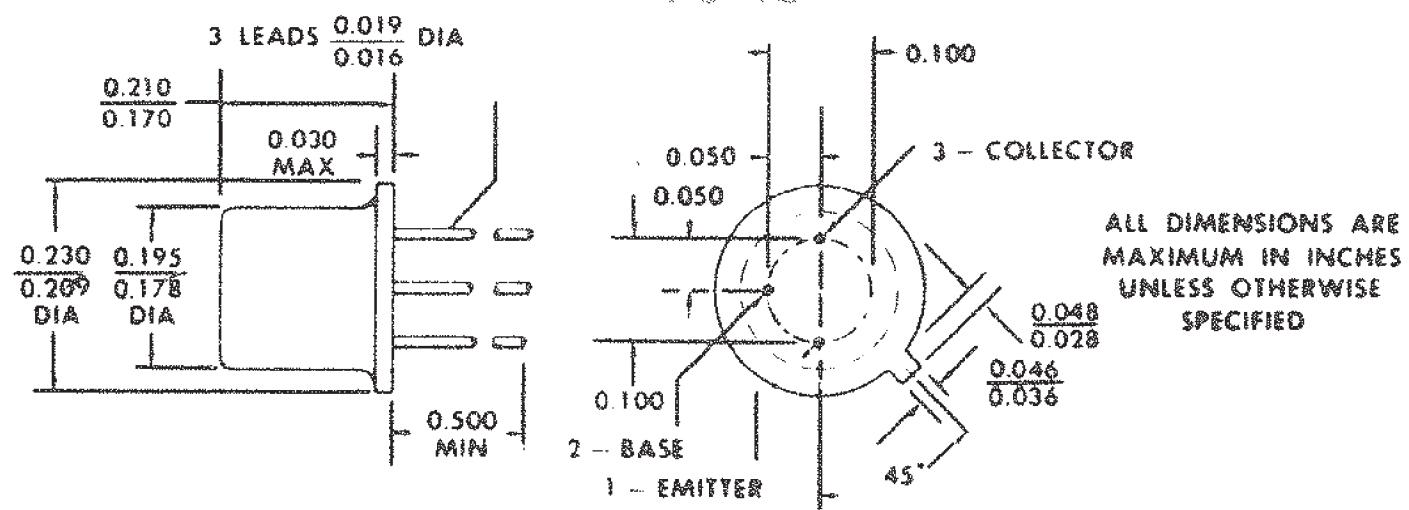
NS257



TO-1



TO-18



THE COLLECTOR IS ELECTRICAL
CONTACT WITH THE CASE.

ALL JEDEC TO-18 DIMENSIONS
AND NOTES ARE APPLICABLE.