

THIS DRAWING IS UNPUBLISHED.

RELEASED FOR PUBLICATION

© COPYRIGHT - By -

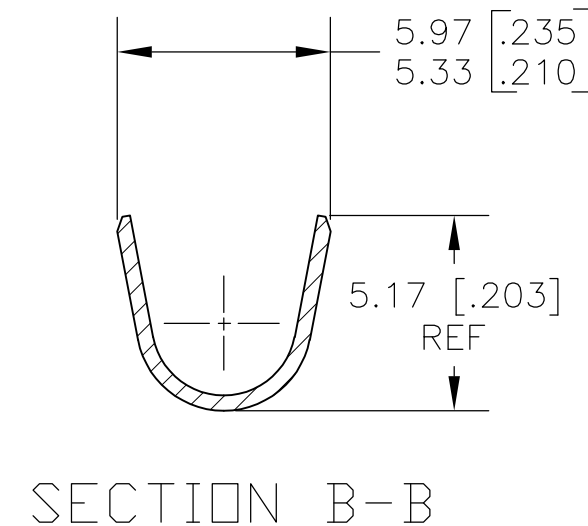
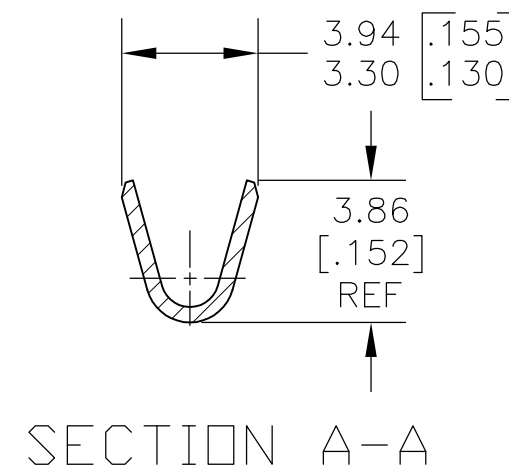
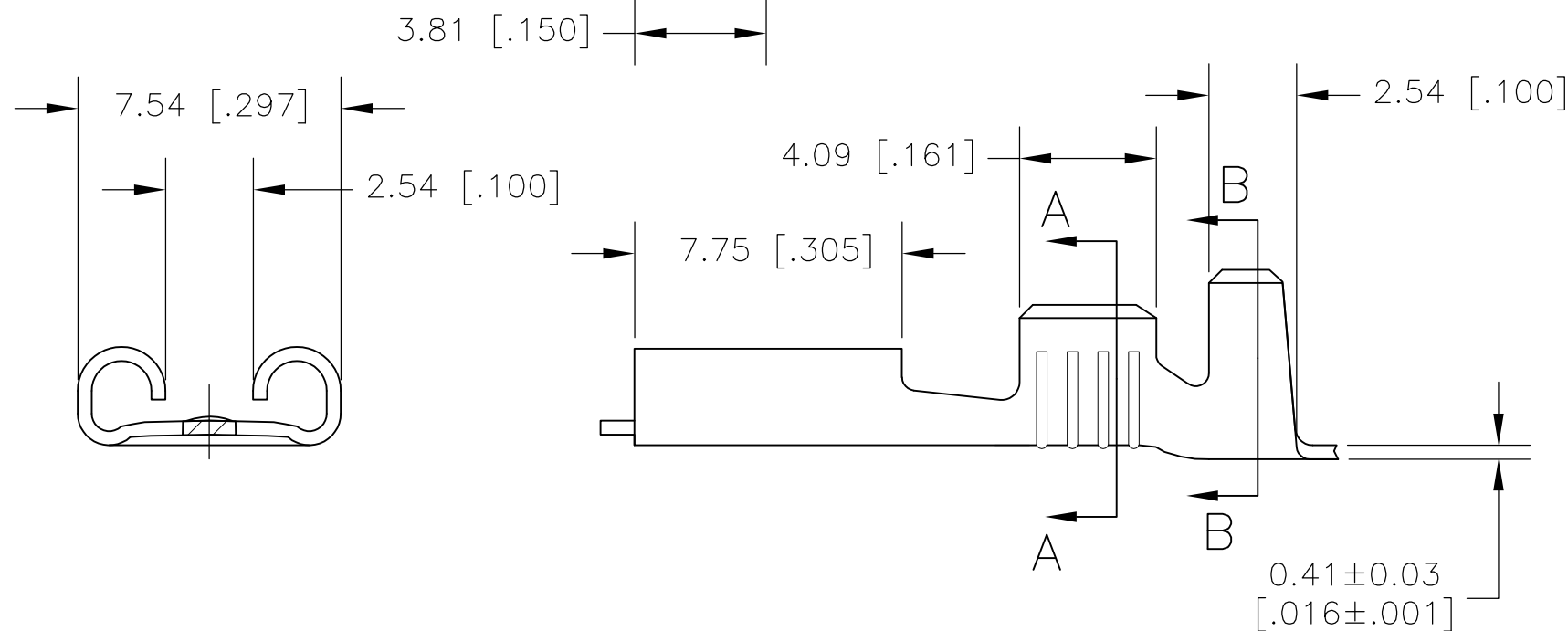
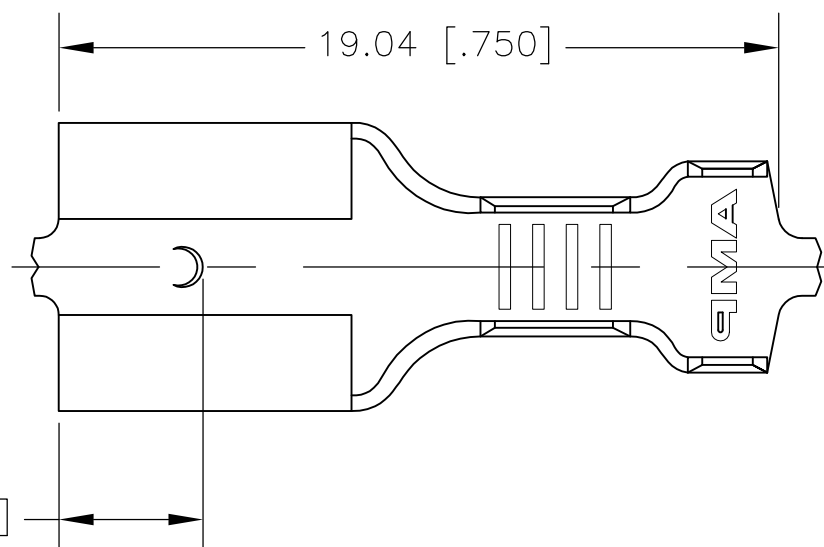
ALL RIGHTS RESERVED.

LOC AF DIST 50

REVISIONS

P	LTR	DESCRIPTION	DATE	DWN	APVD
	J	REVISED PER ECO-13-017339	05NOV13	JR	PD

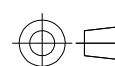
- 1 CONTINUOUS STRIP ON REELS AT A FEED OF 21.33±0.13 [.840±.005].
- 2 MATING TAB THK IS 0.81±0.03 [.032±.001]
- 3 WIRE SIZE IS #18-#14 AWG
- 4 INSULATION RANGE IS 3.05-4.32 [.120-.170] DIA



TIN	60650-2
-	60650-1
FINISH	PART NO

THIS DRAWING IS A CONTROLLED DOCUMENT.

DIMENSIONS:  
MM [INCHES]



TOLERANCES UNLESS OTHERWISE SPECIFIED:

0 PLC	± -
1 PLC	± -
2 PLC	± 0.38 [.015]
3 PLC	± -
4 PLC	± -
ANGLES	± 5°

MATERIAL  
BRASS

FINISH  
SEE TABLE

DWN jr\_ruth 30JAN08

CHK P\_DESANTIS 30JAN08

APVD P\_DESANTIS 30JAN08

PRODUCT SPEC

APPLICATION SPEC

WEIGHT -

CUSTOMER DRAWING



NAME RECEPTACLE, FASTON, .250 SERIES

SIZE A3 CAGE CODE 00779 DRAWING NO C-60650 RESTRICTED TO -

SCALE 5:1 SHEET 1 OF 1 REV J