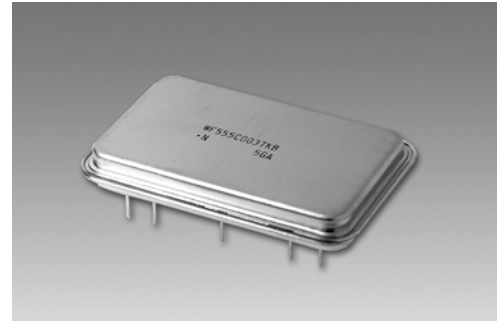


WF555E0037KB

For High Precision Industry

Features

- IF SAW filter for digital terrestrial broadcasting.
- With a low-pass band ripple.
- Excellent steepness characteristics.



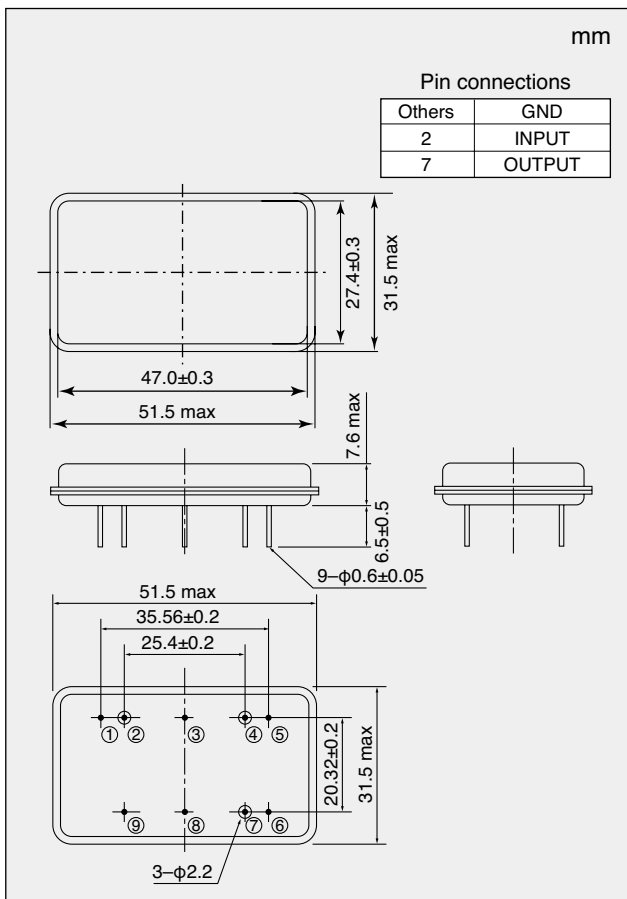
Pb Free

RoHS Compliant
Directive 2011/65/EU

Specifications

Model		WF555E0037KB		
Item		min.	typ.	max.
Nominal Frequency : f ₀ (MHz)			37.15	
Minimum Insertion Attenuation (f ₀)(dB)		-	31.1	34
Pass Band Ripple (f ₀ ±2.79 MHz)(dB)		-	0.25	0.5
Guaranteed Attenuation (dB)	f ₀ ±3.2 to +15 MHz	32	36	-
Operating Temperature Range (°C)			-10 to +60	
Terminating Impedance (Ω)			50	

Dimensions



Characteristics

