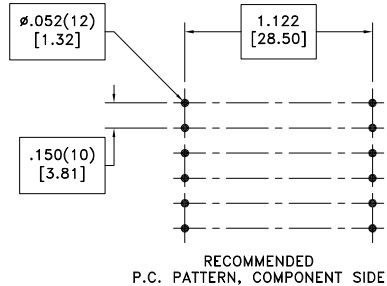
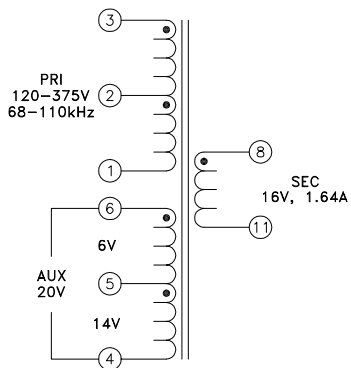
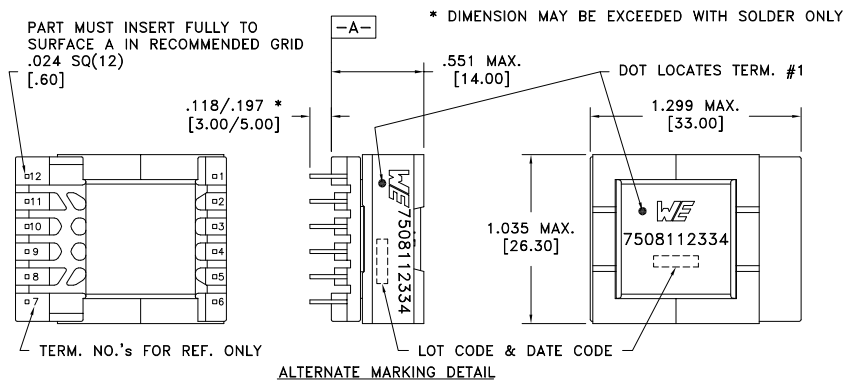


| | | |
|-------------------|------|---------------|
| CUSTOMER TERMINAL | RoHS | LEAD(Pb)-FREE |
| Sn96%, Ag4% | Yes | Yes |



ELECTRICAL SPECIFICATIONS @ 25°C unless otherwise noted:

| PARAMETER | TEST CONDITIONS | VALUE |
|--------------------|---|--------------------------|
| D.C. RESISTANCE | 1-3 @20°C | 0.464 ohms ±10% |
| D.C. RESISTANCE | 4-5 @20°C | 0.170 ohms ±10% |
| D.C. RESISTANCE | 5-6 @20°C | 0.087 ohms ±10% |
| D.C. RESISTANCE | 8-11 @20°C | 0.0183 ohms ±20% |
| INDUCTANCE | 1-3 10kHz, 100mVAC, Ls | 414uH ±10% |
| SATURATION CURRENT | 20% rolloff from initial | 2.2A |
| LEAKAGE INDUCTANCE | 1-3 tie(4+5+6, 8+11), 100kHz, 100mVAC, Ls | 4.51uH typ., 6.77uH max. |
| DIELECTRIC | 1-11 tie(3+4), 4500VAC, 1 second | 4500VAC, 1 minute |
| DIELECTRIC | 1-5 625VAC, 1 second | 500VAC, 1 minute |
| URNS RATIO | (2-1):(3-2) | 1:1, ±1% |
| URNS RATIO | (3-1):(8-11) | 6.857:1, ±1% |
| URNS RATIO | (3-1):(6-5) | 16:1, ±2% |
| URNS RATIO | (3-1):(5-4) | 8:1, ±1% |

GENERAL SPECIFICATIONS:

OPERATING TEMPERATURE RANGE: -40°C to +125°C including temp rise.

Designed to comply with the following requirements as defined by IEC61558-2-16:
 - Reinforced insulation for a primary circuit at a working voltage of 400VDC.

Wire insulation & RoHS status not affected by wire color.
 Wire insulation color may vary depending on availability.

| REV. | DATE | Packaging Specifications | CONVENTION PLACEMENT |
|------|-------|--|----------------------|
| | | Method: Tray PKG-0924 www.we-online.com/midcom | |
| 6B | 10/17 | | |
| 6A | 10/13 | SEE REVISION SHEET FOR REVISION LEVEL | |

Tolerances unless otherwise specified:
 Angles: ±1° Decimals: ±.005 [.13]
 Fractions: ±1/64 Footprint: ±.001 [.03]

This drawing is dual dimensioned. Dimensions in brackets are in millimeters.

DRAWING TITLE
TRANSFORMER

eiSos p/n: 7508112334

PART NO.
7508112334

compliant RoHS SPECIFICATION SHEET 1 OF 1