

TW2880

FN7749

Rev. 1.00

March 27, 2012

Multi-Channel Surveillance Camera Controller with VGA/HDTV Display Capability

Summary

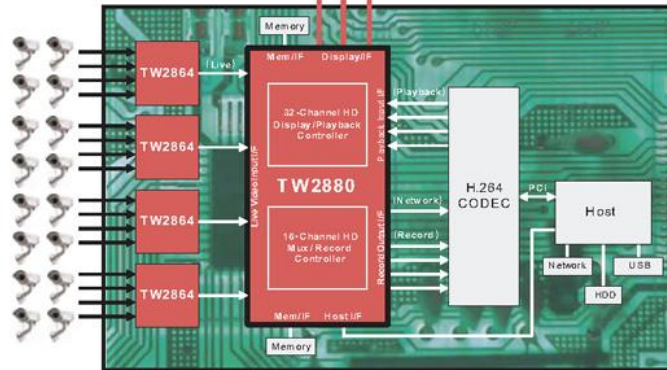
Display Controller Features List

- Supports 1080p HDTV and VGA Display
 - Horizontal size: 640 ~ 1920, Vertical size: 480 ~ 1080
 - Max pixel clock: 174 MHz (if MCLK > 166 MHz)
 - Vertical Refresh frequency: Flexible, can be programmed as 50, 56 or 60 Hz
 - Flexible output interface, Analog VGA (HD15), Digital VGA (DVI) and HDMI (V1.2)
 - Capable of displaying up to 33 Channels in one screen, live video or playback combined.
 - 2 HD channels through playback interface and in BT.1120 format.
 - Motion Box (MD) on all display channels.
 - User selectable Weave/2D/3D de-interlacing method for video quality enhancement
 - Up / down scaler for arbitrate windows size
 - Three layers of OSG overlay with High-color (16 bit) bit map
 - OSD display layer for title and channel ID
 - Single Box Display for highlighting and Mouse / Cursor Overlay
- Video Input from Decoder Interface
 - Support 27 MHz BT.656 input
 - Support 54,108 MHz BT.656 byte-interleaved input
 - Motion Box (MD) on all display channels.
 - D1/Half D1/CIF selection
- System clock at 108MHz, Memory clock 166 - 180 MHz
- I²C and 108 MHz parallel MCU host interface

Recording Controller Features List

- High flexibility record output function
 - Real time field interleaved, frame interleaved output
 - Priority recording
 - Multi-mode output controlled by user
- High flexibility Spot output function
 - Four individual output
 - Full/Half/CIF display with OSD
 - Automatic switching
- Random sequence recording(Table recording) function
- Motion Detector & Channel ID Encoding / Decoding
- Embedded font-RAM for color OSD
- Split border and background color setting

HD 1080p Main Display
(Live/Playback Video + Map + Control Panel)



Advanced 16 - Channel DVR System

© Copyright Intersil Americas LLC 2010-2012. All Rights Reserved.
All trademarks and registered trademarks are the property of their respective owners.

For additional products, see www.intersil.com/product_tree
Intersil products are manufactured, assembled and tested utilizing ISO9001 quality systems as noted
in the quality certifications found at <http://www.intersil.com/en/support/qualandreliability.html>

Intersil products are sold by description only. Intersil may modify the circuit design and/or specifications of products at any time without notice, provided that such modification does not, in Intersil's sole judgment, affect the form, fit or function of the product. Accordingly, the reader is cautioned to verify that datasheets are current before placing orders. Information furnished by Intersil is believed to be accurate and reliable. However, no responsibility is assumed by Intersil or its subsidiaries for its use; nor for any infringements of patents or other rights of third parties which may result from its use. No license is granted by implication or otherwise under any patent or patent rights of Intersil or its subsidiaries.

For information regarding Intersil Corporation and its products, see <http://www.intersil.com>