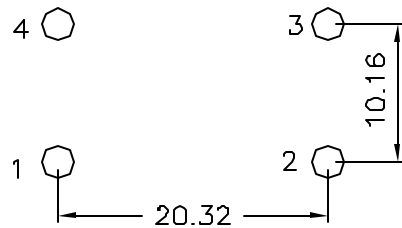
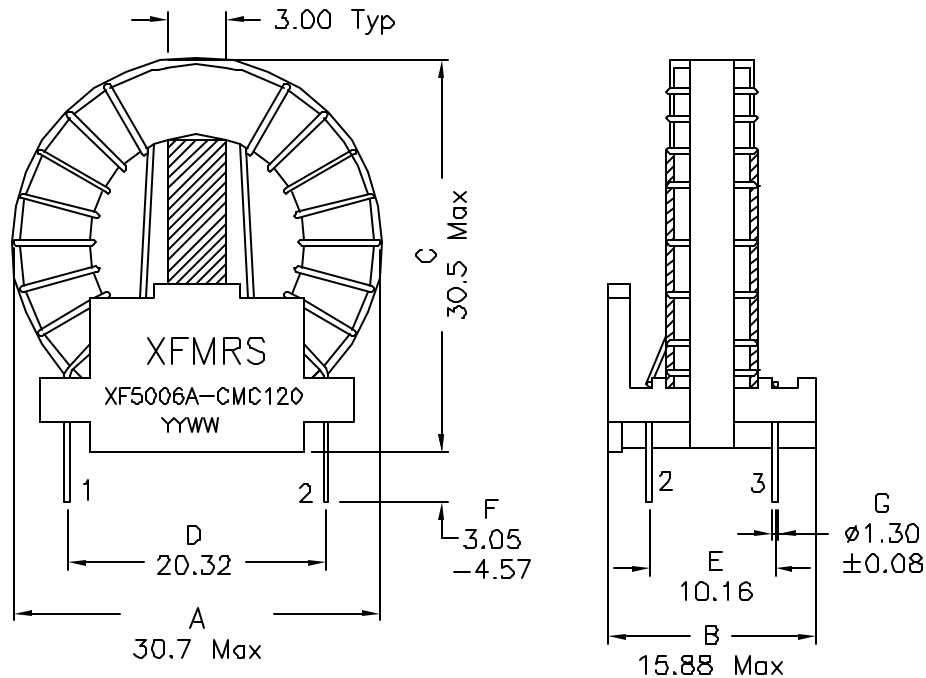


1. Mechanical:



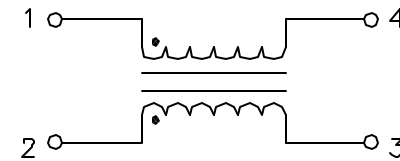
SUGGESTED FOOTPRINT

Notes:

1. Solderability: Leads shall meet MIL-STD-202G, Method 208H for solderability.
2. Flammability: UL94V-0
3. ASTM oxygen index: > 28%
4. Insulation System: Class F 155°C. UL file E151556
5. Operating Temperature Range: All listed parameters are to be within tolerance from -40°C to +85°C
6. Storage Temperature Range: -55°C to +125°C
7. Aqueous wash compatible
8. Electrical and mechanical specifications 100% tested
9. RoHS Compliant Component

Doc Rev: A/4

2. Schematic:



3. Electrical

- OCL: 500uH Min @15.75KHz, 0.1V, Each wdg
- Rated Current: 12.0Amps
- DCR: 0.008 Ohms Max, Each Wdg
- LL: P1-4, 9.0uH Max @100KHz, 0.1V (Short 2-3)
- Isolation Voltage: 1250Vrms Wdg. to Wdg.

XFMR5 Inc www.XFMR5.com		Title: Common Mode Choke	
UNLESS OTHERWISE SPECIFIED TOLERANCES: .xx ±0.20 Dimensions in mm	P/N: XF5006A-CMC120	REV. A	
	DWN.	Juan Mao	Mar-26-07
	CHK.	YK liao	Mar-26-07
SHEET 1 OF 1	APP.	Joe Huff	Mar-26-07