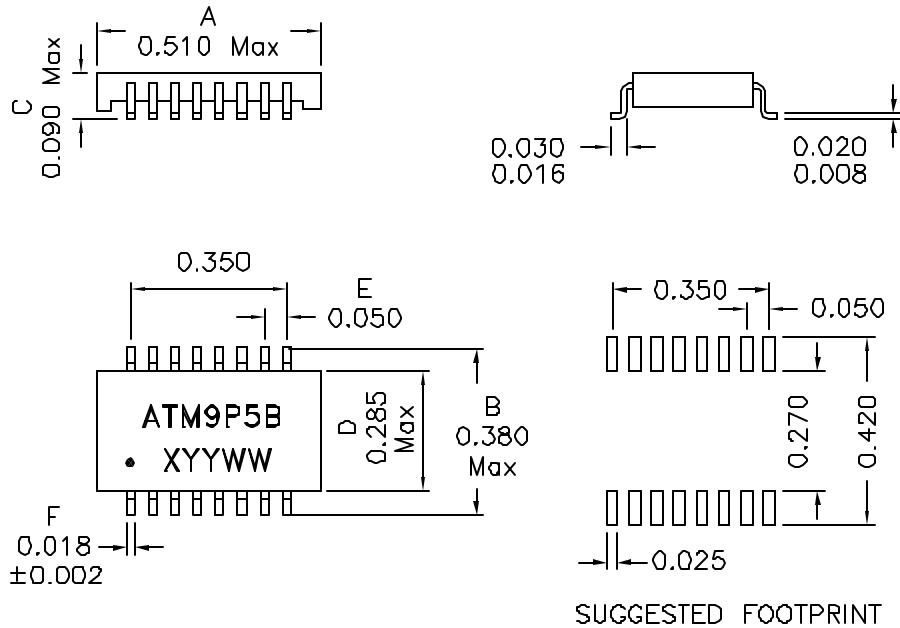
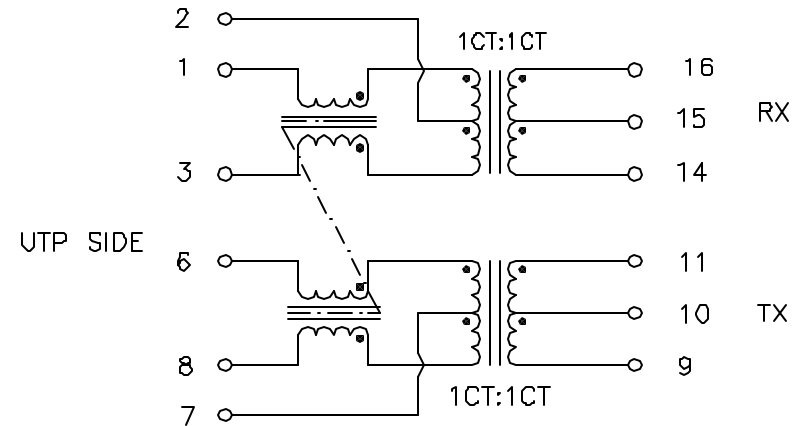


## 1. Dimensions:



## 2. Schematic:



## 3. Electrical Specifications: @25°C

UTP Impedance: 100 OHMS

Turns Ratio: TX : 1CT:1CT ±2% RX : 1CT:1CT ±2%

Isolation Voltage: 1500 VAC (Input to Output)

UTP Side OCL: 350uH Minimum @100KHz,100mV

Q: 5 Min @100KHz, 100mV

Rise Time (10–90%): 2.0ns Typical

Insertion Loss (1–100MHz): –1.0dB Maximum

Return Loss(5–100MHz): –12dB Typical

CMRR (1MHz–100MHz): –40dB TYPICAL

Crosstalk Attenuation: –50dB Typ.

### Notes:

1. Solderability: Leads shall meet MIL–STD–202G, Method 208H for solderability.
2. Flammability: UL94V–0
3. ASTM oxygen index: > 28%
4. Insulation System: Class F 155°C, UL file E151558
5. Operating Temperature Range: All listed parameters are to be within tolerance from 0°C to +70°C
6. Storage Temperature Range: –55°C to +125°C
7. Aqueous wash compatible
8. SMD Lead Coplanarity: ±0.004" (0.102mm)
9. Electrical and mechanical specifications 100% tested
10. RoHS Compliant Component

DOC. REV. A/2

<b>XFMRs Inc.</b> www.XFMRs.com		Title: 10/100BASE–TX MAGNETICS	
UNLESS OTHERWISE SPECIFIED TOLERANCES: .xxx ±0.010 Inch Dimensions in Inch/mm	P/N: XFATM9P5B	REV. A	
	DWN.	Feng	Nov–18–10
SCALE 2:1 SHT 1 OF 1	CHK.	YK Liao	Nov–18–10
	APP.	Joe Huff	Nov–18–10

**PROPRIETARY** Document is the property of XFMRs Group & is not allowed to be duplicated without authorization.