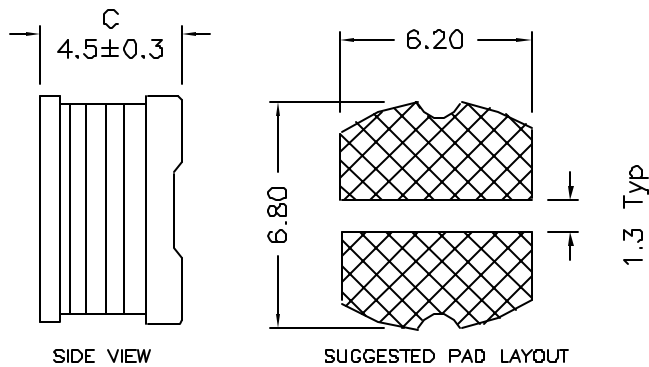
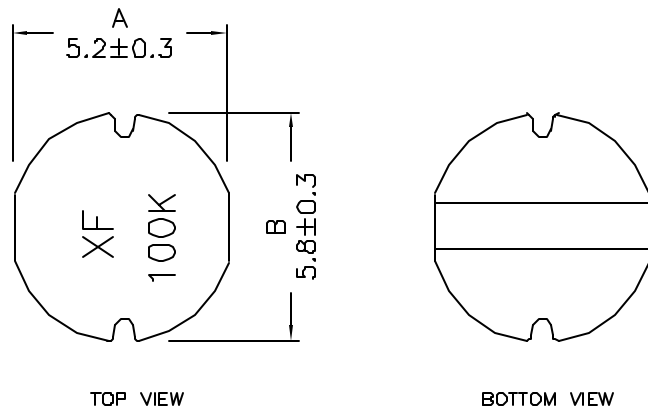
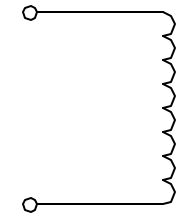


1. Mechanical Dimensions:



2. Schematic:



3. Electrical Specifications:

OCL: 10.0uH $\pm 10\%$ @100KHz, 0.1V

DCR: 0.100 Ohms Max

DC Current: 1.44A_{dc} Max

Notes:

1. Solderability: Leads shall meet MIL-STD-202G, Method 208H for solderability.
2. Flammability: UL94V-0
3. ASTM oxygen Index: > 28%
4. Insulation System: Class F 155°C. UL file E151556
5. Operating Temperature Range: All listed parameters are to be within tolerance from -40°C to +85°C
6. Storage Temperature Range: -55°C to +125°C
7. Aqueous wash compatible
8. SMD Lead Coplanarity: $\pm 0.004^*$ (0.102mm)
9. Electrical and mechanical specifications 100% tested
10. RoHS Compliant Component

XFMR5 Inc www.XFMR5.com		Title: SMD Inductor	
UNLESS OTHERWISE SPECIFIED TOLERANCES: .xx ± 0.30 Dimensions in MM	P/N: XFSDR54-100K		REV A
	DWN.	Juan Mao	Oct-06-06
	CHK.	YK Liao	Oct-06-06
Scale 2.5:1 SHT 1 OF 1	APP.	MS	Oct-06-06

DOC. REV: A/1

PROPRIETARY Document is the property of XFMR5 Group & is not allowed to be duplicated without authorization.