



SGM2024

Quad, Low Power, Low Dropout, 200mA, RF-Linear Regulators

GENERAL DESCRIPTION

The SGM2024 is a quad, low-power, low-dropout, CMOS linear voltage regulator that operates from 2.5V to 5.5V input and delivers up to 200mA continuous current at each channel. An ultra low ground current (350 μ A at 0mA output current) makes this part attractive for battery operated power systems.

The SGM2024 also offers low dropout voltage (220mV at 200mA output) to prolong battery life in portable electronics. Systems requiring a quiet voltage source, such as RF applications, will benefit from the SGM2024 series' ultra low output noise (30 μ V_{RMS}) and high PSRR. An external noise bypass capacitor connected to the device's BP pin can further reduce the noise level.

Other features include a 10nA logic-controlled shutdown mode, output current limit and thermal shut-down protection.

SGM2024 is available in Green TQFN-3 \times 3-16L package. It operates over an ambient temperature range of -40°C to +85°C.

FEATURES

- **Low Output Noise: 30 μ V_{RMS} TYP (10Hz to 100kHz)**
- **Low Dropout Voltage:**
220mV at 200mA Output Load Current
- **Low 350 μ A No-Load Supply Current**
- **High PSRR: 70dB at 1kHz**
- **Thermal-Overload Protection**
- **Output Current Limit**
- **10nA Logic Controlled Shutdown**
- **-40°C to +85°C Operating Temperature Range**
- **Available in Green TQFN-3 \times 3-16L Package**

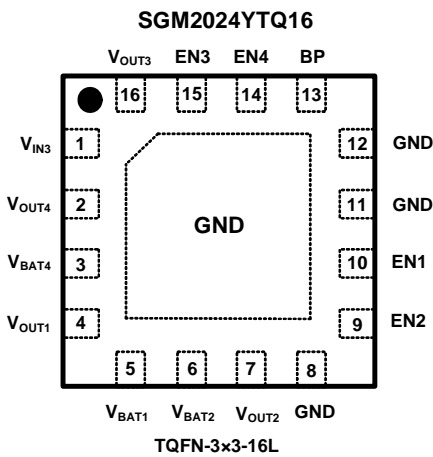
APPLICATIONS

Cellular Telephones
Cordless Telephones
PHS Telephones
PCMCIA Cards
Modems
MP3 Player
Hand-Held Instruments
Palmtop Computers
Electronic Planners
Portable/Battery-Powered Equipment

PACKAGE/ORDERING INFORMATION

MODEL	PIN-PACKAGE	SPECIFIED TEMPERATURE RANGE	ORDERING NUMBER	PACKAGE MARKING	PACKAGE OPTION
SGM2024	TQFN-3x3-16L	-40°C to +85°C	SGM2024YTQ16/TR	2024TQ	Tape and Reel, 3000

PIN CONFIGURATION (TOP VIEW)



ABSOLUTE MAXIMUM RATINGS

IN to GND	-0.3V to 6V
Output Short-Circuit Duration	Infinite
EN to GND.....	-0.3V to V_{IN}
OUT, BP to GND.....	-0.3V to $(V_{IN}+0.3V)$
Operating Temperature Range.....	-40°C to +85°C
Junction Temperature.....	150°C
Storage Temperature Range.....	-65°C to +150°C
Lead Temperature (soldering, 10s).....	260°C
ESD Susceptibility	
HBM.....	4000V
MM.....	400V

NOTE:

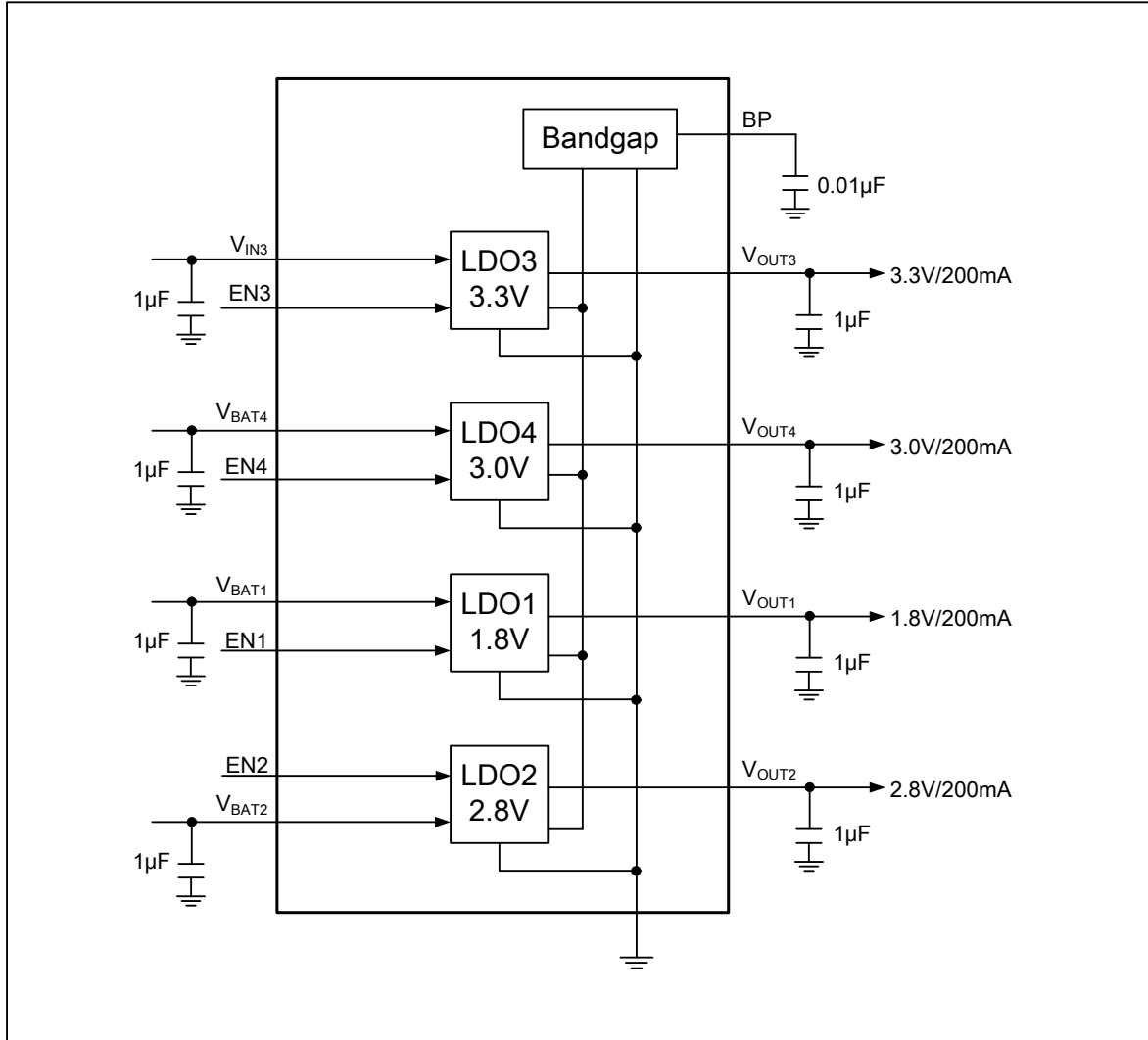
Stresses beyond those listed under “Absolute Maximum Ratings” may cause permanent damage to the device. These are stress ratings only, and functional operation of the device at these or any other conditions beyond those indicated in the operational sections of the specifications is not implied. Exposure to absolute maximum rating conditions for extended periods may affect device reliability.

CAUTION

This integrated circuit can be damaged by ESD if you don't pay attention to ESD protection. SGMICRO recommends that all integrated circuits be handled with appropriate precautions. Failure to observe proper handling and installation procedures can cause damage. ESD damage can range from subtle performance degradation to complete device failure. Precision integrated circuits may be more susceptible to damage because very small parametric changes could cause the device not to meet its published specifications.

SGMICRO reserves the right to make any change in circuit design, specification or other related things if necessary without notice at any time. Please contact SGMICRO sales office to get the latest datasheet.

FUNCTION DIAGRAM



PIN DESCRIPTION

PIN	NAME	FUNCTION
1	V_{IN3}	Regulator Input. Bypass with a 1 μ F capacitor to GND. In application V_{IN3} is always powered by V_{BUS} of USB interface.
5,6,3	$V_{BAT1,2,4}$	Regulator Input. Bypass with a 1 μ F capacitor to GND. Connected together externally. In application $V_{BAT1,2,4}$ are always connected to battery directly.
8,11,12	GND	Ground. All GND pins must be connected together externally.
10,9,15,14	EN1,2,3,4	Shutdown Input. A logic low reduces the supply current to 10nA. Connect to V_{IN3} or $V_{BAT1,2,4}$ for normal operation.
13	BP	Reference-Noise Bypass (fixed voltage version only). Bypass with a low-leakage 0.01 μ F ceramic capacitor for reduced noise at the output.
4	V_{OUT1}	LDO-1 Regulator Output. Sources up to 200mA. Bypass with a 1 μ F Capacitor to GND for $V_{OUT1} = 1.8V/200mA$.
7	V_{OUT2}	LDO-2 Regulator Output. Sources up to 200mA. Bypass with a 1 μ F Capacitor to GND for $V_{OUT2} = 2.8V/200mA$.
16	V_{OUT3}	LDO-3 Regulator Output. Sources up to 200mA. Bypass with a 1 μ F Capacitor to GND for $V_{OUT3} = 3.3V/200mA$.
2	V_{OUT4}	LDO-4 Regulator Output. Sources up to 200mA. Bypass with a 1 μ F Capacitor to GND for $V_{OUT4} = 3.0V/200mA$.

ELECTRICAL CHARACTERISTICS(V_{IN} = V_{OUT(NOMINAL)} + 0.5V or 2.5V⁽¹⁾, T_A = -40°C to +85°C. Typical values are at T_A = +25°C, unless otherwise noted.)

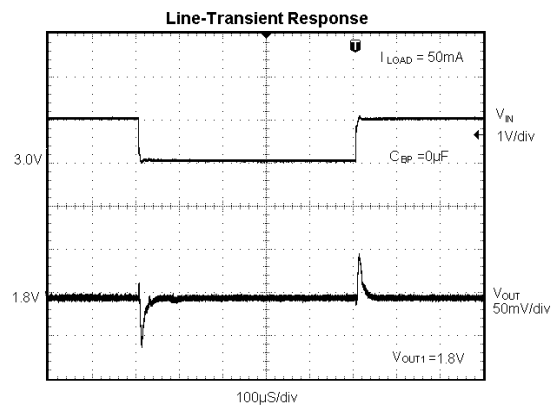
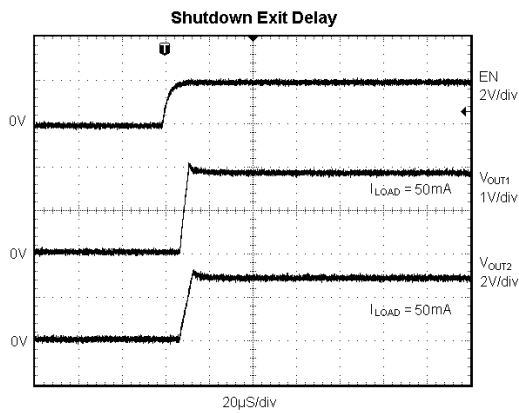
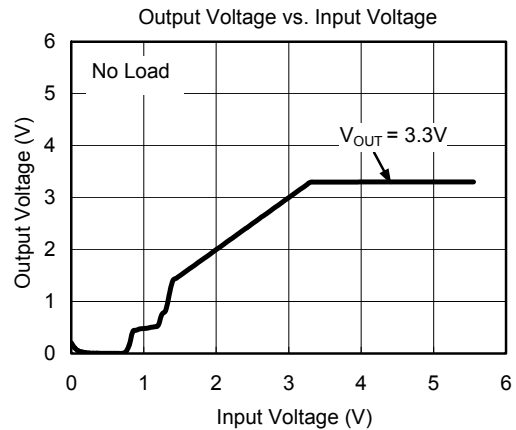
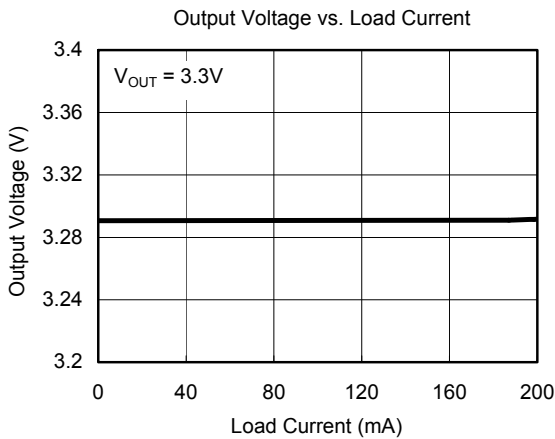
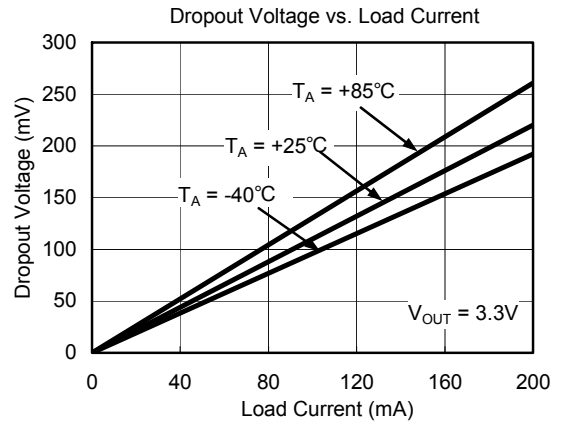
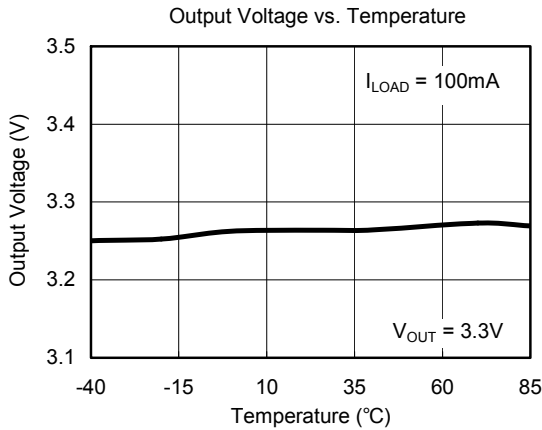
PARAMETER	SYMBOL	CONDITIONS	MIN	TYP	MAX	UNITS	
Input Voltage	V _{IN}		2.5		5.5	V	
Output Voltage Accuracy ⁽¹⁾		I _{OUT} = 0.1mA, T _A = +25°C	-2		+2	%	
Maximum Output Current			200			mA	
Current Limit	I _{LIM}		210	350		mA	
Ground Pin Current	I _Q	No load, EN = 2V		350	550	μA	
Dropout Voltage ⁽²⁾		I _{OUT} = 1mA		1		mV	
		I _{OUT} = 200mA		220	330		
Line Regulation ⁽¹⁾	ΔV _{LNR}	V _{IN} = 2.5V or (V _{OUT} + 0.5V) to 5.5V, I _{OUT} = 1mA		0.01	0.15	%/V	
Load Regulation	ΔV _{LDR}	I _{OUT} = 0.1mA to 200mA, C _{OUT} = 1μF		0.001	0.004	%/mA	
Output Voltage Noise	e _n	f = 10Hz to 100kHz, C _{BP} = 0.1μF, C _{OUT} = 10μF		30		μV _{RMS}	
Power Supply Rejection Rate	PSRR	C _{BP} = 0.1μF, I _{LOAD} = 50mA, C _{OUT} = 1μF	f = 100Hz		72		dB
			f = 1kHz		70		dB
SHUTDOWN							
EN Input Threshold	V _{IH}	V _{IN} = 2.5V to 5.5V	1.5			V	
	V _{IL}				0.4		
EN Input Bias Current	I _{B(SHDN)}	EN = 0V and EN = 5.5V	T _A = +25°C		0.01	1	μA
			T _A = +85°C		0.01	1	
Shutdown Supply Current	I _{Q(SHDN)}	EN = 0.4V	T _A = +25°C		0.01	1	μA
			T _A = +85°C		0.01	1	
Shutdown Exit Delay ⁽³⁾		C _{BP} = 0.01μF, C _{OUT} = 1μF, No load	T _A = +25°C		30		μs
THERMAL PROTECTION							
Thermal Shutdown Temperature	T _{SHDN}			160		°C	
Thermal Shutdown Hysteresis	ΔT _{SHDN}			15		°C	

NOTES:

1. V_{IN} = V_{OUT(NOMINAL)} + 0.5V or 2.5V, whichever is greater.2. The dropout voltage is defined as V_{IN} - V_{OUT}, when V_{OUT} is 100mV below the value of V_{OUT} for V_{IN} = V_{OUT} + 0.5V. (Only applicable for V_{OUT} = +2.5V to +3.3V.)3. Time needed for V_{OUT} to reach 95% of final value.

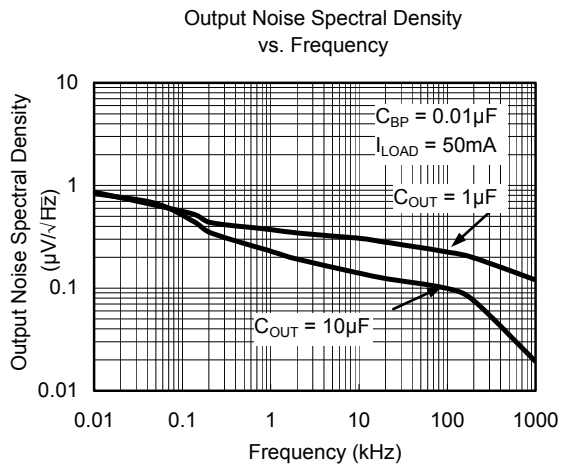
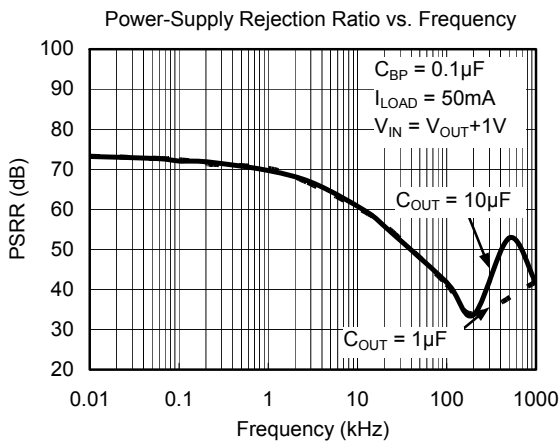
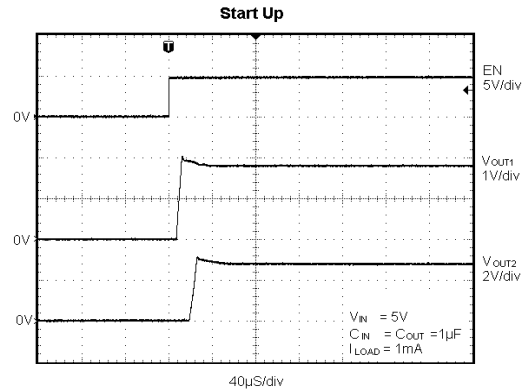
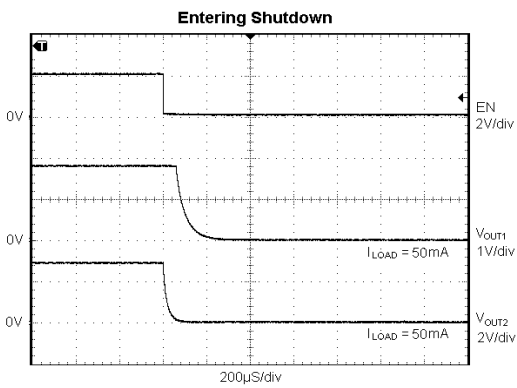
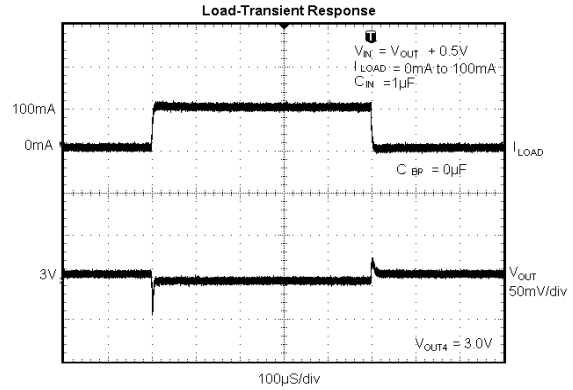
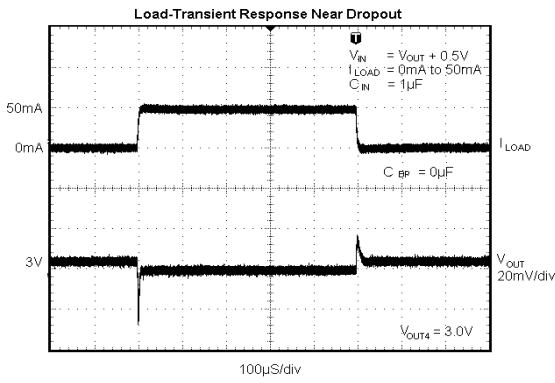
TYPICAL OPERATING CHARACTERISTICS

$V_{IN} = V_{OUT(NOMINAL)} + 0.5V$ or $2.5V$ (whichever is greater), $C_{IN} = 1\mu F$, $C_{OUT} = 1\mu F$, $C_{BP} = 0.01\mu F$, $T_A = +25^\circ C$, unless otherwise noted.



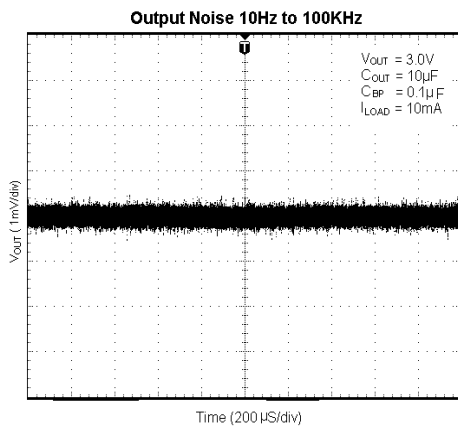
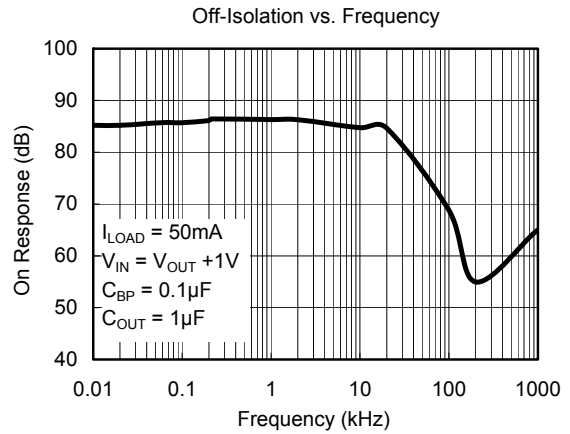
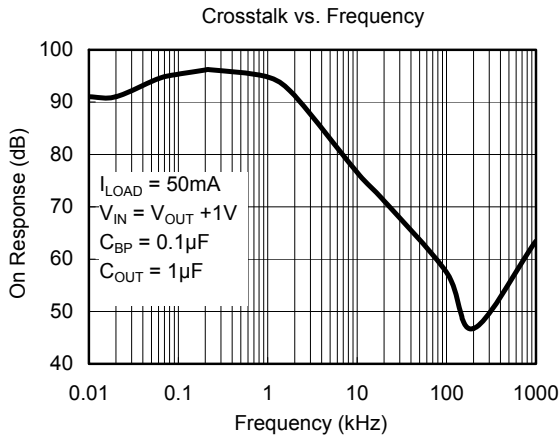
TYPICAL OPERATING CHARACTERISTICS

$V_{IN} = V_{OUT(NOMINAL)} + 0.5V$ or $2.5V$ (whichever is greater), $C_{IN} = 1\mu F$, $C_{OUT} = 1\mu F$, $C_{BP} = 0.01\mu F$, $T_A = +25^\circ C$, unless otherwise noted.

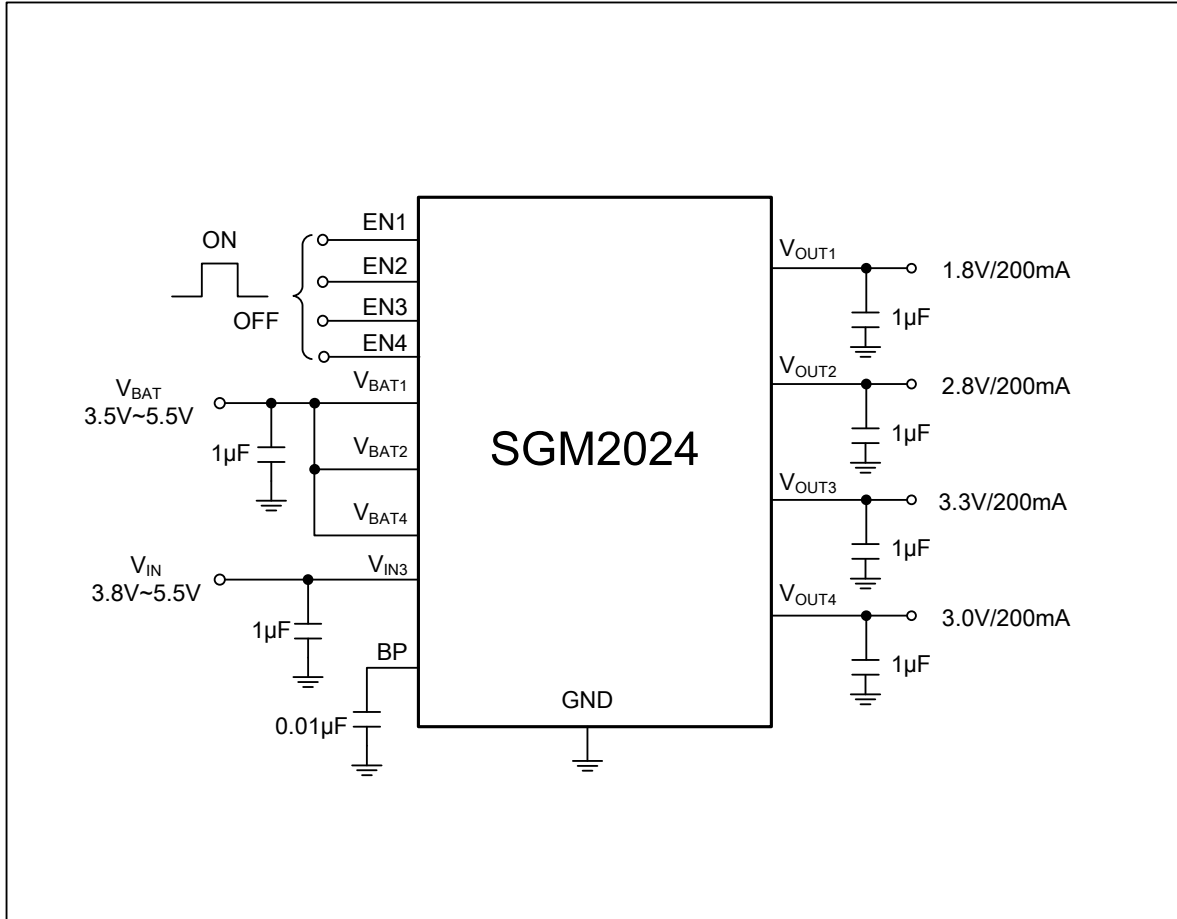


TYPICAL OPERATING CHARACTERISTICS

$V_{IN} = V_{OUT(NOMINAL)} + 0.5V$ or $2.5V$ (whichever is greater), $C_{IN} = 1\mu F$, $C_{OUT} = 1\mu F$, $C_{BP} = 0.01\mu F$, $T_A = +25^\circ C$, unless otherwise noted.



TYPICAL APPLICATION CIRCUIT

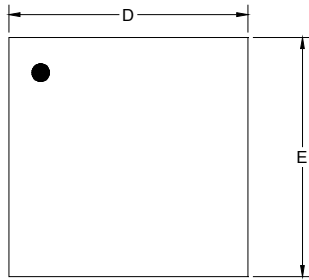


NOTES:

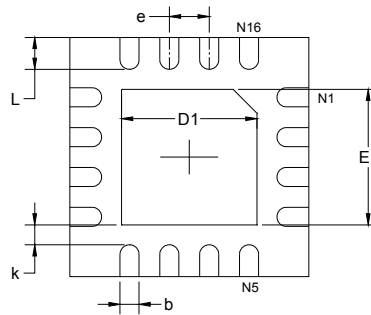
1. V_{BAT1} , V_{BAT2} and V_{BAT4} should be connected together and input voltage should not be less than 2.5V.
2. The input voltage of channel2 required to maintain voltage ranging from 3.3V to 5.5V.
3. To ensure stability, LDO's input and output terminals need to have a capacitor (no less than 1µF) respectively.
4. BP pin must be decoupled by a low-leakage 0.01µF ceramic capacitor in order to reduce output noise.

PACKAGE OUTLINE DIMENSIONS

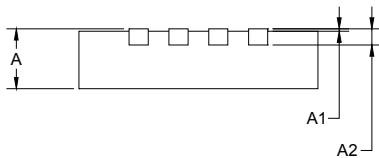
TQFN-3x3-16L



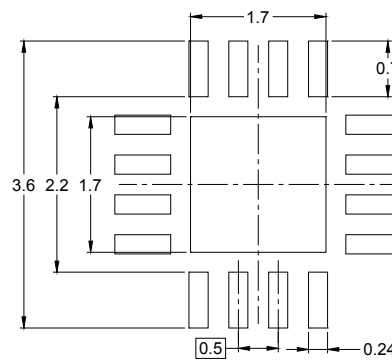
TOP VIEW



BOTTOM VIEW



SIDE VIEW

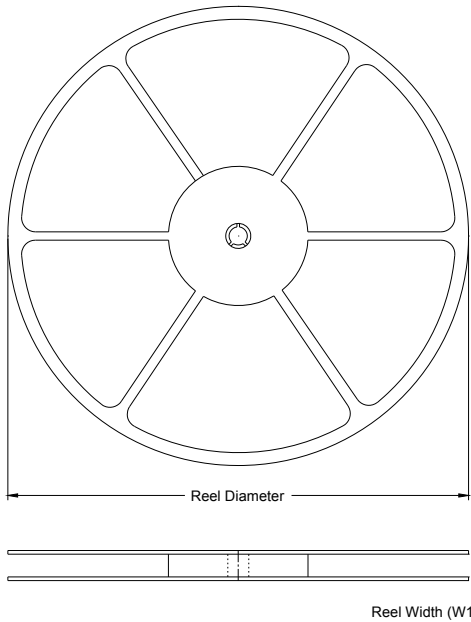


RECOMMENDED LAND PATTERN (Unit: mm)

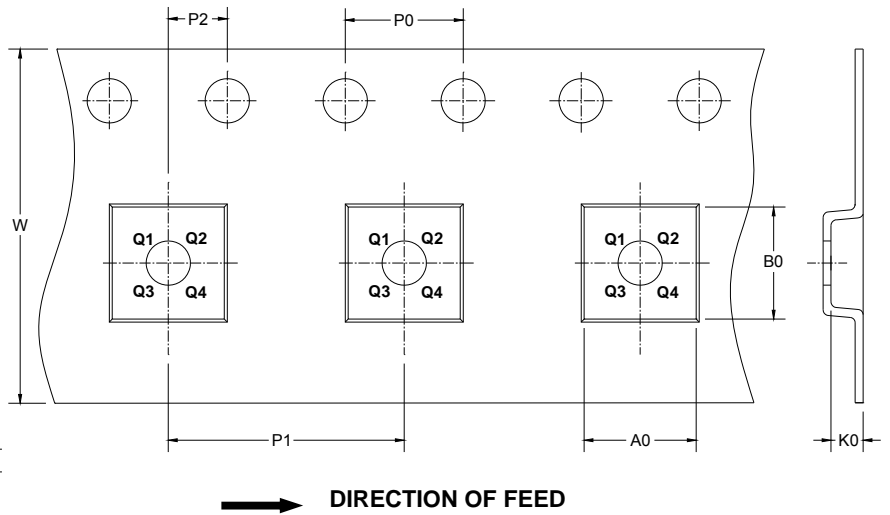
Symbol	Dimensions In Millimeters		Dimensions In Inches	
	MIN	MAX	MIN	MAX
A	0.700	0.800	0.028	0.031
A1	0.000	0.050	0.000	0.002
A2	0.203 REF		0.008 REF	
D	2.900	3.100	0.114	0.122
D1	1.600	1.800	0.063	0.071
E	2.900	3.100	0.114	0.122
E1	1.600	1.800	0.063	0.071
k	0.200 MIN		0.008 MIN	
b	0.180	0.300	0.007	0.012
e	0.500 TYP		0.020 TYP	
L	0.300	0.500	0.012	0.020

TAPE AND REEL INFORMATION

REEL DIMENSIONS



TAPE DIMENSIONS



NOTE: The picture is only for reference. Please make the object as the standard.

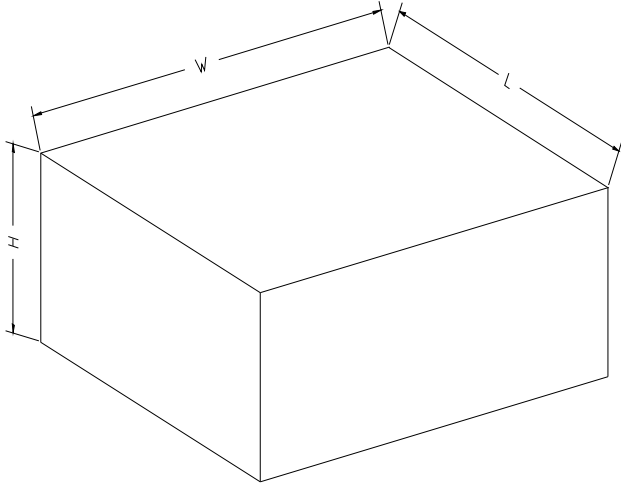
KEY PARAMETER LIST OF TAPE AND REEL

Package Type	Reel Diameter	Reel Width W1 (mm)	A0 (mm)	B0 (mm)	K0 (mm)	P0 (mm)	P1 (mm)	P2 (mm)	W (mm)	Pin1 Quadrant
TQFN-3×3-16L	13"	12.40	3.35	3.35	1.13	4.00	4.00	2.00	12.00	Q1

SGM2024

Quad, Low Power, Low Dropout, 200mA, RF-Linear Regulators

CARTON BOX DIMENSIONS



NOTE: The picture is only for reference. Please make the object as the standard.

KEY PARAMETER LIST OF CARTON BOX

Reel Type	Length (mm)	Width (mm)	Height (mm)	Pizza/Carton
13"	386	280	370	5