

High Speed Switching Diode

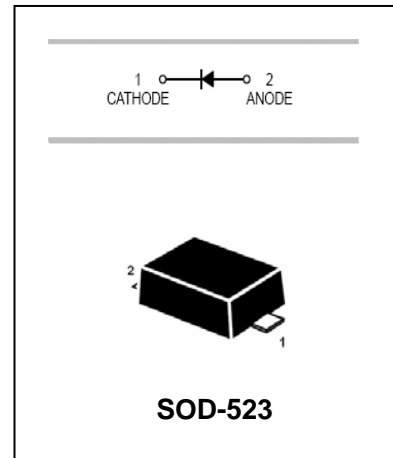
1SS387

FEATURES

- Low forward voltage.
- Fast reverse recovery time.
- Small total capacitance.



Lead-free



APPLICATIONS

- High-speed switching in surface mounted circuits.

ORDERING INFORMATION

Type No.	Marking	Package Code
1SS387	G	SOD-523

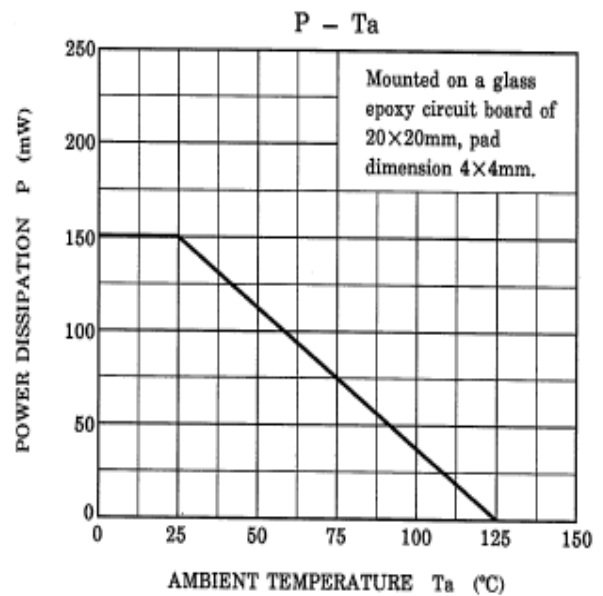
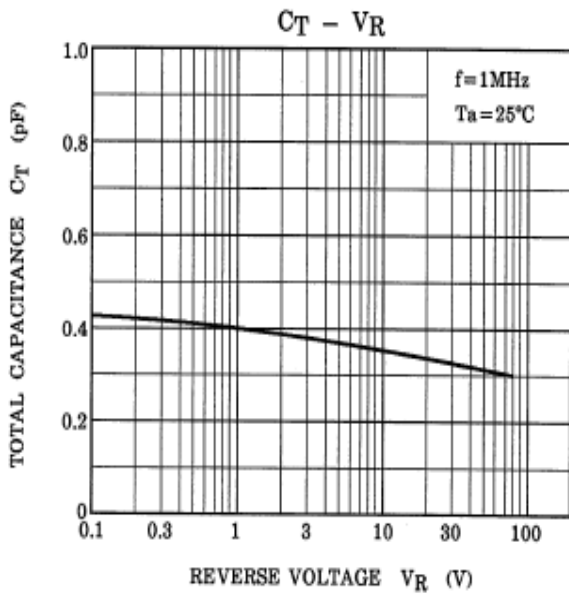
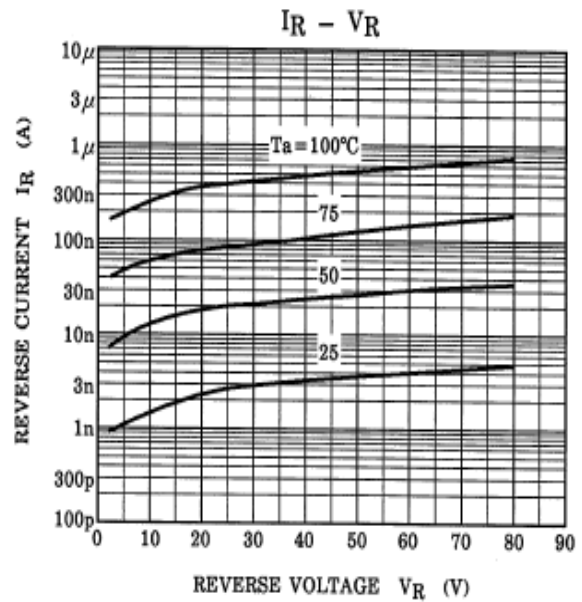
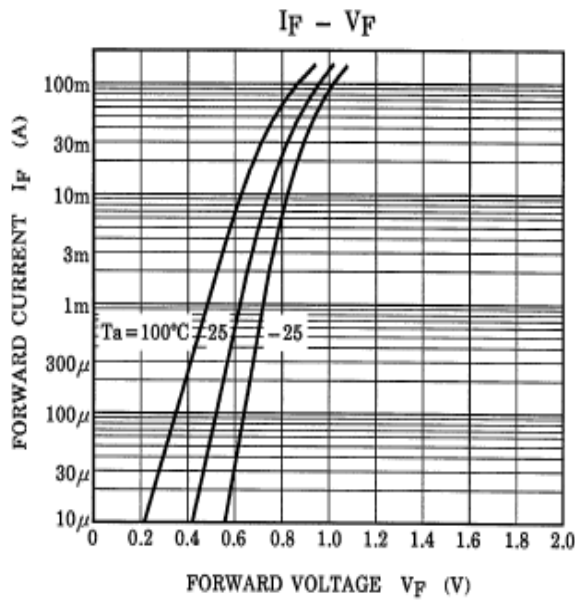
MAXIMUM RATING @ Ta=25°C unless otherwise specified

Parameter	Symbol	Limits	Unit
Repetitive peak reverse voltage	V_{RRM}	85	V
Reverse voltage	V_R	80	V
Continuous forward current	I_F	100	mA
Surge current	I_{FSM}	1	A
Total power dissipation	P_{tot}	150	mW
Junction temperature	T_j	125	°C
Storage temperature	T_{stg}	-55-125	°C

ELECTRICAL CHARACTERISTICS @ Ta=25°C unless otherwise specified

Parameter	Symbol	Min.	Typ.	Max.	Unit	Conditions
Forward voltage	V_F		0.62		V	$I_F=1mA$
			0.75		V	$I_F=10mA$
			0.98	1.2	V	$I_F=100mA$
Reverse current	I_R			0.1	μA	$V_R=30V$
				0.5	μA	$V_R=80V$
Diode capacitance	C_d		0.5	3	pF	$V_R=0, f=1MHz$
Reverse recovery time	t_{rr}		1.6	4	ns	$I_F=10mA$

TYPICAL CHARACTERISTICS @ $T_a=25^\circ\text{C}$ unless otherwise specified



Diode Semiconductor Korea

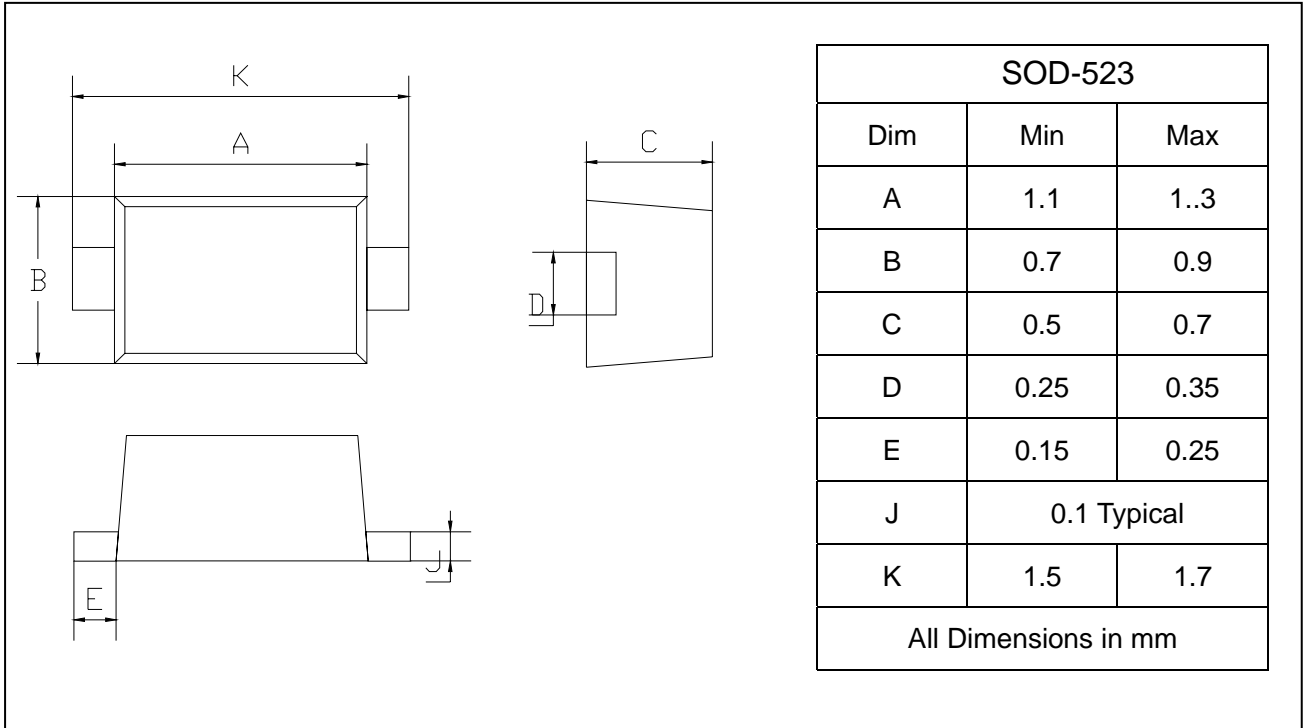
High Speed Switching Diode

1SS387

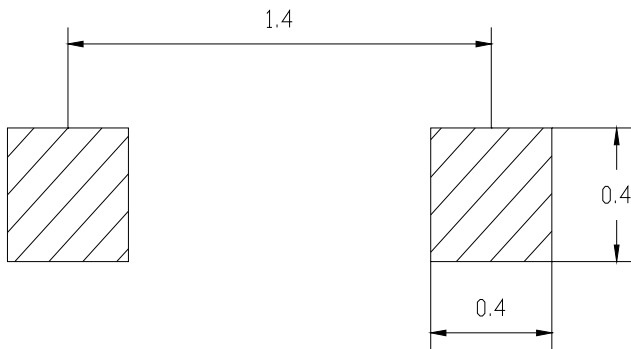
PACKAGE OUTLINE

Plastic surface mounted package

SOD-523



SOLDERING FOOTPRINT



Unit: mm

PACKAGE INFORMATION

Device	Package	Shipping
1SS387	SOD-523	3000/Tape&Reel