

Cree® XLamp® MX Family LEDs



TABLE OF CONTENTS

Bin and Order-Code Formats.....	2
Performance Groups – Brightness.....	3
Performance Groups – V_F	3
Performance Groups – Chromaticity.....	4
Cree’s Standard Chromaticity Regions Plotted on the 1931 CIE Curve.....	7
Standard Order Codes and Bins	
MX-3 Cool White.....	8
MX-3 Warm White.....	9
MX-6 Cool White.....	10
MX-6 80-CRI Minimum Cool White.....	11
MX-6 80-CRI Minimum, White.....	12
MX-6 Outdoor Warm White.....	14
MX-6 Warm White.....	15
MX-6 2200 K, Warm White.....	16
MX-3S Cool White.....	17
MX-3S Warm White.....	18
MX-6S Cool White.....	19
MX-6S 80-CRI Minimum, Cool White.....	20
MX-6S 80-CRI Minimum, White.....	21
MX-6S Warm White.....	23

INTRODUCTION

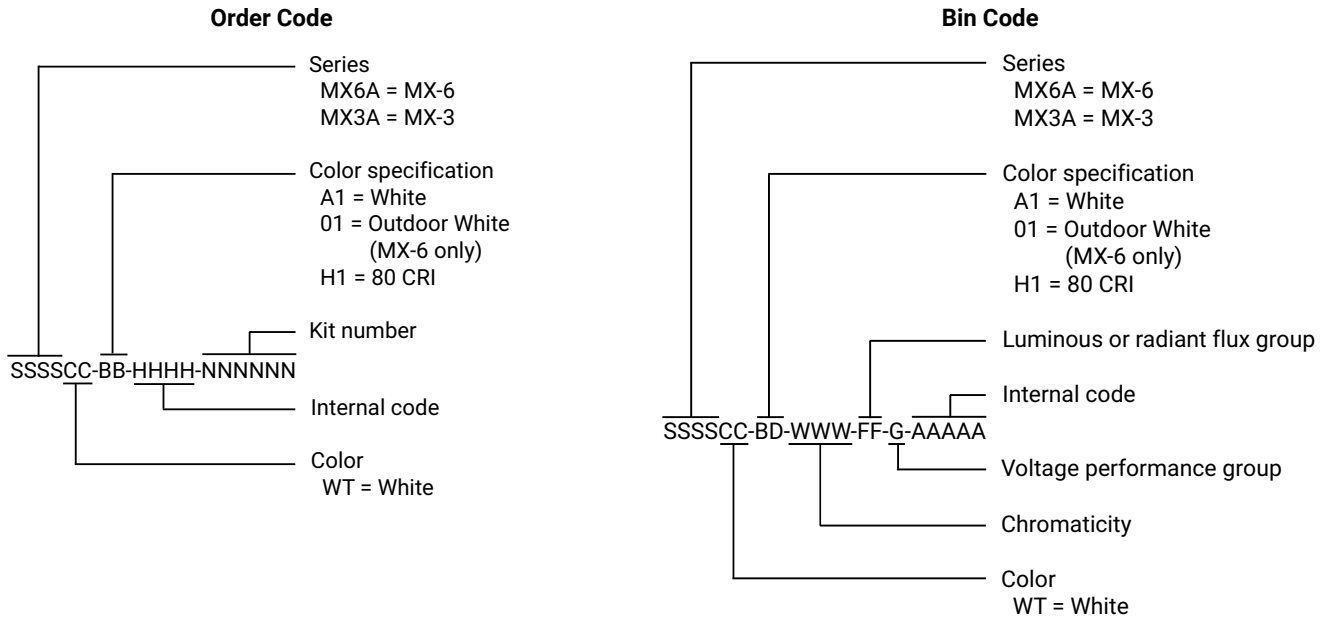
This document describes the product nomenclature required to select and order Cree’s XLamp® MX Family of LEDs. XLamp MX Family LEDs are tested and sorted into bins which are then combined into orderable kits identified by an order code.

All XLamp LEDs are tested and sorted by color and brightness into a unique bin. Each bin contains LEDs from only one color and brightness group and is uniquely identified by a bin code. White XLamp LEDs are sorted by chromaticity (color), luminous flux (brightness) and sometimes voltage and/or color rendering index (CRI). LEDs are shipped on reels containing LEDs from one bin and are always labeled with the appropriate bin code.

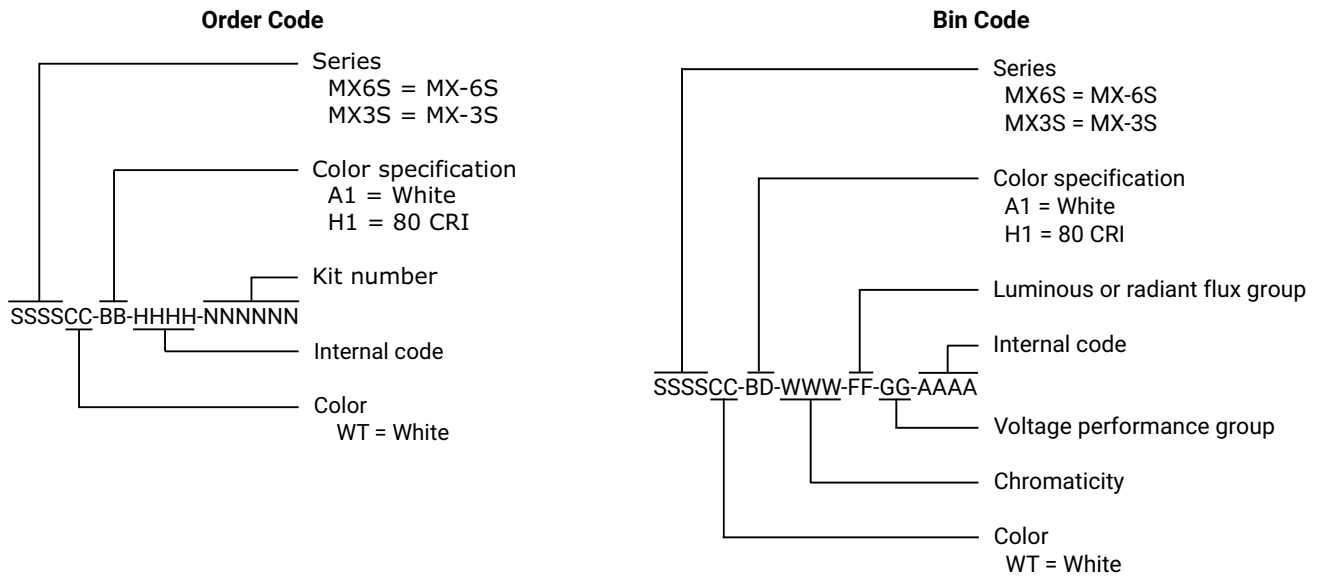
Kits contain LEDs from a number of similar bins and are fully defined by their order codes. A full explanation of the order codes for XLamp MX Family LEDs, as well as a list of standard order codes, is provided in this document.

BIN AND ORDER-CODE FORMATS

For MX-6 and MX-3 (parallel), bin codes and order codes are configured in the following manner:



For MX-6 and MX-3 (series), bin codes and order codes are configured in the following manner:



PERFORMANCE GROUPS – BRIGHTNESS

White XLamp MX Family LEDs are tested for luminous flux and placed into one of the following luminous-flux groups:

Group Code	Minimum Luminous Flux (lm)	Maximum Luminous Flux (lm)
N4	62	67.2
P2	67.2	73.9
P3	73.9	80.6
P4	80.6	87.4
Q2	87.4	93.9
Q3	93.9	100
Q4	100	107
Q5	107	114
R2	114	122
R3	122	130
R4	130	139
R5	139	148

PERFORMANCE GROUPS – V_F

MX-6 Group Code	Minimum $V @ 300 \text{ mA}$	Maximum $V @ 300 \text{ mA}$
D	2.8	3.2
E	3.2	3.6
F	3.6	3.8
0	No V_F Binning	

MX-3 Group Code	Minimum $V @ 350 \text{ mA}$	Maximum $V @ 350 \text{ mA}$
D	2.8	3.2
E	3.2	3.6
F	3.6	4.0
0	No V_F Binning	

MX-6S Group Code	Minimum $V @ 60 \text{ mA}$	Maximum $V @ 60 \text{ mA}$
RA	17.0	17.5
RB	17.5	18.0
SA	18.0	18.5
SB	18.5	19.0
TA	19.0	19.5
TB	19.5	20.0
UA	20.0	20.5
UB	20.5	21.0
VA	21.0	21.5
VB	21.5	22.0
00	No V_F Binning	

MX-3S Group Code	Minimum $V @ 115 \text{ mA}$	Maximum $V @ 115 \text{ mA}$
GB	8.5	9.0
HA	9.0	9.5
HB	9.5	10.0
JA	10.0	10.5
JB	10.5	11.0
KA	11.0	11.5
KB	11.5	12.0
00	No V_F Binning	

PERFORMANCE GROUPS – CHROMATICITY

Region	x	y	Region	x	y	Region	x	y	Region	x	y
0A	0.2950	0.2970	0B	0.2920	0.3060	0C	0.2984	0.3133	0D	0.2984	0.3133
	0.2920	0.3060		0.2895	0.3135		0.2962	0.3220		0.3048	0.3207
	0.2984	0.3133		0.2962	0.3220		0.3028	0.3304		0.3068	0.3113
	0.3009	0.3042		0.2984	0.3133		0.3048	0.3207		0.3009	0.3042
0R	0.2980	0.2880	0S	0.2895	0.3135	0T	0.2962	0.3220	0U	0.3037	0.2937
	0.2950	0.2970		0.2870	0.3210		0.2937	0.3312		0.3009	0.3042
	0.3009	0.3042		0.2937	0.3312		0.3005	0.3415		0.3068	0.3113
	0.3037	0.2937		0.2962	0.3220		0.3028	0.3304		0.3093	0.2993
1A	0.3048	0.3207	1B	0.3028	0.3304	1C	0.3115	0.3391	1D	0.3130	0.3290
	0.3130	0.3290		0.3115	0.3391		0.3205	0.3481		0.3213	0.3373
	0.3144	0.3186		0.3130	0.3290		0.3213	0.3373		0.3221	0.3261
	0.3068	0.3113		0.3048	0.3207		0.3130	0.3290		0.3144	0.3186
1R	0.3068	0.3113	1S	0.3005	0.3415	1T	0.3099	0.3509	1U	0.3144	0.3186
	0.3144	0.3186		0.3099	0.3509		0.3196	0.3602		0.3221	0.3261
	0.3161	0.3059		0.3115	0.3391		0.3205	0.3481		0.3231	0.3120
	0.3093	0.2993		0.3028	0.3304		0.3115	0.3391		0.3161	0.3059
2A	0.3215	0.3350	2B	0.3207	0.3462	2C	0.3290	0.3538	2D	0.3290	0.3417
	0.3290	0.3417		0.3290	0.3538		0.3376	0.3616		0.3371	0.3490
	0.3290	0.3300		0.3290	0.3417		0.3371	0.3490		0.3366	0.3369
	0.3222	0.3243		0.3215	0.3350		0.3290	0.3417		0.3290	0.3300
2R	0.3222	0.3243	2S	0.3196	0.3602	2T	0.3290	0.3690	2U	0.3290	0.3300
	0.3290	0.3300		0.3290	0.3690		0.3381	0.3762		0.3366	0.3369
	0.3290	0.3180		0.3290	0.3538		0.3376	0.3616		0.3361	0.3245
	0.3231	0.3120		0.3207	0.3462		0.3290	0.3538		0.3290	0.3180
3A	0.3371	0.3490	3B	0.3376	0.3616	3C	0.3463	0.3687	3D	0.3451	0.3554
	0.3451	0.3554		0.3463	0.3687		0.3551	0.3760		0.3533	0.3620
	0.3440	0.3427		0.3451	0.3554		0.3533	0.3620		0.3515	0.3487
	0.3366	0.3369		0.3371	0.3490		0.3451	0.3554		0.3440	0.3427
3R	0.3366	0.3369	3S	0.3381	0.3762	3T	0.3480	0.3840	3U	0.3440	0.3428
	0.3440	0.3428		0.3480	0.3840		0.3571	0.3907		0.3515	0.3487
	0.3429	0.3307		0.3463	0.3687		0.3551	0.3760		0.3495	0.3339
	0.3361	0.3245		0.3376	0.3616		0.3463	0.3687		0.3429	0.3307
4A	0.3530	0.3597	4B	0.3548	0.3736	4C	0.3641	0.3804	4D	0.3615	0.3659
	0.3615	0.3659		0.3641	0.3804		0.3736	0.3874		0.3702	0.3722
	0.3590	0.3521		0.3615	0.3659		0.3702	0.3722		0.3670	0.3578
	0.3512	0.3465		0.3530	0.3597		0.3615	0.3659		0.3590	0.3521
4R	0.3512	0.3465	4S	0.3571	0.3907	4T	0.3668	0.3957	4U	0.3590	0.3521
	0.3590	0.3521		0.3668	0.3957		0.3771	0.4034		0.3670	0.3578
	0.3567	0.3389		0.3641	0.3804		0.3736	0.3874		0.3640	0.3440
	0.3495	0.3339		0.3548	0.3736		0.3641	0.3804		0.3567	0.3389

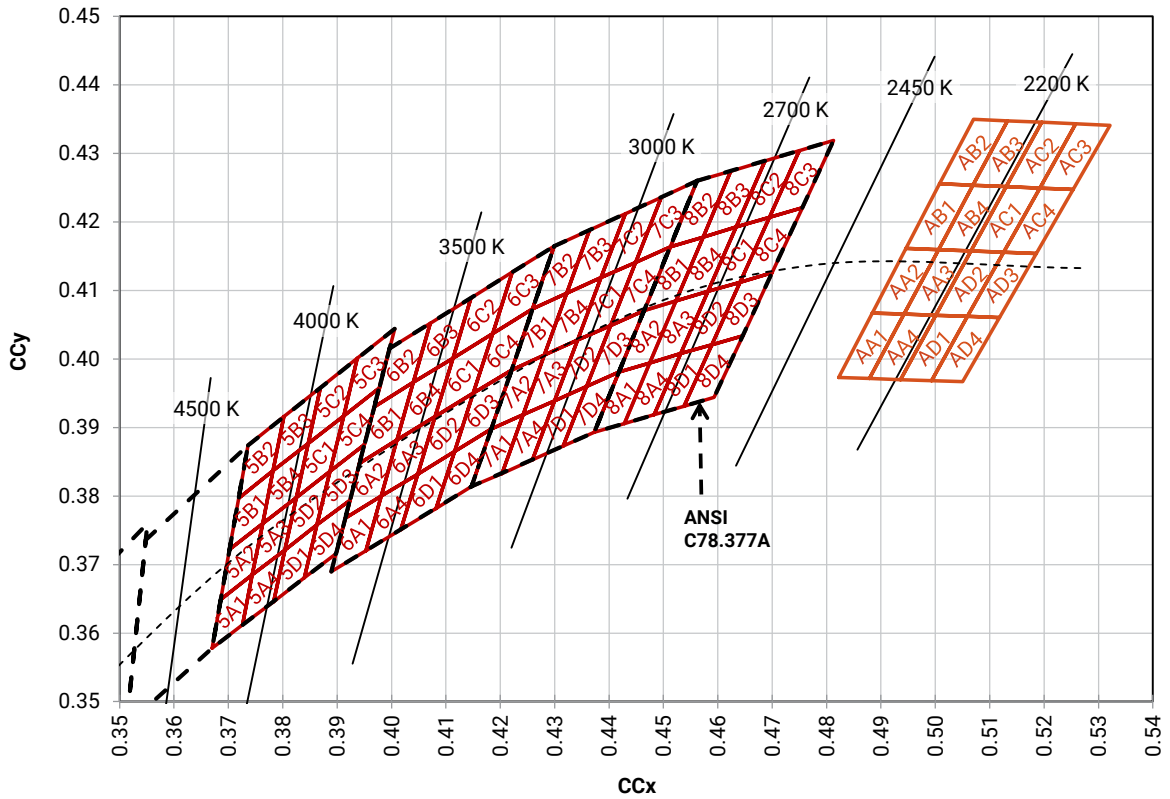
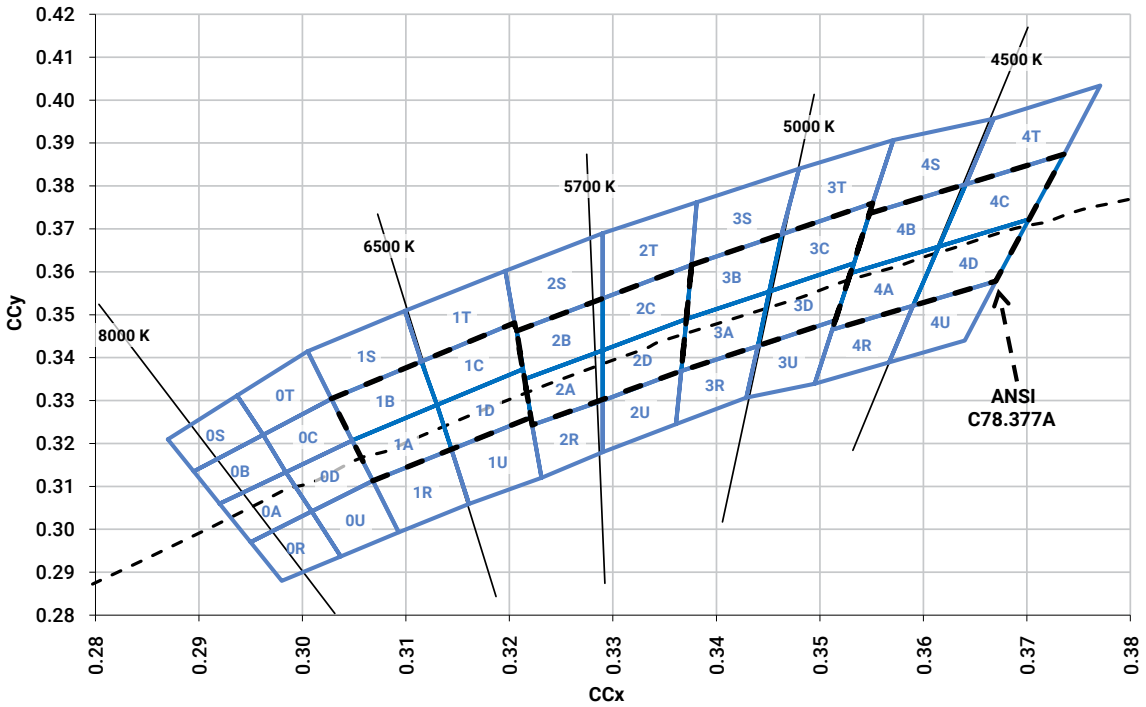
PERFORMANCE GROUPS – CHROMATICITY (CONTINUED)

Region	x	y	Region	x	y	Region	x	y	Region	x	y
5A1	0.3670	0.3578	5A2	0.3686	0.3649	5A3	0.3744	0.3685	5A4	0.3726	0.3612
	0.3686	0.3649		0.3702	0.3722		0.3763	0.3760		0.3744	0.3685
	0.3744	0.3685		0.3763	0.3760		0.3825	0.3798		0.3804	0.3721
	0.3726	0.3612		0.3744	0.3685		0.3804	0.3721		0.3783	0.3646
5B1	0.3702	0.3722	5B2	0.3719	0.3797	5B3	0.3782	0.3837	5B4	0.3763	0.3760
	0.3719	0.3797		0.3736	0.3874		0.3802	0.3916		0.3782	0.3837
	0.3782	0.3837		0.3802	0.3916		0.3869	0.3958		0.3847	0.3877
	0.3763	0.3760		0.3782	0.3837		0.3847	0.3877		0.3825	0.3798
5C1	0.3825	0.3798	5C2	0.3847	0.3877	5C3	0.3912	0.3917	5C4	0.3887	0.3836
	0.3847	0.3877		0.3869	0.3958		0.3937	0.4001		0.3912	0.3917
	0.3912	0.3917		0.3937	0.4001		0.4006	0.4044		0.3978	0.3958
	0.3887	0.3836		0.3912	0.3917		0.3978	0.3958		0.3950	0.3875
5D1	0.3783	0.3646	5D2	0.3804	0.3721	5D3	0.3863	0.3758	5D4	0.3840	0.3681
	0.3804	0.3721		0.3825	0.3798		0.3887	0.3836		0.3863	0.3758
	0.3863	0.3758		0.3887	0.3836		0.3950	0.3875		0.3924	0.3794
	0.3840	0.3681		0.3863	0.3758		0.3924	0.3794		0.3898	0.3716
6A1	0.3889	0.3690	6A2	0.3915	0.3768	6A3	0.3981	0.3800	6A4	0.3953	0.3720
	0.3915	0.3768		0.3941	0.3848		0.4010	0.3882		0.3981	0.3800
	0.3981	0.3800		0.4010	0.3882		0.4080	0.3916		0.4048	0.3832
	0.3953	0.3720		0.3981	0.3800		0.4048	0.3832		0.4017	0.3751
6B1	0.3941	0.3848	6B2	0.3968	0.3930	6B3	0.4040	0.3966	6B4	0.4010	0.3882
	0.3968	0.3930		0.3996	0.4015		0.4071	0.4052		0.4040	0.3966
	0.4040	0.3966		0.4071	0.4052		0.4146	0.4089		0.4113	0.4001
	0.4010	0.3882		0.4040	0.3966		0.4113	0.4001		0.4080	0.3916
6C1	0.4080	0.3916	6C2	0.4113	0.4001	6C3	0.4186	0.4037	6C4	0.4150	0.3950
	0.4113	0.4001		0.4146	0.4089		0.4222	0.4127		0.4186	0.4037
	0.4186	0.4037		0.4222	0.4127		0.4299	0.4165		0.4259	0.4073
	0.4150	0.3950		0.4186	0.4037		0.4259	0.4073		0.4221	0.3984
6D1	0.4017	0.3751	6D2	0.4048	0.3832	6D3	0.4116	0.3865	6D4	0.4082	0.3782
	0.4048	0.3832		0.4080	0.3916		0.4150	0.3950		0.4116	0.3865
	0.4116	0.3865		0.4150	0.3950		0.4221	0.3984		0.4183	0.3898
	0.4082	0.3782		0.4116	0.3865		0.4183	0.3898		0.4147	0.3814
7A1	0.4147	0.3814	7A2	0.4183	0.3898	7A3	0.4242	0.3919	7A4	0.4203	0.3833
	0.4183	0.3898		0.4221	0.3984		0.4281	0.4006		0.4242	0.3919
	0.4242	0.3919		0.4281	0.4006		0.4342	0.4028		0.4300	0.3939
	0.4203	0.3833		0.4242	0.3919		0.4300	0.3939		0.4259	0.3853
7B1	0.4221	0.3984	7B2	0.4259	0.4073	7B3	0.4322	0.4096	7B4	0.4281	0.4006
	0.4259	0.4073		0.4299	0.4165		0.4364	0.4188		0.4322	0.4096
	0.4322	0.4096		0.4364	0.4188		0.4430	0.4212		0.4385	0.4119
	0.4281	0.4006		0.4322	0.4096		0.4385	0.4119		0.4342	0.4028

PERFORMANCE GROUPS – CHROMATICITY (CONTINUED)

Region	x	y	Region	x	y	Region	x	y	Region	x	y
7C1	0.4342	0.4028	7C2	0.4385	0.4119	7C3	0.4449	0.4141	7C4	0.4403	0.4049
	0.4385	0.4119		0.4430	0.4212		0.4496	0.4236		0.4449	0.4141
	0.4449	0.4141		0.4496	0.4236		0.4562	0.4260		0.4513	0.4164
	0.4403	0.4049		0.4449	0.4141		0.4513	0.4164		0.4465	0.4071
7D1	0.4259	0.3853	7D2	0.4300	0.3939	7D3	0.4359	0.3960	7D4	0.4316	0.3873
	0.4300	0.3939		0.4342	0.4028		0.4403	0.4049		0.4359	0.3960
	0.4359	0.3960		0.4403	0.4049		0.4465	0.4071		0.4418	0.3981
	0.4316	0.3873		0.4359	0.3960		0.4418	0.3981		0.4373	0.3893
8A1	0.4373	0.3893	8A2	0.4418	0.3981	8A3	0.4475	0.3994	8A4	0.4428	0.3906
	0.4418	0.3981		0.4465	0.4071		0.4523	0.4085		0.4475	0.3994
	0.4475	0.3994		0.4523	0.4085		0.4582	0.4099		0.4532	0.4008
	0.4428	0.3906		0.4475	0.3994		0.4532	0.4008		0.4483	0.3919
8B1	0.4465	0.4071	8B2	0.4513	0.4164	8B3	0.4573	0.4178	8B4	0.4523	0.4085
	0.4513	0.4164		0.4562	0.4260		0.4624	0.4274		0.4573	0.4178
	0.4573	0.4178		0.4624	0.4274		0.4687	0.4289		0.4634	0.4193
	0.4523	0.4085		0.4573	0.4178		0.4634	0.4193		0.4582	0.4099
8C1	0.4582	0.4099	8C2	0.4634	0.4193	8C3	0.4695	0.4207	8C4	0.4641	0.4112
	0.4634	0.4193		0.4687	0.4289		0.4750	0.4304		0.4695	0.4207
	0.4695	0.4207		0.4750	0.4304		0.4813	0.4319		0.4756	0.4221
	0.4641	0.4112		0.4695	0.4207		0.4756	0.4221		0.4700	0.4126
8D1	0.4483	0.3919	8D2	0.4532	0.4008	8D3	0.4589	0.4021	8D4	0.4538	0.3931
	0.4532	0.4008		0.4582	0.4099		0.4641	0.4112		0.4589	0.4021
	0.4589	0.4021		0.4641	0.4112		0.4700	0.4126		0.4646	0.4034
	0.4538	0.3931		0.4589	0.4021		0.4646	0.4034		0.4593	0.3944
AA1	0.4822	0.3973	AA2	0.4884	0.4067	AA3	0.4942	0.4066	AA4	0.4879	0.3972
	0.4884	0.4067		0.4946	0.4162		0.5006	0.4160		0.4942	0.4066
	0.4942	0.4066		0.5006	0.4160		0.5066	0.4158		0.5001	0.4064
	0.4879	0.3972		0.4942	0.4066		0.5001	0.4064		0.4936	0.3970
AB1	0.4946	0.4162	AB2	0.5008	0.4256	AB3	0.5008	0.4256	AB4	0.4946	0.4162
	0.5008	0.4256		0.5070	0.4350		0.5070	0.4350		0.5008	0.4256
	0.5069	0.4254		0.5133	0.4348		0.5133	0.4348		0.5069	0.4254
	0.5006	0.4160		0.5069	0.4254		0.5069	0.4254		0.5006	0.4160
AC1	0.5066	0.4158	AC2	0.5131	0.4252	AC3	0.5192	0.4250	AC4	0.5126	0.4156
	0.5131	0.4252		0.5196	0.4346		0.5258	0.4343		0.5192	0.4250
	0.5192	0.4250		0.5258	0.4343		0.5321	0.4341		0.5253	0.4248
	0.5126	0.4156		0.5192	0.4250		0.5253	0.4248		0.5186	0.4154
AD1	0.4936	0.3970	AD2	0.5001	0.4064	AD3	0.5059	0.4062	AD4	0.4993	0.3969
	0.5001	0.4064		0.5066	0.4158		0.5126	0.4156		0.5059	0.4062
	0.5059	0.4062		0.5126	0.4156		0.5186	0.4154		0.5118	0.4061
	0.4993	0.3969		0.5059	0.4062		0.5118	0.4061		0.5050	0.3967

CREE'S STANDARD CHROMATICITY REGIONS PLOTTED ON THE 1931 CIE CURVE



STANDARD ORDER CODES AND BINS (MX-3 COOL WHITE)

The following tables list standard kit numbers and performance bins. Kit numbers completely describe an order code's chromaticity regions and luminous flux range. For other flux and chromaticity combinations, contact Cree or an authorized distributor.

XLamp MX-3 LED Standard Order Codes - Cool White					
Minimum Luminous Flux @ 350 mA*		Calculated Minimum Luminous Flux @ 300 mA**	Chromaticity Regions	Order Code	CCT
Group	Flux (lm)	Flux (lm)			
Cool White (4,300 K – 8,300 K)					
Q2	87.4	77	2C,2D,2U,2T,3A,3B,3C,3D,3R,3S,3T,3U,4A,4B,4R,4S	MX3AWT-A1-0000-000ADZ	5000 K
			3A,3B,3C,3D,4A,4B,4C,4D	MX3AWT-A1-0000-000AB1	4750 K
			3A,3B,3C,3D	MX3AWT-A1-0000-000AE3	5000 K
			3C,3D,4A,4B	MX3AWT-A1-0000-000AF4	4750 K
			4A,4B,4C,4D	MX3AWT-A1-0000-000AE4	4500 K
			4C,4D,5A1,5A2,5A3,5A4,5B1,5B2,5B3,5B4	MX3AWT-A1-0000-000AF5	4300 K
Q3	93.9	82	0A,0B,0C,0D,0R,0S,0T,0U,1A,1B,1C,1D,1R,1S,1T,1U,2A,2B,2C,2D,2R,2S,2T,2U,3A,3B,3R,3S	MX3AWT-A1-0000-000B51	6500 K
			1A,1B,1C,1D,1R,1S,1T,1U,2A,2B,2C,2D,2R,2S,2T,3A,3B,3S	MX3AWT-A1-0000-000B53	6000 K
			1A,1B,1C,1D,2A,2B,2C,2D	MX3AWT-A1-0000-000B50	6000 K
			2C,2D,2U,2T,3A,3B,3C,3D,3R,3S,3T,3U,4A,4B,4R,4S	MX3AWT-A1-0000-000BDZ	5000 K
			3A,3B,3C,3D,4A,4B,4C,4D	MX3AWT-A1-0000-000BB1	4750 K
			3A,3B,3C,3D	MX3AWT-A1-0000-000BE3	5000 K
			3C,3D,4A,4B	MX3AWT-A1-0000-000BF4	4750 K
			4A,4B,4C,4D	MX3AWT-A1-0000-000BE4	4500 K
Q4	100	87	4C,4D,5A1,5A2,5A3,5A4,5B1,5B2,5B3,5B4	MX3AWT-A1-0000-000BF5	4300 K
			0A,0B,0C,0D,0R,0S,0T,0U,1A,1B,1C,1D,1R,1S,1T,1U,2A,2B,2C,2D,2R,2S,2T,2U,3A,3B,3R,3S	MX3AWT-A1-0000-000C51	6500 K
			1A,1B,1C,1D,1R,1S,1T,1U,2A,2B,2C,2D,2R,2S,2T,3A,3B,3S	MX3AWT-A1-0000-000C53	6000 K
			1A,1B,1C,1D,2A,2B,2C,2D	MX3AWT-A1-0000-000C50	6000 K
			2C,2D,2U,2T,3A,3B,3C,3D,3R,3S,3T,3U,4A,4B,4R,4S	MX3AWT-A1-0000-000CDZ	5000 K
			3A,3B,3C,3D	MX3AWT-A1-0000-000CE3	5000 K
			3C,3D,4A,4B	MX3AWT-A1-0000-000CF4	4750 K
			4A,4B,4C,4D	MX3AWT-A1-0000-000CE4	4500 K
Q5	107	93.9	4C,4D,5A1,5A2,5A3,5A4,5B1,5B2,5B3,5B4	MX3AWT-A1-0000-000CF5	4300 K
			0A,0B,0C,0D,0R,0S,0T,0U,1A,1B,1C,1D,1R,1S,1T,1U,2A,2B,2C,2D,2R,2S,2T,2U,3A,3B,3R,3S	MX3AWT-A1-0000-000D51	6500 K
			1A,1B,1C,1D,1R,1S,1T,1U,2A,2B,2C,2D,2R,2S,2T,3A,3B,3S	MX3AWT-A1-0000-000D53	6000 K
			1A,1B,1C,1D,2A,2B,2C,2D	MX3AWT-A1-0000-000D50	6000 K
			2C,2D,2U,2T,3A,3B,3C,3D,3R,3S,3T,3U,4A,4B,4R,4S	MX3AWT-A1-0000-000DDZ	5000 K
			3A,3B,3C,3D	MX3AWT-A1-0000-000DE3	5000 K
			3C,3D,4A,4B	MX3AWT-A1-0000-000DF4	4750 K
R2	114	100	4A,4B,4C,4D	MX3AWT-A1-0000-000DE4	4500 K
			0A,0B,0C,0D,0R,0S,0T,0U,1A,1B,1C,1D,1R,1S,1T,1U,2A,2B,2C,2D,2R,2S,2T,2U,3A,3B,3R,3S	MX3AWT-A1-0000-000E51	6500 K
			1A,1B,1C,1D,1R,1S,1T,1U,2A,2B,2C,2D,2R,2S,2T,3A,3B,3S	MX3AWT-A1-0000-000E53	6000 K
			1A,1B,1C,1D,2A,2B,2C,2D	MX3AWT-A1-0000-000E50	6000 K

* Cree XLamp MX Family LED order codes specify only a minimum flux bin and not a maximum. Cree may ship reels in flux bins higher than the minimum specified by the order code without advance notice. Shipments will always adhere to the chromaticity or DWL bin restrictions specified by the order code.

** Calculated values for reference purposes only.

STANDARD ORDER CODES AND BINS (MX-3 WARM WHITE)

The following tables list standard kit numbers and performance bins. Kit numbers completely describe an order code's chromaticity regions and luminous flux range. For other flux and chromaticity combinations, contact Cree or an authorized distributor.

XLamp MX-3 LED Standard Order Codes - Warm White					
Minimum Luminous Flux @ 350 mA*		Calculated Minimum Luminous Flux @ 300 mA**	Chromaticity Regions	Order Code	CCT
Group	Flux (lm)	Flux (lm)			
Warm White (2,600 K – 4,300 K)					
P2	67.2	59	7C1,7C2,7C3,7C4,7D1,7D2,7D3,7D4,8A1,8A2,8A3,8A4,8B1,8B2,8B3,8B4	MX6AWT-A1-0000-0007F8	2900 K
			8A1,8A2,8A3,8A4,8B1,8B2,8B3,8B4,8C1,8C2,8C3,8C4,8D1,8D2,8D3,8D4	MX6AWT-A1-0000-0007E8	2700 K
P3	73.9	65	5C1,5C2,5C3,5C4,5D1,5D2,5D3,5D4,6A1,6A2,6A3,6A4,6B1,6B2,6B3,6B4	MX3AWT-A1-0000-0008F6	3700 K
			6A1,6A2,6A3,6A4,6B1,6B2,6B3,6B4,6C1,6C2,6C3,6C4,6D1,6D2,6D3,6D4	MX3AWT-A1-0000-0008E6	3500 K
			6C1,6C2,6C3,6C4,6D1,6D2,6D3,6D4,7A1,7A2,7A3,7A4,7B1,7B2,7B3,7B4	MX3AWT-A1-0000-0008F7	3200 K
			7A1,7A2,7A3,7A4,7B1,7B2,7B3,7B4,7C1,7C2,7C3,7C4,7D1,7D2,7D3,7D4	MX3AWT-A1-0000-0008E7	3000 K
			7C1,7C2,7C3,7C4,7D1,7D2,7D3,7D4,8A1,8A2,8A3,8A4,8B1,8B2,8B3,8B4	MX3AWT-A1-0000-0008F8	2900 K
			8A1,8A2,8A3,8A4,8B1,8B2,8B3,8B4,8C1,8C2,8C3,8C4,8D1,8D2,8D3,8D4	MX3AWT-A1-0000-0008E8	2700 K
P4	80.6	70	5C1,5C2,5C3,5C4,5D1,5D2,5D3,5D4,6A1,6A2,6A3,6A4,6B1,6B2,6B3,6B4	MX3AWT-A1-0000-0009F6	3700 K
			6A1,6A2,6A3,6A4,6B1,6B2,6B3,6B4,6C1,6C2,6C3,6C4,6D1,6D2,6D3,6D4	MX3AWT-A1-0000-0009E6	3500 K
			6C1,6C2,6C3,6C4,6D1,6D2,6D3,6D4,7A1,7A2,7A3,7A4,7B1,7B2,7B3,7B4	MX3AWT-A1-0000-0009F7	3200 K
			7A1,7A2,7A3,7A4,7B1,7B2,7B3,7B4,7C1,7C2,7C3,7C4,7D1,7D2,7D3,7D4	MX3AWT-A1-0000-0009E7	3000 K
			7C1,7C2,7C3,7C4,7D1,7D2,7D3,7D4,8A1,8A2,8A3,8A4,8B1,8B2,8B3,8B4	MX3AWT-A1-0000-0009F8	2900 K
Q2	87.4	76	8A1,8A2,8A3,8A4,8B1,8B2,8B3,8B4,8C1,8C2,8C3,8C4,8D1,8D2,8D3,8D4	MX3AWT-A1-0000-0009E8	2700 K
			4C,4D,5A1,5A2,5A3,5A4,5B1,5B2,5B3,5B4	MX3AWT-A1-0000-000AF5	4300 K
			5A1,5A2,5A3,5A4,5B1,5B2,5B3,5B4,5C1,5C2,5C3,5C4,5D1,5D2,5D3,5D4	MX3AWT-A1-0000-000AE5	4000 K
			5C1,5C2,5C3,5C4,5D1,5D2,5D3,5D4,6A1,6A2,6A3,6A4,6B1,6B2,6B3,6B4	MX3AWT-A1-0000-000AF6	3700 K
			6A1,6A2,6A3,6A4,6B1,6B2,6B3,6B4,6C1,6C2,6C3,6C4,6D1,6D2,6D3,6D4	MX3AWT-A1-0000-000AE6	3500 K
			6C1,6C2,6C3,6C4,6D1,6D2,6D3,6D4,7A1,7A2,7A3,7A4,7B1,7B2,7B3,7B4	MX3AWT-A1-0000-000AF7	3200 K
			7A1,7A2,7A3,7A4,7B1,7B2,7B3,7B4,7C1,7C2,7C3,7C4,7D1,7D2,7D3,7D4	MX3AWT-A1-0000-000AE7	3000 K
			7C1,7C2,7C3,7C4,7D1,7D2,7D3,7D4,8A1,8A2,8A3,8A4,8B1,8B2,8B3,8B4	MX3AWT-A1-0000-000AF8	2900 K
Q3	93.9	82	8A1,8A2,8A3,8A4,8B1,8B2,8B3,8B4,8C1,8C2,8C3,8C4,8D1,8D2,8D3,8D4	MX3AWT-A1-0000-000AE8	2700 K
			4C,4D,5A1,5A2,5A3,5A4,5B1,5B2,5B3,5B4	MX3AWT-A1-0000-000BF5	4300 K
			5A1,5A2,5A3,5A4,5B1,5B2,5B3,5B4,5C1,5C2,5C3,5C4,5D1,5D2,5D3,5D4	MX3AWT-A1-0000-000BE5	4000 K
			5C1,5C2,5C3,5C4,5D1,5D2,5D3,5D4,6A1,6A2,6A3,6A4,6B1,6B2,6B3,6B4	MX3AWT-A1-0000-000BF6	3700 K
			6A1,6A2,6A3,6A4,6B1,6B2,6B3,6B4,6C1,6C2,6C3,6C4,6D1,6D2,6D3,6D4	MX3AWT-A1-0000-000BE6	3500 K
			6C1,6C2,6C3,6C4,6D1,6D2,6D3,6D4,7A1,7A2,7A3,7A4,7B1,7B2,7B3,7B4	MX3AWT-A1-0000-000BF7	3200 K
Q4	100	87	7A1,7A2,7A3,7A4,7B1,7B2,7B3,7B4,7C1,7C2,7C3,7C4,7D1,7D2,7D3,7D4	MX3AWT-A1-0000-000BE7	3000 K
			4C,4D,5A1,5A2,5A3,5A4,5B1,5B2,5B3,5B4	MX3AWT-A1-0000-000CF5	4300 K
			5A1,5A2,5A3,5A4,5B1,5B2,5B3,5B4,5C1,5C2,5C3,5C4,5D1,5D2,5D3,5D4	MX3AWT-A1-0000-000CE5	4000 K

* Cree XLamp MX Family LED order codes specify only a minimum flux bin and not a maximum. Cree may ship reels in flux bins higher than the minimum specified by the order code without advance notice. Shipments will always adhere to the chromaticity or DWL bin restrictions specified by the order code.

** Calculated values for reference purposes only.

STANDARD ORDER CODES AND BINS (MX-6 COOL WHITE)

The following tables list standard kit numbers and performance bins. Kit numbers completely describe an order code's chromaticity regions and luminous flux range. For other flux and chromaticity combinations, contact Cree or an authorized distributor.

XLamp MX-6 LED Standard Order Codes - Cool White					
Minimum Luminous Flux @ 300 mA*		Calculated Minimum Luminous Flux @ 350 mA**	Chromaticity Regions	Order Code	CCT
Group	Flux (lm)	Flux (lm)			
Cool White (4,300 K – 8,300 K)					
Q2	87.4	100	2C,2D,2U,2T,3A,3B,3C,3D,3R,3S,3T,3U,4A,4B,4R,4S	MX6AWT-A1-0000-000ADZ	5000 K
			3A,3B,3C,3D	MX6AWT-A1-0000-000AE3	5000 K
			3C,3D,4A,4B	MX6AWT-A1-0000-000AF4	4750 K
			4A,4B,4C,4D	MX6AWT-A1-0000-000AE4	4500 K
Q3	93.9	107	0A,0B,0C,0D,0R,0S,0T,0U,1A,1B,1C,1D,1R,1S,1T,1U,2A,2B,2C,2D,2R,2S,2T,2U,3A,3B,3R,3S	MX6AWT-A1-0000-000B51	6500 K
			1A,1B,1C,1D,1R,1S,1T,1U,2A,2B,2C,2D,2R,2S,2T,3A,3B,3S	MX6AWT-A1-0000-000B53	6000 K
			1A,1B,1C,1D,2A,2B,2C,2D	MX6AWT-A1-0000-000B50	6000 K
			2C,2D,2U,2T,3A,3B,3C,3D,3R,3S,3T,3U,4A,4B,4R,4S	MX6AWT-A1-0000-000BDZ	5000 K
			3A,3B,3C,3D	MX6AWT-A1-0000-000BE3	5000 K
			3C,3D,4A,4B	MX6AWT-A1-0000-000BF4	4750 K
Q4	100	114	4A,4B,4C,4D	MX6AWT-A1-0000-000BE4	4500 K
			0A,0B,0C,0D,0R,0S,0T,0U,1A,1B,1C,1D,1R,1S,1T,1U,2A,2B,2C,2D,2R,2S,2T,2U,3A,3B,3R,3S	MX6AWT-A1-0000-000C51	6500 K
			1A,1B,1C,1D,1R,1S,1T,1U,2A,2B,2C,2D,2R,2S,2T,3A,3B,3S	MX6AWT-A1-0000-000C53	6000 K
			1A,1B,1C,1D,2A,2B,2C,2D	MX6AWT-A1-0000-000C50	6000 K
			2C,2D,2U,2T,3A,3B,3C,3D,3R,3S,3T,3U,4A,4B,4R,4S	MX6AWT-A1-0000-000CDZ	5000 K
			3A,3B,3C,3D	MX6AWT-A1-0000-000CE3	5000 K
			3C,3D,4A,4B	MX6AWT-A1-0000-000CF4	4750 K
Q5	107	122	4A,4B,4C,4D	MX6AWT-A1-0000-000CE4	4500 K
			0A,0B,0C,0D,0R,0S,0T,0U,1A,1B,1C,1D,1R,1S,1T,1U,2A,2B,2C,2D,2R,2S,2T,2U,3A,3B,3R,3S	MX6AWT-A1-0000-000D51	6500 K
			1A,1B,1C,1D,1R,1S,1T,1U,2A,2B,2C,2D,2R,2S,2T,3A,3B,3S	MX6AWT-A1-0000-000D53	6000 K
			1A,1B,1C,1D,2A,2B,2C,2D	MX6AWT-A1-0000-000D50	6000 K
			2C,2D,2U,2T,3A,3B,3C,3D,3R,3S,3T,3U,4A,4B,4R,4S	MX6AWT-A1-0000-000DDZ	5000 K
			3A,3B,3C,3D	MX6AWT-A1-0000-000DE3	5000 K
			3C,3D,4A,4B	MX6AWT-A1-0000-000DF4	4750 K
R2	114	130	4A,4B,4C,4D	MX6AWT-A1-0000-000DE4	4500 K
			0A,0B,0C,0D,0R,0S,0T,0U,1A,1B,1C,1D,1R,1S,1T,1U,2A,2B,2C,2D,2R,2S,2T,2U,3A,3B,3R,3S	MX6AWT-A1-0000-000E51	6500 K
			1A,1B,1C,1D,1R,1S,1T,1U,2A,2B,2C,2D,2R,2S,2T,3A,3B,3S	MX6AWT-A1-0000-000E53	6000 K
			1A,1B,1C,1D,2A,2B,2C,2D	MX6AWT-A1-0000-000E50	6000 K

* Cree XLamp MX Family LED order codes specify only a minimum flux bin and not a maximum. Cree may ship reels in flux bins higher than the minimum specified by the order code without advance notice. Shipments will always adhere to the chromaticity or DWL bin restrictions specified by the order code.

** Calculated values for reference purposes only.

STANDARD ORDER CODES AND BINS (MX-6 80-CRI MINIMUM COOL WHITE)

The following tables list standard kit numbers and performance bins. Kit numbers completely describe an order code's chromaticity regions and luminous flux range. For other flux and chromaticity combinations, contact Cree or an authorized distributor.

XLamp MX-6 LED Standard Order Codes - 80-CRI Minimum, Cool White					
Minimum Luminous Flux @ 300 mA*		Calculated Minimum Luminous Flux @ 350 mA**	Chromaticity Regions	Order Code	CCT
Group	Flux (lm)	Flux (lm)			
Cool White (4,300 K – 8,300 K)					
Q2	87.4	100	0A,0B,0C,0D,0R,0S,0T,0U,1A,1B,1C,1D,1R,1S,1T,1U,2A,2B,2C,2D,2R,2S,2T,2U,3A,3B,3R,3S	MX6AWT-H1-0000-000A51	6500 K
			1A,1B,1C,1D,1R,1S,1T,1U,2A,2B,2C,2D,2R,2S,2T,3A,3B,3S	MX6AWT-H1-0000-000A53	6000 K
			1A,1B,1C,1D,2A,2B,2C,2D	MX6AWT-H1-0000-000A50	6000 K
			2C,2D,2U,2T,3A,3B,3C,3D,3R,3S,3T,3U,4A,4B,4R,4S	MX6AWT-H1-0000-000ADZ	5000 K
			3A,3B,3C,3D	MX6AWT-H1-0000-000AE3	5000 K
			3C,3D,4A,4B	MX6AWT-H1-0000-000AF4	4750 K
			4A,4B,4C,4D	MX6AWT-H1-0000-000AE4	4500 K
Q3	93.9	107	0A,0B,0C,0D,0R,0S,0T,0U,1A,1B,1C,1D,1R,1S,1T,1U,2A,2B,2C,2D,2R,2S,2T,2U,3A,3B,3R,3S	MX6AWT-H1-0000-000B51	6500 K
			1A,1B,1C,1D,1R,1S,1T,1U,2A,2B,2C,2D,2R,2S,2T,3A,3B,3S	MX6AWT-H1-0000-000B53	6000 K
			1A,1B,1C,1D,2A,2B,2C,2D	MX6AWT-H1-0000-000B50	6000 K
			2C,2D,2U,2T,3A,3B,3C,3D,3R,3S,3T,3U,4A,4B,4R,4S	MX6AWT-H1-0000-000BDZ	5000 K
			3A,3B,3C,3D	MX6AWT-H1-0000-000BE3	5000 K
			3C,3D,4A,4B	MX6AWT-H1-0000-000BF4	4750 K
			4A,4B,4C,4D	MX6AWT-H1-0000-000BE4	4500 K
Q4	100	114	0A,0B,0C,0D,0R,0S,0T,0U,1A,1B,1C,1D,1R,1S,1T,1U,2A,2B,2C,2D,2R,2S,2T,2U,3A,3B,3R,3S	MX6AWT-H1-0000-000C51	6500 K
			1A,1B,1C,1D,1R,1S,1T,1U,2A,2B,2C,2D,2R,2S,2T,3A,3B,3S	MX6AWT-H1-0000-000C53	6000 K
			1A,1B,1C,1D,2A,2B,2C,2D	MX6AWT-H1-0000-000C50	6000 K
			2C,2D,2U,2T,3A,3B,3C,3D,3R,3S,3T,3U,4A,4B,4R,4S	MX6AWT-H1-0000-000CDZ	5000 K
			3A,3B,3C,3D	MX6AWT-H1-0000-000CE3	5000 K
			3C,3D,4A,4B	MX6AWT-H1-0000-000CF4	4750 K
			4A,4B,4C,4D	MX6AWT-H1-0000-000CE4	4500 K
Q5	107	122	0A,0B,0C,0D,0R,0S,0T,0U,1A,1B,1C,1D,1R,1S,1T,1U,2A,2B,2C,2D,2R,2S,2T,2U,3A,3B,3R,3S	MX6AWT-H1-0000-000D51	6500 K
			1A,1B,1C,1D,1R,1S,1T,1U,2A,2B,2C,2D,2R,2S,2T,3A,3B,3S	MX6AWT-H1-0000-000D53	6000 K
			1A,1B,1C,1D,2A,2B,2C,2D	MX6AWT-H1-0000-000D50	6000 K
			2C,2D,2U,2T,3A,3B,3C,3D,3R,3S,3T,3U,4A,4B,4R,4S	MX6AWT-H1-0000-000DDZ	5000 K
			3A,3B,3C,3D	MX6AWT-H1-0000-000DE3	5000 K
			3C,3D,4A,4B	MX6AWT-H1-0000-000DF4	4750 K
			4A,4B,4C,4D	MX6AWT-H1-0000-000DE4	4500 K

* Cree XLamp MX Family LED order codes specify only a minimum flux bin and not a maximum. Cree may ship reels in flux bins higher than the minimum specified by the order code without advance notice. Shipments will always adhere to the chromaticity or DWL bin restrictions specified by the order code.

** Calculated values for reference purposes only.

STANDARD ORDER CODES AND BINS (MX-6 80-CRI MINIMUM, WHITE)

The following tables list standard kit numbers and performance bins. Kit numbers completely describe an order code's chromaticity regions and luminous flux range. For other flux and chromaticity combinations, contact Cree or an authorized distributor.

XLamp MX-6 LED Standard Order Codes - 80-CRI Minimum, White					
Minimum Luminous Flux @ 300 mA*		Calculated Minimum Luminous Flux @ 350 mA**	Chromaticity Regions	Order Code	CCT
Group	Flux (lm)	Flux (lm)			
Warm White (2,600 K – 4,300 K)					
N4	62	71	7C1,7C2,7C3,7C4,7D1,7D2,7D3,7D4,8A1,8A2,8A3,8A4,8B1,8B2,8B3,8B4	MX6AWT-H1-0000-0006F8	2900 K
			8A1,8A2,8A3,8A4,8B1,8B2,8B3,8B4,8C1,8C2,8C3,8C4,8D1,8D2,8D3,8D4	MX6AWT-H1-0000-0006E8	2700 K
			8A3, 8B4, 8C1, 8D2	MX6AWT-H1-0000-0006Z8	2700 K
P2	67.2	77	5C1,5C2,5C3,5C4,5D1,5D2,5D3,5D4,6A1,6A2,6A3,6A4,6B1,6B2,6B3,6B4	MX6AWT-H1-0000-0007F6	3700 K
			6A1,6A2,6A3,6A4,6B1,6B2,6B3,6B4,6C1,6C2,6C3,6C4,6D1,6D2,6D3,6D4	MX6AWT-H1-0000-0007E6	3500 K
			6A3, 6B4, 6C1, 6D2	MX6AWT-H1-0000-0007Z6	3500 K
			6C1,6C2,6C3,6C4,6D1,6D2,6D3,6D4,7A1,7A2,7A3,7A4,7B1,7B2,7B3,7B4	MX6AWT-H1-0000-0007F7	3200 K
			7A1,7A2,7A3,7A4,7B1,7B2,7B3,7B4,7C1,7C2,7C3,7C4,7D1,7D2,7D3,7D4	MX6AWT-H1-0000-0007E7	3000 K
			7A3, 7B4, 7C1, 7D2	MX6AWT-H1-0000-0007Z7	3000 K
			7C1,7C2,7C3,7C4,7D1,7D2,7D3,7D4,8A1,8A2,8A3,8A4,8B1,8B2,8B3,8B4	MX6AWT-H1-0000-0007F8	2900 K
			8A1,8A2,8A3,8A4,8B1,8B2,8B3,8B4,8C1,8C2,8C3,8C4,8D1,8D2,8D3,8D4	MX6AWT-H1-0000-0007E8	2700 K
8A3, 8B4, 8C1, 8D2	MX6AWT-H1-0000-0007Z8	2700 K			
P3	73.9	84	4C,4D,5A1,5A2,5A3,5A4,5B1,5B2,5B3,5B4	MX6AWT-H1-0000-0008F5	4300 K
			5A1,5A2,5A3,5A4,5B1,5B2,5B3,5B4,5C1,5C2,5C3,5C4,5D1,5D2,5D3,5D4	MX6AWT-H1-0000-0008E5	4000 K
			5A3, 5B4, 5C1, 5D2	MX6AWT-H1-0000-0008Z5	4000 K
			5C1,5C2,5C3,5C4,5D1,5D2,5D3,5D4,6A1,6A2,6A3,6A4,6B1,6B2,6B3,6B4	MX6AWT-H1-0000-0008F6	3700 K
			6A1,6A2,6A3,6A4,6B1,6B2,6B3,6B4,6C1,6C2,6C3,6C4,6D1,6D2,6D3,6D4	MX6AWT-H1-0000-0008E6	3500 K
			6A3, 6B4, 6C1, 6D2	MX6AWT-H1-0000-0008Z6	3500 K
			6C1,6C2,6C3,6C4,6D1,6D2,6D3,6D4,7A1,7A2,7A3,7A4,7B1,7B2,7B3,7B4	MX6AWT-H1-0000-0008F7	3200 K
			7A1,7A2,7A3,7A4,7B1,7B2,7B3,7B4,7C1,7C2,7C3,7C4,7D1,7D2,7D3,7D4	MX6AWT-H1-0000-0008E7	3000 K
			7A3, 7B4, 7C1, 7D2	MX6AWT-H1-0000-0008Z7	3000 K
			7C1,7C2,7C3,7C4,7D1,7D2,7D3,7D4,8A1,8A2,8A3,8A4,8B1,8B2,8B3,8B4	MX6AWT-H1-0000-0008F8	2900 K
			8A1,8A2,8A3,8A4,8B1,8B2,8B3,8B4,8C1,8C2,8C3,8C4,8D1,8D2,8D3,8D4	MX6AWT-H1-0000-0008E8	2700 K
			8A3, 8B4, 8C1, 8D2	MX6AWT-H1-0000-0008Z8	2700 K

* Cree XLamp MX Family LED order codes specify only a minimum flux bin and not a maximum. Cree may ship reels in flux bins higher than the minimum specified by the order code without advance notice. Shipments will always adhere to the chromaticity or DWL bin restrictions specified by the order code.

** Calculated values for reference purposes only.

STANDARD ORDER CODES AND BINS (MX-6 80-CRI MINIMUM, WHITE) - CONTINUED

XLamp MX-6 LED Standard Order Codes - 80-CRI Minimum, White					
Minimum Luminous Flux @ 300 mA*		Calculated Minimum Luminous Flux @ 350 mA**	Chromaticity Regions	Order Code	CCT
Group	Flux (lm)	Flux (lm)			
Warm White (2,600 K – 4,300 K)					
P4	80.6	92	4C,4D,5A1,5A2,5A3,5A4,5B1,5B2,5B3,5B4	MX6AWT-H1-0000-0009F5	4300 K
			5A1,5A2,5A3,5A4,5B1,5B2,5B3,5B4,5C1,5C2,5C3,5C4,5D1,5D2,5D3,5D4	MX6AWT-H1-0000-0009E5	4000 K
			5A3, 5B4, 5C1, 5D2	MX6AWT-H1-0000-0009Z5	4000 K
			5C1,5C2,5C3,5C4,5D1,5D2,5D3,5D4,6A1,6A2,6A3,6A4,6B1,6B2,6B3,6B4	MX6AWT-H1-0000-0009F6	3700 K
			6A1,6A2,6A3,6A4,6B1,6B2,6B3,6B4,6C1,6C2,6C3,6C4,6D1,6D2,6D3,6D4	MX6AWT-H1-0000-0009E6	3500 K
			6A3, 6B4, 6C1, 6D2	MX6AWT-H1-0000-0009Z6	3500 K
			6C1,6C2,6C3,6C4,6D1,6D2,6D3,6D4,7A1,7A2,7A3,7A4,7B1,7B2,7B3,7B4	MX6AWT-H1-0000-0009F7	3200 K
			7A1,7A2,7A3,7A4,7B1,7B2,7B3,7B4,7C1,7C2,7C3,7C4,7D1,7D2,7D3,7D4	MX6AWT-H1-0000-0009E7	3000 K
			7A3, 7B4, 7C1, 7D2	MX6AWT-H1-0000-0009Z7	3000 K
			7C1,7C2,7C3,7C4,7D1,7D2,7D3,7D4,8A1,8A2,8A3,8A4,8B1,8B2,8B3,8B4	MX6AWT-H1-0000-0009F8	2900 K
			8A1,8A2,8A3,8A4,8B1,8B2,8B3,8B4,8C1,8C2,8C3,8C4,8D1,8D2,8D3,8D4	MX6AWT-H1-0000-0009E8	2700 K
			8A3, 8B4, 8C1, 8D2	MX6AWT-H1-0000-0009Z8	2700 K
Q2	87.4	100	4C,4D,5A1,5A2,5A3,5A4,5B1,5B2,5B3,5B4	MX6AWT-H1-0000-000AF5	4300 K
			5A1,5A2,5A3,5A4,5B1,5B2,5B3,5B4,5C1,5C2,5C3,5C4,5D1,5D2,5D3,5D4	MX6AWT-H1-0000-000AE5	4000 K
			5A3, 5B4, 5C1, 5D2	MX6AWT-H1-0000-000AZ5	4000 K
			5C1,5C2,5C3,5C4,5D1,5D2,5D3,5D4,6A1,6A2,6A3,6A4,6B1,6B2,6B3,6B4	MX6AWT-H1-0000-000AF6	3700 K
			6A1,6A2,6A3,6A4,6B1,6B2,6B3,6B4,6C1,6C2,6C3,6C4,6D1,6D2,6D3,6D4	MX6AWT-H1-0000-000AE6	3500 K
			6A3, 6B4, 6C1, 6D2	MX6AWT-H1-0000-000AZ6	3500 K
			6C1,6C2,6C3,6C4,6D1,6D2,6D3,6D4,7A1,7A2,7A3,7A4,7B1,7B2,7B3,7B4	MX6AWT-H1-0000-000AF7	3200 K
			7A1,7A2,7A3,7A4,7B1,7B2,7B3,7B4,7C1,7C2,7C3,7C4,7D1,7D2,7D3,7D4	MX6AWT-H1-0000-000AE7	3000 K
			7A3, 7B4, 7C1, 7D2	MX6AWT-H1-0000-000AZ7	3000 K
			7C1,7C2,7C3,7C4,7D1,7D2,7D3,7D4,8A1,8A2,8A3,8A4,8B1,8B2,8B3,8B4	MX6AWT-H1-0000-000AF8	2900 K
			8A1,8A2,8A3,8A4,8B1,8B2,8B3,8B4,8C1,8C2,8C3,8C4,8D1,8D2,8D3,8D4	MX6AWT-H1-0000-000AE8	2700 K
			8A3, 8B4, 8C1, 8D2	MX6AWT-H1-0000-000AZ8	2700 K
Q3	93.9	107	4C,4D,5A1,5A2,5A3,5A4,5B1,5B2,5B3,5B4	MX6AWT-H1-0000-000BF5	4300 K
			5A1,5A2,5A3,5A4,5B1,5B2,5B3,5B4,5C1,5C2,5C3,5C4,5D1,5D2,5D3,5D4	MX6AWT-H1-0000-000BE5	4000 K
			5A3, 5B4, 5C1, 5D2	MX6AWT-H1-0000-000BZ5	4000 K
			5C1,5C2,5C3,5C4,5D1,5D2,5D3,5D4,6A1,6A2,6A3,6A4,6B1,6B2,6B3,6B4	MX6AWT-H1-0000-000BF6	3700 K
			6A1,6A2,6A3,6A4,6B1,6B2,6B3,6B4,6C1,6C2,6C3,6C4,6D1,6D2,6D3,6D4	MX6AWT-H1-0000-000BE6	3500 K
			6A3, 6B4, 6C1, 6D2	MX6AWT-H1-0000-000BZ6	3500 K
			6C1,6C2,6C3,6C4,6D1,6D2,6D3,6D4,7A1,7A2,7A3,7A4,7B1,7B2,7B3,7B4	MX6AWT-H1-0000-000BF7	3200 K
			7A1,7A2,7A3,7A4,7B1,7B2,7B3,7B4,7C1,7C2,7C3,7C4,7D1,7D2,7D3,7D4	MX6AWT-H1-0000-000BE7	3000 K
			7A3, 7B4, 7C1, 7D2	MX6AWT-H1-0000-000BZ7	3000 K
			7C1,7C2,7C3,7C4,7D1,7D2,7D3,7D4,8A1,8A2,8A3,8A4,8B1,8B2,8B3,8B4	MX6AWT-H1-0000-000BF8	2900 K
Q4	100	114	4C,4D,5A1,5A2,5A3,5A4,5B1,5B2,5B3,5B4	MX6AWT-H1-0000-000CF5	4300 K
			5A1,5A2,5A3,5A4,5B1,5B2,5B3,5B4,5C1,5C2,5C3,5C4,5D1,5D2,5D3,5D4	MX6AWT-H1-0000-000CE5	4000 K
			5A3, 5B4, 5C1, 5D2	MX6AWT-H1-0000-000CZ5	4000 K

* Cree XLamp MX Family LED order codes specify only a minimum flux bin and not a maximum. Cree may ship reels in flux bins higher than the minimum specified by the order code without advance notice. Shipments will always adhere to the chromaticity or DWL bin restrictions specified by the order code.

** Calculated values for reference purposes only.

STANDARD ORDER CODES AND BINS (MX-6 OUTDOOR WARM WHITE)

The following tables list standard kit numbers and performance bins. Kit numbers completely describe an order code's chromaticity regions and luminous flux range. For other flux and chromaticity combinations, contact Cree or an authorized distributor.

XLamp MX-6 LED Standard Order Codes - Outdoor Warm White					
Minimum Luminous Flux @ 300 mA*		Calculated Minimum Luminous Flux @ 350 mA**	Chromaticity Regions	Order Code	CCT
Group	Flux (lm)	Flux (lm)			
Warm White (2,600 K – 4,300 K)					
Q3	93.9	107	7A1,7A2,7A3,7A4,7B1,7B2,7B3,7B4,7C1,7C2,7C3,7C4,7D1,7D2,7D3,7D4	MX6AWT-01-0000-000BE7	3000 K
Q4	100	114	7A1,7A2,7A3,7A4,7B1,7B2,7B3,7B4,7C1,7C2,7C3,7C4,7D1,7D2,7D3,7D4	MX6AWT-01-0000-000CE7	3000 K
Q5	107	122	7A1,7A2,7A3,7A4,7B1,7B2,7B3,7B4,7C1,7C2,7C3,7C4,7D1,7D2,7D3,7D4	MX6AWT-01-0000-000DE7	3000 K

* Cree XLamp MX Family LED order codes specify only a minimum flux bin and not a maximum. Cree may ship reels in flux bins higher than the minimum specified by the order code without advance notice. Shipments will always adhere to the chromaticity or DWL bin restrictions specified by the order code.

** Calculated values for reference purposes only.

STANDARD ORDER CODES AND BINS (MX-6 WARM WHITE)

The following tables list standard kit numbers and performance bins. Kit numbers completely describe an order code's chromaticity regions and luminous flux range. For other flux and chromaticity combinations, contact Cree or an authorized distributor.

XLamp MX-6 LED Standard Order Codes - Warm White					
Minimum Luminous Flux @ 300 mA*		Calculated Minimum Luminous Flux @ 350 mA**	Chromaticity Regions	Order Code	CCT
Group	Flux (lm)	Flux (lm)			
Warm White (2,600 K – 4,300 K)					
P2	67.2	77	7C1,7C2,7C3,7C4,7D1,7D2,7D3,7D4,8A1,8A2,8A3,8A4,8B1,8B2,8B3,8B4	MX6AWT-A1-0000-0007F8	2900 K
			8A1,8A2,8A3,8A4,8B1,8B2,8B3,8B4,8C1,8C2,8C3,8C4,8D1,8D2,8D3,8D4	MX6AWT-A1-0000-0007E8	2700 K
			8A3, 8B4, 8C1, 8D2	MX6AWT-A1-0000-0007Z8	2700 K
P3	73.9	84	6C1,6C2,6C3,6C4,6D1,6D2,6D3,6D4,7A1,7A2,7A3,7A4,7B1,7B2,7B3,7B4	MX6AWT-A1-0000-0008F7	3200 K
			7A1,7A2,7A3,7A4,7B1,7B2,7B3,7B4,7C1,7C2,7C3,7C4,7D1,7D2,7D3,7D4	MX6AWT-A1-0000-0008E7	3000 K
			7A3, 7B4, 7C1, 7D2	MX6AWT-A1-0000-0008Z7	3000 K
			7C1,7C2,7C3,7C4,7D1,7D2,7D3,7D4,8A1,8A2,8A3,8A4,8B1,8B2,8B3,8B4	MX6AWT-A1-0000-0008F8	2900 K
			8A1,8A2,8A3,8A4,8B1,8B2,8B3,8B4,8C1,8C2,8C3,8C4,8D1,8D2,8D3,8D4	MX6AWT-A1-0000-0008E8	2700 K
			8A3, 8B4, 8C1, 8D2	MX6AWT-A1-0000-0008Z8	2700 K
P4	80.6	92	4C,4D,5A1,5A2,5A3,5A4,5B1,5B2,5B3,5B4	MX6AWT-A1-0000-0009F5	4300 K
			5A1,5A2,5A3,5A4,5B1,5B2,5B3,5B4,5C1,5C2,5C3,5C4,5D1,5D2,5D3,5D4	MX6AWT-A1-0000-0009E5	4000 K
			5A3, 5B4, 5C1, 5D2	MX6AWT-A1-0000-0009Z5	4000 K
			5C1,5C2,5C3,5C4,5D1,5D2,5D3,5D4,6A1,6A2,6A3,6A4,6B1,6B2,6B3,6B4	MX6AWT-A1-0000-0009F6	3700 K
			6A1,6A2,6A3,6A4,6B1,6B2,6B3,6B4,6C1,6C2,6C3,6C4,6D1,6D2,6D3,6D4	MX6AWT-A1-0000-0009E6	3500 K
			6A3, 6B4, 6C1, 6D2	MX6AWT-A1-0000-0009Z6	3500 K
			6C1,6C2,6C3,6C4,6D1,6D2,6D3,6D4,7A1,7A2,7A3,7A4,7B1,7B2,7B3,7B4	MX6AWT-A1-0000-0009F7	3200 K
			7A1,7A2,7A3,7A4,7B1,7B2,7B3,7B4,7C1,7C2,7C3,7C4,7D1,7D2,7D3,7D4	MX6AWT-A1-0000-0009E7	3000 K
			7A3, 7B4, 7C1, 7D2	MX6AWT-A1-0000-0009Z7	3000 K
			7C1,7C2,7C3,7C4,7D1,7D2,7D3,7D4,8A1,8A2,8A3,8A4,8B1,8B2,8B3,8B4	MX6AWT-A1-0000-0009F8	2900 K
			8A1,8A2,8A3,8A4,8B1,8B2,8B3,8B4,8C1,8C2,8C3,8C4,8D1,8D2,8D3,8D4	MX6AWT-A1-0000-0009E8	2700 K
			8A3, 8B4, 8C1, 8D2	MX6AWT-A1-0000-0009Z8	2700 K
Q2	87.4	100	4C,4D,5A1,5A2,5A3,5A4,5B1,5B2,5B3,5B4	MX6AWT-A1-0000-000AF5	4300 K
			5A1,5A2,5A3,5A4,5B1,5B2,5B3,5B4,5C1,5C2,5C3,5C4,5D1,5D2,5D3,5D4	MX6AWT-A1-0000-000AE5	4000 K
			5A3, 5B4, 5C1, 5D2	MX6AWT-A1-0000-000AZ5	4000 K
			5C1,5C2,5C3,5C4,5D1,5D2,5D3,5D4,6A1,6A2,6A3,6A4,6B1,6B2,6B3,6B4	MX6AWT-A1-0000-000AF6	3700 K
			6A1,6A2,6A3,6A4,6B1,6B2,6B3,6B4,6C1,6C2,6C3,6C4,6D1,6D2,6D3,6D4	MX6AWT-A1-0000-000AE6	3500 K
			6A3, 6B4, 6C1, 6D2	MX6AWT-A1-0000-000AZ6	3500 K
			6C1,6C2,6C3,6C4,6D1,6D2,6D3,6D4,7A1,7A2,7A3,7A4,7B1,7B2,7B3,7B4	MX6AWT-A1-0000-000AF7	3200 K
			7A1,7A2,7A3,7A4,7B1,7B2,7B3,7B4,7C1,7C2,7C3,7C4,7D1,7D2,7D3,7D4	MX6AWT-A1-0000-000AE7	3000 K
			7A3, 7B4, 7C1, 7D2	MX6AWT-A1-0000-000AZ7	3000 K
			7C1,7C2,7C3,7C4,7D1,7D2,7D3,7D4,8A1,8A2,8A3,8A4,8B1,8B2,8B3,8B4	MX6AWT-A1-0000-000AF8	2900 K
			8A1,8A2,8A3,8A4,8B1,8B2,8B3,8B4,8C1,8C2,8C3,8C4,8D1,8D2,8D3,8D4	MX6AWT-A1-0000-000AE8	2700 K
			8A3, 8B4, 8C1, 8D2	MX6AWT-A1-0000-000AZ8	2700 K

* Cree XLamp MX Family LED order codes specify only a minimum flux bin and not a maximum. Cree may ship reels in flux bins higher than the minimum specified by the order code without advance notice. Shipments will always adhere to the chromaticity or DWL bin restrictions specified by the order code.

** Calculated values for reference purposes only.

STANDARD ORDER CODES AND BINS (MX-6 WARM WHITE) - CONTINUED

XLamp MX-6 LED Standard Order Codes - Warm White					
Minimum Luminous Flux @ 300 mA*		Calculated Minimum Luminous Flux @ 350 mA**	Chromaticity Regions	Order Code	CCT
Group	Flux (lm)	Flux (lm)			
Warm White (2,600 K – 4,300 K)					
Q3	93.9	107	4C,4D,5A1,5A2,5A3,5A4,5B1,5B2,5B3,5B4	MX6AWT-A1-0000-000BF5	4300 K
			5A1,5A2,5A3,5A4,5B1,5B2,5B3,5B4,5C1,5C2,5C3,5C4,5D1,5D2,5D3,5D4	MX6AWT-A1-0000-000BE5	4000 K
			5A3, 5B4, 5C1, 5D2	MX6AWT-A1-0000-000BZ5	4000 K
			5C1,5C2,5C3,5C4,5D1,5D2,5D3,5D4,6A1,6A2,6A3,6A4,6B1,6B2,6B3,6B4	MX6AWT-A1-0000-000BF6	3700 K
			6A1,6A2,6A3,6A4,6B1,6B2,6B3,6B4,6C1,6C2,6C3,6C4,6D1,6D2,6D3,6D4	MX6AWT-A1-0000-000BE6	3500 K
			6A3, 6B4, 6C1, 6D2	MX6AWT-A1-0000-000BZ6	3500 K
			6C1,6C2,6C3,6C4,6D1,6D2,6D3,6D4,7A1,7A2,7A3,7A4,7B1,7B2,7B3,7B4	MX6AWT-A1-0000-000BF7	3200 K
			7A1,7A2,7A3,7A4,7B1,7B2,7B3,7B4,7C1,7C2,7C3,7C4,7D1,7D2,7D3,7D4	MX6AWT-A1-0000-000BE7	3000 K
			7A3, 7B4, 7C1, 7D2	MX6AWT-A1-0000-000BZ7	3000 K
Q4	100	114	4C,4D,5A1,5A2,5A3,5A4,5B1,5B2,5B3,5B4	MX6AWT-A1-0000-000CF5	4300 K
			5A1,5A2,5A3,5A4,5B1,5B2,5B3,5B4,5C1,5C2,5C3,5C4,5D1,5D2,5D3,5D4	MX6AWT-A1-0000-000CE5	4000 K
			5A3, 5B4, 5C1, 5D2	MX6AWT-A1-0000-000CZ5	4000 K

STANDARD ORDER CODES AND BINS (MX-6 2200 K, WARM WHITE)

The following tables list standard kit numbers and performance bins. Kit numbers completely describe an order code's chromaticity regions and luminous flux range. For other flux and chromaticity combinations, contact Cree or an authorized distributor.

XLamp MX-6 LED Standard Order Codes - Warm White					
Minimum Luminous Flux @ 300 mA*		Calculated Minimum Luminous Flux @ 350 mA**	Chromaticity Regions	Order Code	CCT
Group	Flux (lm)	Flux (lm)			
Warm White (2,200 K)					
P2	67.2	77	AA1,AA2,AA3,AA4,AB1,AB2,AB3,AB4,AC1,AC2,AC3,AC4,AD1,AD2,AD3,AD4	MX6AWT-A1-0000-0007EA	2200 K
P3	73.9	84	AA1,AA2,AA3,AA4,AB1,AB2,AB3,AB4,AC1,AC2,AC3,AC4,AD1,AD2,AD3,AD4	MX6AWT-A1-0000-0008EA	2200 K
P4	80.6	92	AA1,AA2,AA3,AA4,AB1,AB2,AB3,AB4,AC1,AC2,AC3,AC4,AD1,AD2,AD3,AD4	MX6AWT-A1-0000-0009EA	2200 K

* Cree XLamp MX Family LED order codes specify only a minimum flux bin and not a maximum. Cree may ship reels in flux bins higher than the minimum specified by the order code without advance notice. Shipments will always adhere to the chromaticity or DWL bin restrictions specified by the order code.

** Calculated values for reference purposes only.

STANDARD ORDER CODES AND BINS (MX-3S COOL WHITE)

The following tables list standard kit numbers and performance bins. Kit numbers completely describe an order code's chromaticity regions and luminous flux range. For other flux and chromaticity combinations, contact Cree or an authorized distributor.

XLamp MX-3S LED Standard Order Codes - Cool White				
Minimum Luminous Flux @ 115 mA*		Chromaticity Regions	Order Code	CCT
Group	Flux (lm)			
Cool White (4,300 K – 8,300 K)				
Q2	87.4	2C,2D,2U,2T,3A,3B,3C,3D,3R,3S,3T,3U,4A,4B,4R,4S	MX3SWT-A1-0000-000ADZ	5000 K
		3A,3B,3C,3D	MX3SWT-A1-0000-000AE3	5000 K
		3C,3D,4A,4B	MX3SWT-A1-0000-000AF4	4750 K
		4A,4B,4C,4D	MX3SWT-A1-0000-000AE4	4500 K
Q3	93.9	0A,0B,0C,0D,0R,0S,0T,0U,1A,1B,1C,1D,1R,1S,1T,1U,2A,2B,2C,2D,2R,2S,2T,2U,3A,3B,3R,3S	MX3SWT-A1-0000-000B51	6500 K
		1A,1B,1C,1D,1R,1S,1T,1U,2A,2B,2C,2D,2R,2S,2T,3A,3B,3S	MX3SWT-A1-0000-000B53	6000 K
		1A,1B,1C,1D,2A,2B,2C,2D	MX3SWT-A1-0000-000B50	6000 K
		2C,2D,2U,2T,3A,3B,3C,3D,3R,3S,3T,3U,4A,4B,4R,4S	MX3SWT-A1-0000-000BDZ	5000 K
		3A,3B,3C,3D	MX3SWT-A1-0000-000BE3	5000 K
		3C,3D,4A,4B	MX3SWT-A1-0000-000BF4	4750 K
		4A,4B,4C,4D	MX3SWT-A1-0000-000BE4	4500 K
Q4	100	0A,0B,0C,0D,0R,0S,0T,0U,1A,1B,1C,1D,1R,1S,1T,1U,2A,2B,2C,2D,2R,2S,2T,2U,3A,3B,3R,3S	MX3SWT-A1-0000-000C51	6500 K
		1A,1B,1C,1D,1R,1S,1T,1U,2A,2B,2C,2D,2R,2S,2T,3A,3B,3S	MX3SWT-A1-0000-000C53	6000 K
		1A,1B,1C,1D,2A,2B,2C,2D	MX3SWT-A1-0000-000C50	6000 K
		2C,2D,2U,2T,3A,3B,3C,3D,3R,3S,3T,3U,4A,4B,4R,4S	MX3SWT-A1-0000-000CDZ	5000 K
		3A,3B,3C,3D	MX3SWT-A1-0000-000CE3	5000 K
		3C,3D,4A,4B	MX3SWT-A1-0000-000CF4	4750 K
		4A,4B,4C,4D	MX3SWT-A1-0000-000CE4	4500 K
Q5	107	0A,0B,0C,0D,0R,0S,0T,0U,1A,1B,1C,1D,1R,1S,1T,1U,2A,2B,2C,2D,2R,2S,2T,2U,3A,3B,3R,3S	MX3SWT-A1-0000-000D51	6500 K
		1A,1B,1C,1D,1R,1S,1T,1U,2A,2B,2C,2D,2R,2S,2T,3A,3B,3S	MX3SWT-A1-0000-000D53	6000 K
		1A,1B,1C,1D,2A,2B,2C,2D	MX3SWT-A1-0000-000D50	6000 K
		2C,2D,2U,2T,3A,3B,3C,3D,3R,3S,3T,3U,4A,4B,4R,4S	MX3SWT-A1-0000-000DDZ	5000 K
		3A,3B,3C,3D	MX3SWT-A1-0000-000DE3	5000 K
		3C,3D,4A,4B	MX3SWT-A1-0000-000DF4	4750 K
		4A,4B,4C,4D	MX3SWT-A1-0000-000DE4	4500 K
R2	114	0A,0B,0C,0D,0R,0S,0T,0U,1A,1B,1C,1D,1R,1S,1T,1U,2A,2B,2C,2D,2R,2S,2T,2U,3A,3B,3R,3S	MX3SWT-A1-0000-000E51	6500 K
		1A,1B,1C,1D,1R,1S,1T,1U,2A,2B,2C,2D,2R,2S,2T,3A,3B,3S	MX3SWT-A1-0000-000E53	6000 K
		1A,1B,1C,1D,2A,2B,2C,2D	MX3SWT-A1-0000-000E50	6000 K

* Cree XLamp MX Family LED order codes specify only a minimum flux bin and not a maximum. Cree may ship reels in flux bins higher than the minimum specified by the order code without advance notice. Shipments will always adhere to the chromaticity or DWL bin restrictions specified by the order code.

STANDARD ORDER CODES AND BINS (MX-3S WARM WHITE)

The following tables list standard kit numbers and performance bins. Kit numbers completely describe an order code's chromaticity regions and luminous flux range. For other flux and chromaticity combinations, contact Cree or an authorized distributor.

XLamp MX-3S LED Standard Order Codes - Warm White				
Minimum Luminous Flux @ 115 mA*		Chromaticity Regions	Order Code	CCT
Group	Flux (lm)			
Warm White (2,600 K – 4,300 K)				
P2	67.2	8A1,8A2,8A3,8A4,8B1,8B2,8B3,8B4,8C1,8C2,8C3,8C4,8D1,8D2,8D3,8D4	MX3SWT-A1-0000-0007E8	2700 K
P3	73.9	5C1,5C2,5C3,5C4,5D1,5D2,5D3,5D4,6A1,6A2,6A3,6A4,6B1,6B2,6B3,6B4	MX3SWT-A1-0000-0008F6	3700 K
		6A1,6A2,6A3,6A4,6B1,6B2,6B3,6B4,6C1,6C2,6C3,6C4,6D1,6D2,6D3,6D4	MX3SWT-A1-0000-0008E6	3500 K
		6C1,6C2,6C3,6C4,6D1,6D2,6D3,6D4,7A1,7A2,7A3,7A4,7B1,7B2,7B3,7B4	MX3SWT-A1-0000-0008F7	3200 K
		7A1,7A2,7A3,7A4,7B1,7B2,7B3,7B4,7C1,7C2,7C3,7C4,7D1,7D2,7D3,7D4	MX3SWT-A1-0000-0008E7	3000 K
		7C1,7C2,7C3,7C4,7D1,7D2,7D3,7D4,8A1,8A2,8A3,8A4,8B1,8B2,8B3,8B4	MX3SWT-A1-0000-0008F8	2900 K
		8A1,8A2,8A3,8A4,8B1,8B2,8B3,8B4,8C1,8C2,8C3,8C4,8D1,8D2,8D3,8D4	MX3SWT-A1-0000-0008E8	2700 K
P4	80.6	5C1,5C2,5C3,5C4,5D1,5D2,5D3,5D4,6A1,6A2,6A3,6A4,6B1,6B2,6B3,6B4	MX3SWT-A1-0000-0009F6	3700 K
		6A1,6A2,6A3,6A4,6B1,6B2,6B3,6B4,6C1,6C2,6C3,6C4,6D1,6D2,6D3,6D4	MX3SWT-A1-0000-0009E6	3500 K
		6C1,6C2,6C3,6C4,6D1,6D2,6D3,6D4,7A1,7A2,7A3,7A4,7B1,7B2,7B3,7B4	MX3SWT-A1-0000-0009F7	3200 K
		7A1,7A2,7A3,7A4,7B1,7B2,7B3,7B4,7C1,7C2,7C3,7C4,7D1,7D2,7D3,7D4	MX3SWT-A1-0000-0009E7	3000 K
		7C1,7C2,7C3,7C4,7D1,7D2,7D3,7D4,8A1,8A2,8A3,8A4,8B1,8B2,8B3,8B4	MX3SWT-A1-0000-0009F8	2900 K
		8A1,8A2,8A3,8A4,8B1,8B2,8B3,8B4,8C1,8C2,8C3,8C4,8D1,8D2,8D3,8D4	MX3SWT-A1-0000-0009E8	2700 K
Q2	87.4	4C,4D,5A1,5A2,5A3,5A4,5B1,5B2,5B3,5B4	MX3SWT-A1-0000-000AF5	4200 K
		5A1,5A2,5A3,5A4,5B1,5B2,5B3,5B4,5C1,5C2,5C3,5C4,5D1,5D2,5D3,5D4	MX3SWT-A1-0000-000AE5	4000 K
		5C1,5C2,5C3,5C4,5D1,5D2,5D3,5D4,6A1,6A2,6A3,6A4,6B1,6B2,6B3,6B4	MX3SWT-A1-0000-000AF6	3700 K
		6A1,6A2,6A3,6A4,6B1,6B2,6B3,6B4,6C1,6C2,6C3,6C4,6D1,6D2,6D3,6D4	MX3SWT-A1-0000-000AE6	3500 K
		6C1,6C2,6C3,6C4,6D1,6D2,6D3,6D4,7A1,7A2,7A3,7A4,7B1,7B2,7B3,7B4	MX3SWT-A1-0000-000AF7	3200 K
		7A1,7A2,7A3,7A4,7B1,7B2,7B3,7B4,7C1,7C2,7C3,7C4,7D1,7D2,7D3,7D4	MX3SWT-A1-0000-000AE7	3000 K
		7C1,7C2,7C3,7C4,7D1,7D2,7D3,7D4,8A1,8A2,8A3,8A4,8B1,8B2,8B3,8B4	MX3SWT-A1-0000-000AF8	2900 K
		8A1,8A2,8A3,8A4,8B1,8B2,8B3,8B4,8C1,8C2,8C3,8C4,8D1,8D2,8D3,8D4	MX3SWT-A1-0000-000AE8	2700 K
Q3	93.9	4C,4D,5A1,5A2,5A3,5A4,5B1,5B2,5B3,5B4	MX3SWT-A1-0000-000BF5	4200 K
		5A1,5A2,5A3,5A4,5B1,5B2,5B3,5B4,5C1,5C2,5C3,5C4,5D1,5D2,5D3,5D4	MX3SWT-A1-0000-000BE5	4000 K
		5C1,5C2,5C3,5C4,5D1,5D2,5D3,5D4,6A1,6A2,6A3,6A4,6B1,6B2,6B3,6B4	MX3SWT-A1-0000-000BF6	3700 K
		6A1,6A2,6A3,6A4,6B1,6B2,6B3,6B4,6C1,6C2,6C3,6C4,6D1,6D2,6D3,6D4	MX3SWT-A1-0000-000BE6	3500 K
		6C1,6C2,6C3,6C4,6D1,6D2,6D3,6D4,7A1,7A2,7A3,7A4,7B1,7B2,7B3,7B4	MX3SWT-A1-0000-000BF7	3200 K
		7A1,7A2,7A3,7A4,7B1,7B2,7B3,7B4,7C1,7C2,7C3,7C4,7D1,7D2,7D3,7D4	MX3SWT-A1-0000-000BE7	3000 K
Q4	100	4C,4D,5A1,5A2,5A3,5A4,5B1,5B2,5B3,5B4	MX3SWT-A1-0000-000CF5	4200 K
		5A1,5A2,5A3,5A4,5B1,5B2,5B3,5B4,5C1,5C2,5C3,5C4,5D1,5D2,5D3,5D4	MX3SWT-A1-0000-000CE5	4000 K

* Cree XLamp MX Family LED order codes specify only a minimum flux bin and not a maximum. Cree may ship reels in flux bins higher than the minimum specified by the order code without advance notice. Shipments will always adhere to the chromaticity or DWL bin restrictions specified by the order code.

STANDARD ORDER CODES AND BINS (MX-6S COOL WHITE)

The following tables list standard kit numbers and performance bins. Kit numbers completely describe an order code's chromaticity regions and luminous flux range. For other flux and chromaticity combinations, contact Cree or an authorized distributor.

XLamp MX-6S LED Standard Order Codes - Cool White				
Minimum Luminous Flux @ 60 mA*		Chromaticity Region	Order Code	CCT
Group	Flux (lm)			
Cool White (4,300 K – 8,300 K)				
Q4	100	2C,2D,2U,2T,3A,3B,3C,3D,3R,3S,3T,3U,4A,4B,4R,4S	MX6SWT-A1-0000-000CDZ	5000 K
		3A,3B,3C,3D	MX6SWT-A1-0000-000CE3	5000 K
		3C,3D,4A,4B	MX6SWT-A1-0000-000CF4	4750 K
		4A,4B,4C,4D	MX6SWT-A1-0000-000CE4	4500 K
Q5	107	0A,0B,0C,0D,0R,0S,0T,0U,1A,1B,1C,1D,1R,1S,1T,1U,2A,2B,2C,2D,2R,2S,2T,2U,3A,3B,3R,3S	MX6SWT-A1-0000-000D51	6500 K
		1A,1B,1C,1D,1R,1S,1T,1U,2A,2B,2C,2D,2R,2S,2T,3A,3B,3S	MX6SWT-A1-0000-000D53	6000 K
		1A,1B,1C,1D,2A,2B,2C,2D	MX6SWT-A1-0000-000D50	6000 K
		2C,2D,2U,2T,3A,3B,3C,3D,3R,3S,3T,3U,4A,4B,4R,4S	MX6SWT-A1-0000-000DDZ	5000 K
		3A,3B,3C,3D	MX6SWT-A1-0000-000DE3	5000 K
		3C,3D,4A,4B	MX6SWT-A1-0000-000DF4	4750 K
		4A,4B,4C,4D	MX6SWT-A1-0000-000DE4	4500 K
R2	114	0A,0B,0C,0D,0R,0S,0T,0U,1A,1B,1C,1D,1R,1S,1T,1U,2A,2B,2C,2D,2R,2S,2T,2U,3A,3B,3R,3S	MX6SWT-A1-0000-000E51	6500 K
		1A,1B,1C,1D,1R,1S,1T,1U,2A,2B,2C,2D,2R,2S,2T,3A,3B,3S	MX6SWT-A1-0000-000E53	6000 K
		1A,1B,1C,1D,2A,2B,2C,2D	MX6SWT-A1-0000-000E50	6000 K
		2C,2D,2U,2T,3A,3B,3C,3D,3R,3S,3T,3U,4A,4B,4R,4S	MX6SWT-A1-0000-000EDZ	5000 K
		3A,3B,3C,3D	MX6SWT-A1-0000-000EE3	5000 K
		3C,3D,4A,4B	MX6SWT-A1-0000-000EF4	4750 K
		4A,4B,4C,4D	MX6SWT-A1-0000-000EE4	4500 K
R3	122	0A,0B,0C,0D,0R,0S,0T,0U,1A,1B,1C,1D,1R,1S,1T,1U,2A,2B,2C,2D,2R,2S,2T,2U,3A,3B,3R,3S	MX6SWT-A1-0000-000F51	6500 K
		1A,1B,1C,1D,1R,1S,1T,1U,2A,2B,2C,2D,2R,2S,2T,3A,3B,3S	MX6SWT-A1-0000-000F53	6000 K
		1A,1B,1C,1D,2A,2B,2C,2D	MX6SWT-A1-0000-000F50	6000 K
		2C,2D,2U,2T,3A,3B,3C,3D,3R,3S,3T,3U,4A,4B,4R,4S	MX6SWT-A1-0000-000FDZ	5000 K
		3A,3B,3C,3D	MX6SWT-A1-0000-000FE3	5000 K
		3C,3D,4A,4B	MX6SWT-A1-0000-000FF4	4750 K
		4A,4B,4C,4D	MX6SWT-A1-0000-000FE4	4500 K
R4	130	0A,0B,0C,0D,0R,0S,0T,0U,1A,1B,1C,1D,1R,1S,1T,1U,2A,2B,2C,2D,2R,2S,2T,2U,3A,3B,3R,3S	MX6SWT-A1-0000-000G51	6500 K
		1A,1B,1C,1D,1R,1S,1T,1U,2A,2B,2C,2D,2R,2S,2T,3A,3B,3S	MX6SWT-A1-0000-000G53	6000 K
		1A,1B,1C,1D,2A,2B,2C,2D	MX6SWT-A1-0000-000G50	6000 K

* Cree XLamp MX Family LED order codes specify only a minimum flux bin and not a maximum. Cree may ship reels in flux bins higher than the minimum specified by the order code without advance notice. Shipments will always adhere to the chromaticity or DWL bin restrictions specified by the order code.

STANDARD ORDER CODES AND BINS (MX-6S 80-CRI MINIMUM, COOL WHITE)

The following tables list standard kit numbers and performance bins. Kit numbers completely describe an order code's chromaticity regions and luminous flux range. For other flux and chromaticity combinations, contact Cree or an authorized distributor.

XLamp MX-6S LED Standard Order Codes - 80-CRI Minimum, Cool White				
Minimum Luminous Flux @ 60 mA*		Chromaticity Region	Order Code	CCT
Group	Flux (lm)			
Cool White (4,300 K – 8,300 K)				
Q4	100	0A,0B,0C,0D,0R,0S,0T,0U,1A,1B,1C,1D,1R,1S,1T,1U,2A,2B,2C,2D,2R,2S,2T,2U,3A,3B,3R,3S	MX6SWT-H1-0000-000C51	6500 K
		1A,1B,1C,1D,1R,1S,1T,1U,2A,2B,2C,2D,2R,2S,2T,3A,3B,3S	MX6SWT-H1-0000-000C53	6000 K
		1A,1B,1C,1D,2A,2B,2C,2D	MX6SWT-H1-0000-000C50	6000 K
		2C,2D,2U,2T,3A,3B,3C,3D,3R,3S,3T,3U,4A,4B,4R,4S	MX6SWT-H1-0000-000CDZ	5000 K
		3A,3B,3C,3D	MX6SWT-H1-0000-000CE3	5000 K
		3C,3D,4A,4B	MX6SWT-H1-0000-000CF4	4750 K
		4A,4B,4C,4D	MX6SWT-H1-0000-000CE4	4500 K
Q5	107	0A,0B,0C,0D,0R,0S,0T,0U,1A,1B,1C,1D,1R,1S,1T,1U,2A,2B,2C,2D,2R,2S,2T,2U,3A,3B,3R,3S	MX6SWT-H1-0000-000D51	6500 K
		1A,1B,1C,1D,1R,1S,1T,1U,2A,2B,2C,2D,2R,2S,2T,3A,3B,3S	MX6SWT-H1-0000-000D53	6000 K
		1A,1B,1C,1D,2A,2B,2C,2D	MX6SWT-H1-0000-000D50	6000 K
		2C,2D,2U,2T,3A,3B,3C,3D,3R,3S,3T,3U,4A,4B,4R,4S	MX6SWT-H1-0000-000DDZ	5000 K
		3A,3B,3C,3D	MX6SWT-H1-0000-000DE3	5000 K
		3C,3D,4A,4B	MX6SWT-H1-0000-000DF4	4750 K
		4A,4B,4C,4D	MX6SWT-H1-0000-000DE4	4500 K
R2	114	0A,0B,0C,0D,0R,0S,0T,0U,1A,1B,1C,1D,1R,1S,1T,1U,2A,2B,2C,2D,2R,2S,2T,2U,3A,3B,3R,3S	MX6SWT-H1-0000-000E51	6500 K
		1A,1B,1C,1D,1R,1S,1T,1U,2A,2B,2C,2D,2R,2S,2T,3A,3B,3S	MX6SWT-H1-0000-000E53	6000 K
		1A,1B,1C,1D,2A,2B,2C,2D	MX6SWT-H1-0000-000E50	6000 K
		2C,2D,2U,2T,3A,3B,3C,3D,3R,3S,3T,3U,4A,4B,4R,4S	MX6SWT-H1-0000-000EDZ	5000 K
		3A,3B,3C,3D	MX6SWT-H1-0000-000EE3	5000 K
		3C,3D,4A,4B	MX6SWT-H1-0000-000EF4	4750 K
		4A,4B,4C,4D	MX6SWT-H1-0000-000EE4	4500 K
R3	122	0A,0B,0C,0D,0R,0S,0T,0U,1A,1B,1C,1D,1R,1S,1T,1U,2A,2B,2C,2D,2R,2S,2T,2U,3A,3B,3R,3S	MX6SWT-H1-0000-000F51	6500 K
		1A,1B,1C,1D,1R,1S,1T,1U,2A,2B,2C,2D,2R,2S,2T,3A,3B,3S	MX6SWT-H1-0000-000F53	6000 K
		1A,1B,1C,1D,2A,2B,2C,2D	MX6SWT-H1-0000-000F50	6000 K
		2C,2D,2U,2T,3A,3B,3C,3D,3R,3S,3T,3U,4A,4B,4R,4S	MX6SWT-H1-0000-000FDZ	5000 K
		3A,3B,3C,3D	MX6SWT-H1-0000-000FE3	5000 K
		3C,3D,4A,4B	MX6SWT-H1-0000-000FF4	4750 K
		4A,4B,4C,4D	MX6SWT-H1-0000-000FE4	4500 K

* Cree XLamp MX Family LED order codes specify only a minimum flux bin and not a maximum. Cree may ship reels in flux bins higher than the minimum specified by the order code without advance notice. Shipments will always adhere to the chromaticity or DWL bin restrictions specified by the order code.

STANDARD ORDER CODES AND BINS (MX-6S 80-CRI MINIMUM, WHITE)

The following tables list standard kit numbers and performance bins. Kit numbers completely describe an order code's chromaticity regions and luminous flux range. For other flux and chromaticity combinations, contact Cree or an authorized distributor.

XLamp MX-6S LED Standard Order Codes - 80-CRI Minimum, White				
Minimum Luminous Flux @ 60 mA*		Chromaticity Regions	Order Code	CCT
Group	Flux (lm)			
Warm White (2600 K – 4300 K)				
P3	73.9	7C1,7C2,7C3,7C4,7D1,7D2,7D3,7D4,8A1,8A2,8A3,8A4,8B1,8B2,8B3,8B4	MX6SWT-H1-0000-0008F8	2900 K
		8A1,8A2,8A3,8A4,8B1,8B2,8B3,8B4,8C1,8C2,8C3,8C4,8D1,8D2,8D3,8D4	MX6SWT-H1-0000-0008E8	2700 K
		8A3, 8B4, 8C1, 8D2	MX6SWT-H1-0000-0008Z8	2700 K
P4	80.6	5C1,5C2,5C3,5C4,5D1,5D2,5D3,5D4,6A1,6A2,6A3,6A4,6B1,6B2,6B3,6B4	MX6SWT-H1-0000-0009F6	3700 K
		6A1,6A2,6A3,6A4,6B1,6B2,6B3,6B4,6C1,6C2,6C3,6C4,6D1,6D2,6D3,6D4	MX6SWT-H1-0000-0009E6	3500 K
		6A3, 6B4, 6C1, 6D2	MX6SWT-H1-0000-0009Z6	3500 K
		6C1,6C2,6C3,6C4,6D1,6D2,6D3,6D4,7A1,7A2,7A3,7A4,7B1,7B2,7B3,7B4	MX6SWT-H1-0000-0009F7	3200 K
		7A1,7A2,7A3,7A4,7B1,7B2,7B3,7B4,7C1,7C2,7C3,7C4,7D1,7D2,7D3,7D4	MX6SWT-H1-0000-0009E7	3000 K
		7A3, 7B4, 7C1, 7D2	MX6SWT-H1-0000-0009Z7	3000 K
		7C1,7C2,7C3,7C4,7D1,7D2,7D3,7D4,8A1,8A2,8A3,8A4,8B1,8B2,8B3,8B4	MX6SWT-H1-0000-0009F8	2900 K
		8A1,8A2,8A3,8A4,8B1,8B2,8B3,8B4,8C1,8C2,8C3,8C4,8D1,8D2,8D3,8D4	MX6SWT-H1-0000-0009E8	2700 K
		8A3, 8B4, 8C1, 8D2	MX6SWT-H1-0000-0009Z8	2700 K
Q2	87.4	4C,4D,5A1,5A2,5A3,5A4,5B1,5B2,5B3,5B4	MX6SWT-H1-0000-000AF5	4200 K
		5A1,5A2,5A3,5A4,5B1,5B2,5B3,5B4,5C1,5C2,5C3,5C4,5D1,5D2,5D3,5D4	MX6SWT-H1-0000-000AE5	4000 K
		5A3, 5B4, 5C1, 5D2	MX6AWT-H1-0000-000AZ5	4000 K
		5C1,5C2,5C3,5C4,5D1,5D2,5D3,5D4,6A1,6A2,6A3,6A4,6B1,6B2,6B3,6B4	MX6SWT-H1-0000-000AF6	3700 K
		6A1,6A2,6A3,6A4,6B1,6B2,6B3,6B4,6C1,6C2,6C3,6C4,6D1,6D2,6D3,6D4	MX6SWT-H1-0000-000AE6	3500 K
		6A3, 6B4, 6C1, 6D2	MX6SWT-H1-0000-000AZ6	3500 K
		6C1,6C2,6C3,6C4,6D1,6D2,6D3,6D4,7A1,7A2,7A3,7A4,7B1,7B2,7B3,7B4	MX6SWT-H1-0000-000AF7	3200 K
		7A1,7A2,7A3,7A4,7B1,7B2,7B3,7B4,7C1,7C2,7C3,7C4,7D1,7D2,7D3,7D4	MX6SWT-H1-0000-000AE7	3000 K
		7A3, 7B4, 7C1, 7D2	MX6SWT-H1-0000-000AZ7	3000 K
		7C1,7C2,7C3,7C4,7D1,7D2,7D3,7D4,8A1,8A2,8A3,8A4,8B1,8B2,8B3,8B4	MX6SWT-H1-0000-000AF8	2900 K
		8A1,8A2,8A3,8A4,8B1,8B2,8B3,8B4,8C1,8C2,8C3,8C4,8D1,8D2,8D3,8D4	MX6SWT-H1-0000-000AE8	2700 K
		8A3, 8B4, 8C1, 8D2	MX6SWT-H1-0000-000AZ8	2700 K

* Cree XLamp MX Family LED order codes specify only a minimum flux bin and not a maximum. Cree may ship reels in flux bins higher than the minimum specified by the order code without advance notice. Shipments will always adhere to the chromaticity or DWL bin restrictions specified by the order code.

STANDARD ORDER CODES AND BINS (MX-6S 80-CRI MINIMUM, WHITE) - CONTINUED

XLamp MX-6S LED Standard Order Codes - 80-CRI Minimum, White				
Minimum Luminous Flux @ 60 mA*		Chromaticity Regions	Order Code	CCT
Group	Flux (lm)			
Warm White (2600 K – 4300 K)				
Q3	93.9	4C,4D,5A1,5A2,5A3,5A4,5B1,5B2,5B3,5B4	MX6SWT-H1-0000-000BF5	4200 K
		5A1,5A2,5A3,5A4,5B1,5B2,5B3,5B4,5C1,5C2,5C3,5C4,5D1,5D2,5D3,5D4	MX6SWT-H1-0000-000BE5	4000 K
		5A3, 5B4, 5C1, 5D2	MX6AWT-H1-0000-000BZ5	4000 K
		5C1,5C2,5C3,5C4,5D1,5D2,5D3,5D4,6A1,6A2,6A3,6A4,6B1,6B2,6B3,6B4	MX6SWT-H1-0000-000BF6	3700 K
		6A1,6A2,6A3,6A4,6B1,6B2,6B3,6B4,6C1,6C2,6C3,6C4,6D1,6D2,6D3,6D4	MX6SWT-H1-0000-000BE6	3500 K
		6A3, 6B4, 6C1, 6D2	MX6SWT-H1-0000-000BZ6	3500 K
		6C1,6C2,6C3,6C4,6D1,6D2,6D3,6D4,7A1,7A2,7A3,7A4,7B1,7B2,7B3,7B4	MX6SWT-H1-0000-000BF7	3200 K
		7A1,7A2,7A3,7A4,7B1,7B2,7B3,7B4,7C1,7C2,7C3,7C4,7D1,7D2,7D3,7D4	MX6SWT-H1-0000-000BE7	3000 K
		7A3, 7B4, 7C1, 7D2	MX6SWT-H1-0000-000BZ7	3000 K
		7C1,7C2,7C3,7C4,7D1,7D2,7D3,7D4,8A1,8A2,8A3,8A4,8B1,8B2,8B3,8B4	MX6SWT-H1-0000-000BF8	2900 K
		8A1,8A2,8A3,8A4,8B1,8B2,8B3,8B4,8C1,8C2,8C3,8C4,8D1,8D2,8D3,8D4	MX6SWT-H1-0000-000BE8	2700 K
		8A3, 8B4, 8C1, 8D2	MX6SWT-H1-0000-000BZ8	2700 K
Q4	100	4C,4D,5A1,5A2,5A3,5A4,5B1,5B2,5B3,5B4	MX6SWT-H1-0000-000CF5	4200 K
		5A1,5A2,5A3,5A4,5B1,5B2,5B3,5B4,5C1,5C2,5C3,5C4,5D1,5D2,5D3,5D4	MX6SWT-H1-0000-000CE5	4000 K
		5A3, 5B4, 5C1, 5D2	MX6AWT-H1-0000-000CZ5	4000 K
		5C1,5C2,5C3,5C4,5D1,5D2,5D3,5D4,6A1,6A2,6A3,6A4,6B1,6B2,6B3,6B4	MX6SWT-H1-0000-000CF6	3700 K
		6A1,6A2,6A3,6A4,6B1,6B2,6B3,6B4,6C1,6C2,6C3,6C4,6D1,6D2,6D3,6D4	MX6SWT-H1-0000-000CE6	3500 K
		6A3, 6B4, 6C1, 6D2	MX6SWT-H1-0000-000CZ6	3500 K
		6C1,6C2,6C3,6C4,6D1,6D2,6D3,6D4,7A1,7A2,7A3,7A4,7B1,7B2,7B3,7B4	MX6SWT-H1-0000-000CF7	3200 K
		7A1,7A2,7A3,7A4,7B1,7B2,7B3,7B4,7C1,7C2,7C3,7C4,7D1,7D2,7D3,7D4	MX6SWT-H1-0000-000CE7	3000 K
		7A3, 7B4, 7C1, 7D2	MX6SWT-H1-0000-000CZ7	3000 K
		7C1,7C2,7C3,7C4,7D1,7D2,7D3,7D4,8A1,8A2,8A3,8A4,8B1,8B2,8B3,8B4	MX6AWT-H1-0000-000CF8	2900 K
		8A1,8A2,8A3,8A4,8B1,8B2,8B3,8B4,8C1,8C2,8C3,8C4,8D1,8D2,8D3,8D4	MX6AWT-H1-0000-000CE8	2700 K
		8A3, 8B4, 8C1, 8D2	MX6AWT-H1-0000-000CZ8	2700 K
Q5	107	4C,4D,5A1,5A2,5A3,5A4,5B1,5B2,5B3,5B4	MX6SWT-H1-0000-000DF5	4200 K
		5A1,5A2,5A3,5A4,5B1,5B2,5B3,5B4,5C1,5C2,5C3,5C4,5D1,5D2,5D3,5D4	MX6SWT-H1-0000-000DE5	4000 K
		5A3, 5B4, 5C1, 5D2	MX6AWT-H1-0000-000DZ5	4000 K
		5C1,5C2,5C3,5C4,5D1,5D2,5D3,5D4,6A1,6A2,6A3,6A4,6B1,6B2,6B3,6B4	MX6SWT-H1-0000-000DF6	3700 K
		6A1,6A2,6A3,6A4,6B1,6B2,6B3,6B4,6C1,6C2,6C3,6C4,6D1,6D2,6D3,6D4	MX6SWT-H1-0000-000DE6	3500 K
		6A3, 6B4, 6C1, 6D2	MX6SWT-H1-0000-000DZ6	3500 K
		6C1,6C2,6C3,6C4,6D1,6D2,6D3,6D4,7A1,7A2,7A3,7A4,7B1,7B2,7B3,7B4	MX6SWT-H1-0000-000DF7	3200 K
		7A1,7A2,7A3,7A4,7B1,7B2,7B3,7B4,7C1,7C2,7C3,7C4,7D1,7D2,7D3,7D4	MX6SWT-H1-0000-000DE7	3000 K
		7A3, 7B4, 7C1, 7D2	MX6SWT-H1-0000-000DZ7	3000 K
R2	114	4C,4D,5A1,5A2,5A3,5A4,5B1,5B2,5B3,5B4	MX6SWT-H1-0000-000EF5	4200 K
		5A1,5A2,5A3,5A4,5B1,5B2,5B3,5B4,5C1,5C2,5C3,5C4,5D1,5D2,5D3,5D4	MX6SWT-H1-0000-000EE5	4000 K
		5A3, 5B4, 5C1, 5D2	MX6SWT-H1-0000-000EZ5	4000 K

* Cree XLamp MX Family LED order codes specify only a minimum flux bin and not a maximum. Cree may ship reels in flux bins higher than the minimum specified by the order code without advance notice. Shipments will always adhere to the chromaticity or DWL bin restrictions specified by the order code.

STANDARD ORDER CODES AND BINS (MX-6S WARM WHITE)

The following tables list standard kit numbers and performance bins. Kit numbers completely describe an order code's chromaticity regions and luminous flux range. For other flux and chromaticity combinations, contact Cree or an authorized distributor.

XLamp MX-6S LED Standard Order Codes - Warm White				
Minimum Luminous Flux @ 60 mA*		Chromaticity Regions	Order Code	CCT
Group	Flux (lm)			
Warm White (2600 K – 4300 K)				
P4	80.6	7C1,7C2,7C3,7C4,7D1,7D2,7D3,7D4,8A1,8A2,8A3,8A4,8B1,8B2,8B3,8B4	MX6SWT-A1-0000-0009F8	2900 K
		8A1,8A2,8A3,8A4,8B1,8B2,8B3,8B4,8C1,8C2,8C3,8C4,8D1,8D2,8D3,8D4	MX6SWT-A1-0000-0009E8	2700 K
		8A3, 8B4, 8C1, 8D2	MX6SWT-A1-0000-0009Z8	2700 K
Q2	87.4	6C1,6C2,6C3,6C4,6D1,6D2,6D3,6D4,7A1,7A2,7A3,7A4,7B1,7B2,7B3,7B4	MX6SWT-A1-0000-000AF7	3200 K
		7A1,7A2,7A3,7A4,7B1,7B2,7B3,7B4,7C1,7C2,7C3,7C4,7D1,7D2,7D3,7D4	MX6SWT-A1-0000-000AE7	3000 K
		7A3, 7B4, 7C1, 7D2	MX6SWT-A1-0000-000AZ7	3000 K
		7C1,7C2,7C3,7C4,7D1,7D2,7D3,7D4,8A1,8A2,8A3,8A4,8B1,8B2,8B3,8B4	MX6SWT-A1-0000-000AF8	2900 K
		8A1,8A2,8A3,8A4,8B1,8B2,8B3,8B4,8C1,8C2,8C3,8C4,8D1,8D2,8D3,8D4	MX6SWT-A1-0000-000AE8	2700 K
		8A3, 8B4, 8C1, 8D2	MX6SWT-A1-0000-000AZ8	2700 K
Q3	93.9	4C,4D,5A1,5A2,5A3,5A4,5B1,5B2,5B3,5B4	MX6SWT-A1-0000-000BF5	4200 K
		5A1,5A2,5A3,5A4,5B1,5B2,5B3,5B4,5C1,5C2,5C3,5C4,5D1,5D2,5D3,5D4	MX6SWT-A1-0000-000BE5	4000 K
		5A3, 5B4, 5C1, 5D2	MX6AWT-A1-0000-000BZ5	4000 K
		5C1,5C2,5C3,5C4,5D1,5D2,5D3,5D4,6A1,6A2,6A3,6A4,6B1,6B2,6B3,6B4	MX6SWT-A1-0000-000BF6	3700 K
		6A1,6A2,6A3,6A4,6B1,6B2,6B3,6B4,6C1,6C2,6C3,6C4,6D1,6D2,6D3,6D4	MX6SWT-A1-0000-000BE6	3500 K
		6A3, 6B4, 6C1, 6D2	MX6SWT-A1-0000-000BZ6	3500 K
		6C1,6C2,6C3,6C4,6D1,6D2,6D3,6D4,7A1,7A2,7A3,7A4,7B1,7B2,7B3,7B4	MX6SWT-A1-0000-000BF7	3200 K
		7A1,7A2,7A3,7A4,7B1,7B2,7B3,7B4,7C1,7C2,7C3,7C4,7D1,7D2,7D3,7D4	MX6SWT-A1-0000-000BE7	3000 K
		7A3, 7B4, 7C1, 7D2	MX6SWT-A1-0000-000BZ7	3000 K
		7C1,7C2,7C3,7C4,7D1,7D2,7D3,7D4,8A1,8A2,8A3,8A4,8B1,8B2,8B3,8B4	MX6SWT-A1-0000-000BF8	2900 K
		8A1,8A2,8A3,8A4,8B1,8B2,8B3,8B4,8C1,8C2,8C3,8C4,8D1,8D2,8D3,8D4	MX6SWT-A1-0000-000BE8	2700 K
		8A3, 8B4, 8C1, 8D2	MX6SWT-A1-0000-000BZ8	2700 K
Q4	100	4C,4D,5A1,5A2,5A3,5A4,5B1,5B2,5B3,5B4	MX6SWT-A1-0000-000CF5	4200 K
		5A1,5A2,5A3,5A4,5B1,5B2,5B3,5B4,5C1,5C2,5C3,5C4,5D1,5D2,5D3,5D4	MX6SWT-A1-0000-000CE5	4000 K
		5A3, 5B4, 5C1, 5D2	MX6AWT-A1-0000-000CZ5	4000 K
		5C1,5C2,5C3,5C4,5D1,5D2,5D3,5D4,6A1,6A2,6A3,6A4,6B1,6B2,6B3,6B4	MX6SWT-A1-0000-000CF6	3700 K
		6A1,6A2,6A3,6A4,6B1,6B2,6B3,6B4,6C1,6C2,6C3,6C4,6D1,6D2,6D3,6D4	MX6SWT-A1-0000-000CE6	3500 K
		6A3, 6B4, 6C1, 6D2	MX6SWT-A1-0000-000CZ6	3500 K
		6C1,6C2,6C3,6C4,6D1,6D2,6D3,6D4,7A1,7A2,7A3,7A4,7B1,7B2,7B3,7B4	MX6SWT-A1-0000-000CF7	3200 K
		7A1,7A2,7A3,7A4,7B1,7B2,7B3,7B4,7C1,7C2,7C3,7C4,7D1,7D2,7D3,7D4	MX6SWT-A1-0000-000CE7	3000 K
		7A3, 7B4, 7C1, 7D2	MX6SWT-A1-0000-000CZ7	3000 K
		7C1,7C2,7C3,7C4,7D1,7D2,7D3,7D4,8A1,8A2,8A3,8A4,8B1,8B2,8B3,8B4	MX6SWT-A1-0000-000CF8	2900 K
		8A1,8A2,8A3,8A4,8B1,8B2,8B3,8B4,8C1,8C2,8C3,8C4,8D1,8D2,8D3,8D4	MX6SWT-A1-0000-000CE8	2700 K
		8A3, 8B4, 8C1, 8D2	MX6SWT-A1-0000-000CZ8	2700 K

* Cree XLamp MX Family LED order codes specify only a minimum flux bin and not a maximum. Cree may ship reels in flux bins higher than the minimum specified by the order code without advance notice. Shipments will always adhere to the chromaticity or DWL bin restrictions specified by the order code.

STANDARD ORDER CODES AND BINS (MX-6S WARM WHITE) - CONTINUED

XLamp MX-6S LED Standard Order Codes - Warm White				
Minimum Luminous Flux @ 60 mA*		Chromaticity Regions	Order Code	CCT
Group	Flux (lm)			
Warm White (2600 K – 4300 K)				
Q5	107	4C,4D,5A1,5A2,5A3,5A4,5B1,5B2,5B3,5B4	MX6SWT-A1-0000-000DF5	4200 K
		5A1,5A2,5A3,5A4,5B1,5B2,5B3,5B4,5C1,5C2,5C3,5C4,5D1,5D2,5D3,5D4	MX6SWT-A1-0000-000DE5	4000 K
		5A3, 5B4, 5C1, 5D2	MX6AWT-A1-0000-000DZ5	4000 K
		5C1,5C2,5C3,5C4,5D1,5D2,5D3,5D4,6A1,6A2,6A3,6A4,6B1,6B2,6B3,6B4	MX6SWT-A1-0000-000DF6	3700 K
		6A1,6A2,6A3,6A4,6B1,6B2,6B3,6B4,6C1,6C2,6C3,6C4,6D1,6D2,6D3,6D4	MX6SWT-A1-0000-000DE6	3500 K
		6A3, 6B4, 6C1, 6D2	MX6SWT-A1-0000-000DZ6	3500 K
		6C1,6C2,6C3,6C4,6D1,6D2,6D3,6D4,7A1,7A2,7A3,7A4,7B1,7B2,7B3,7B4	MX6SWT-A1-0000-000DF7	3200 K
		7A1,7A2,7A3,7A4,7B1,7B2,7B3,7B4,7C1,7C2,7C3,7C4,7D1,7D2,7D3,7D4	MX6SWT-A1-0000-000DE7	2900 K
		7A3, 7B4, 7C1, 7D2	MX6SWT-A1-0000-000DZ7	2900 K
R2	114	4C,4D,5A1,5A2,5A3,5A4,5B1,5B2,5B3,5B4	MX6SWT-A1-0000-000EF5	4200 K
		5A1,5A2,5A3,5A4,5B1,5B2,5B3,5B4,5C1,5C2,5C3,5C4,5D1,5D2,5D3,5D4	MX6SWT-A1-0000-000EE5	4000 K
		5A3, 5B4, 5C1, 5D2	MX6SWT-A1-0000-000EZ5	4000 K

* Cree XLamp MX Family LED order codes specify only a minimum flux bin and not a maximum. Cree may ship reels in flux bins higher than the minimum specified by the order code without advance notice. Shipments will always adhere to the chromaticity or DWL bin restrictions specified by the order code.