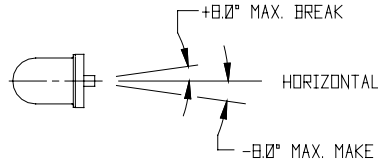
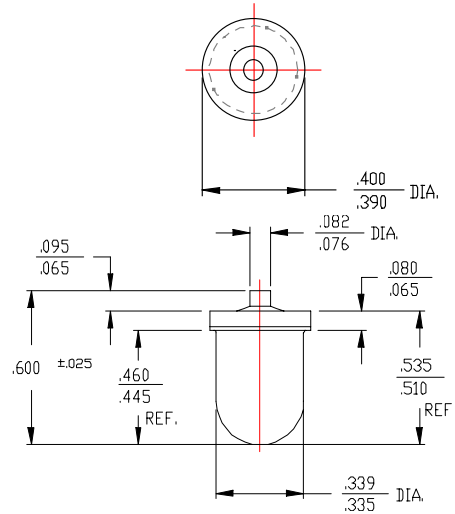


**Part No: A1S-017     A1S Series**  
**Tilt Switch - Mercury**



- Features:**
- \* Un-Insulated
  - \* Form: NO/NC/SPST/Mount dependent
  - \* Angles Referenced from Horizontal
  - \* Single Electrode
  - \* Hermetically Sealed
  - \* Small Package Size
  - \* Narrow Included Angle
  - \* High Current Capability
  - \* Low Contact Resistance
  - \* Long Life



Tilt switches “make” when the electrode is tilted below horizontal and “break” when tilted above the horizontal. Total travel from “make” to “break” is the “Maximum included angle” shown below. The component to which the switch is attached must have a total tilt angle greater than the “Maximum included angle” for proper operation.

Must Make / Break Angle * :	- 8° / + 8°
Maximum included Angle:	8°
	* Make/break angles are electrode + (above) / - (below) 0° horizontal reference
<b>Switch Ratings:</b>	
Max Switching Voltage	24 VDC
Max Switching Current	1A: Tungsten Lamp 1A @13.8 VDC
Initial Contact Resistance (Max). Milliohms	30
Stand Off Voltage (contact to contact)	1500 VAC
Operating Temperature	-38° to 220° F / -38° to 105° C
Storage Temperature	-40° to 356° F / -40° to 180° C
Typical number of operations at specified load	10,000,000
G-Force Activation G-Level/Range	N/A
<b>Dimensions:</b>	
Weight per 100pcs. Lbs / Kgs:	0.68 / 0.31
Body Length (less leads). Inches / Millimeters:	0.52 / 13.2
Maximum Diameter. Inches / Millimeters:	0.40 / 10.2
<b>Materials:</b>	
Lead Wire Type	N/A
Lead wire length/skive/termination	N/A
Finish:	Tin



© American Electronic Components Inc 2006

**American Electronic Components Inc.,**  
 1101 Lafayette Street, Elkhart, Indiana. USA  
 Tel: +1-574-295-6330 Fax: +1-574-293-8013  
 Email: [sales@aecensors.com](mailto:sales@aecensors.com)  
<http://www.aecensors.com>