

## CTPC4018F Series

From 1.0  $\mu\text{H}$  to 100  $\mu\text{H}$



### CHARACTERISTICS

- Description:** SMD Shielded Power Inductor
- Applications:** Mainly used as a power source inductor for mobile phones, HDDs, LCD panels and DSCs.
- Operating Temperature:** -40°C to +105°C (includes self temp. rise)
- IDC1:** Based on inductance change ( $\Delta L/L_0 \leq 30\%$ ) at ambient temp. 25°C
- IDC2:** Based on temperature rise ( $\Delta T: 40^\circ\text{C Typ.}$ )
- Rated Current:** IDC1 or IDC2, whichever value is lower.
- Resistance to Solder Heat:** 260°C 10 secs.
- Inductance Tolerance:**  $\pm 20\%$ ,  $\pm 30\%$
- Testing:** Inductance is tested on an HP4284A at 100KHz, 0.1V
- Packaging:** Tape & Reel
- Marking:** Parts are marked with letter identifier.
- Miscellaneous:** **RoHS Compliant.**
- Additional Information:** Additional electrical & physical information available upon request.
- Samples available. See website for ordering information.**

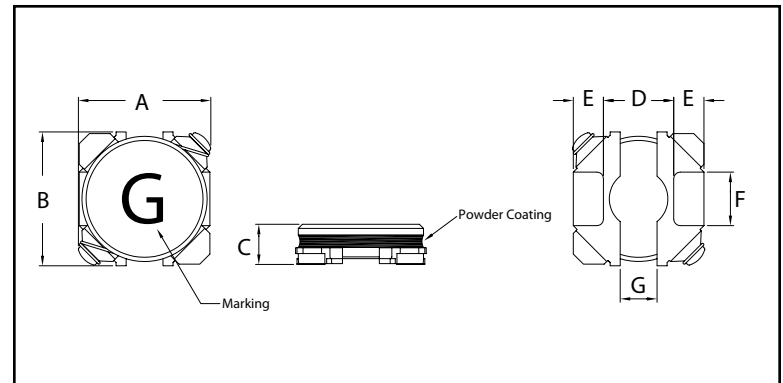
### SPECIFICATIONS

Part numbers indicate available inductance tolerance:  
M =  $\pm 20\%$ , N =  $\pm 30\%$

Part Number	Marking	Inductance ( $\mu\text{H}$ )	L Test Freq. (KHz)	DCR ( $\text{m}\Omega$ ) $\pm 20\%$	IDC1 (A)	IDC2 (A)
CTPC4018F-1R0N	A	1.0	100	50	4.70	1.85
CTPC4018F-1R5N	C	1.5	100	60	3.70	1.70
CTPC4018F-1R8N	D	1.8	100	65	3.40	1.65
CTPC4018F-2R2N	E	2.2	100	74	3.20	1.60
CTPC4018F-3R3N	G	3.3	100	97	2.70	1.45
CTPC4018F-4R7M	I	4.7	100	120	2.20	1.30
CTPC4018F-6R8M	K	6.8	100	170	1.80	1.15
CTPC4018F-100M	M	10	100	240	1.50	1.00
CTPC4018F-220M	Q	22	100	490	1.00	0.63
CTPC4018F-470M	U	47	100	1170	0.75	0.49
CTPC4018F-101M	Y	100	100	2170	0.45	0.28

### PHYSICAL DIMENSIONS

Size	A	B	C Max.	D Typ.	E Typ.	F Typ.	G Typ.
mm	4.0 $\pm$ 0.2	3.9 $\pm$ 0.2	1.8	2.1	0.96	1.6	1.1
inches	0.16 $\pm$ 0.008	0.15 $\pm$ 0.008	0.070	0.082	0.038	0.063	0.043



### PAD LAYOUT

