



**MODEL:** RC-1206S  
**PRODUCT:** Dynamic Receiver  
**EDITION:** A/2016

**THIS SPECIFICATION COVERS OUR PRODUCT OF DYNAMIC RECEIVER UNIT FOR MOBILE TELEPHONE USE**

**RECEIVER ELECTROACOUSTIC CHARACTERISTICS**

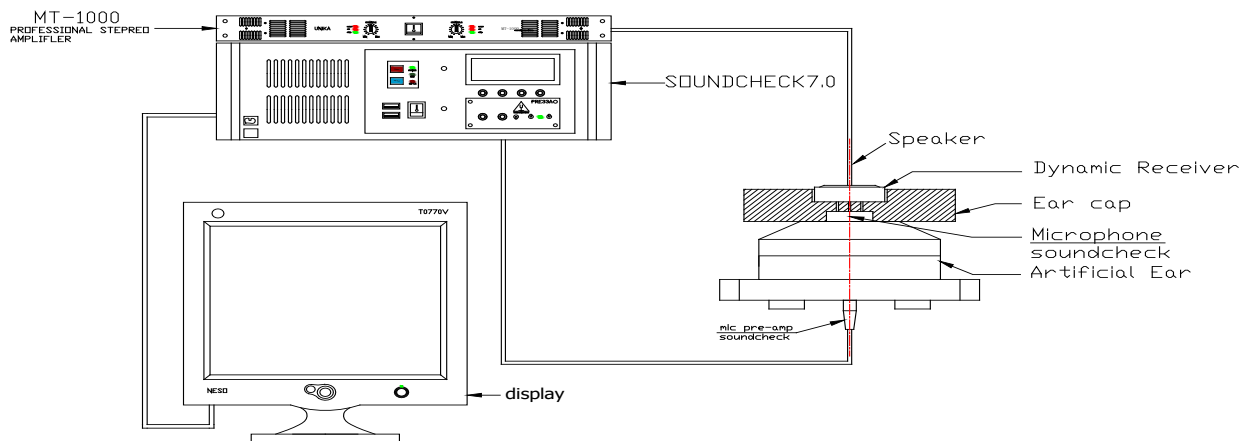
sound pressure level	103±3dB SPL @1KHz (0dB SPL=20µ Pa) Input voltage: 179mV (Sine wave) measured with IEC318 coupler.
resonance frequency (FO)	700±150Hz at 179mVrms Sine Wave
measuring diagram	Shown in Fig.1
earpiece view	Show in Fig.2
typical frequency response curve	Shown in Fig.3.
rated noise power	20mW.
short-term max.power	30mW
distortion	<5% @ 1KHz Input 179mV
operation test	Must be free of audible noise (buzzes and rattles) (300 ~ 3400Hz frequency range , input level up to 0.8Vrms)

**GENERAL SPECIFICATIONS**

operating temperature range	-20°C ~ +60°C
storage temperature range	-20°C ~ +60°C
dc resistance	28±10%Ω
ac impedance	32±20%Ω(@ 1KHz 179mV)
dimension	12 x 6 x 4.8 mm

**TYPICAL FREQUENCY RESPONSE CURVE**

**FREQUENCY MEASURING CIRCUIT (RECEIVER MODE) (Fig.1)**

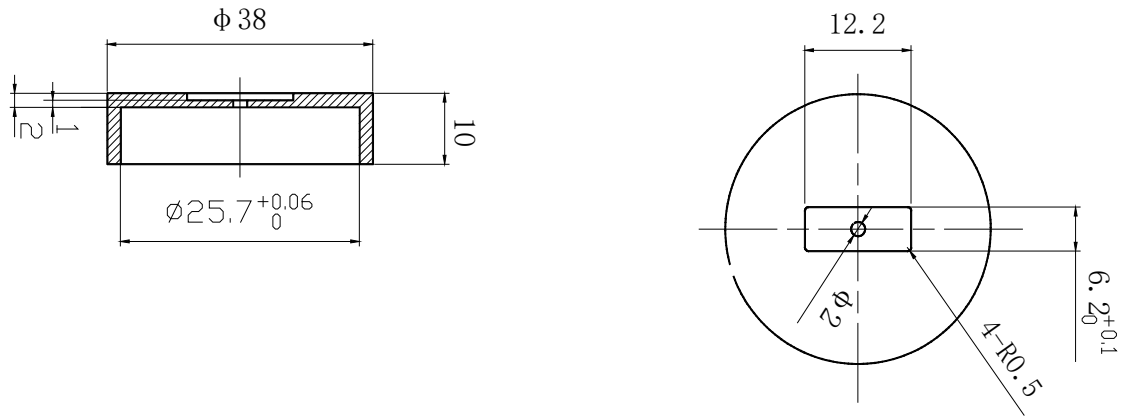




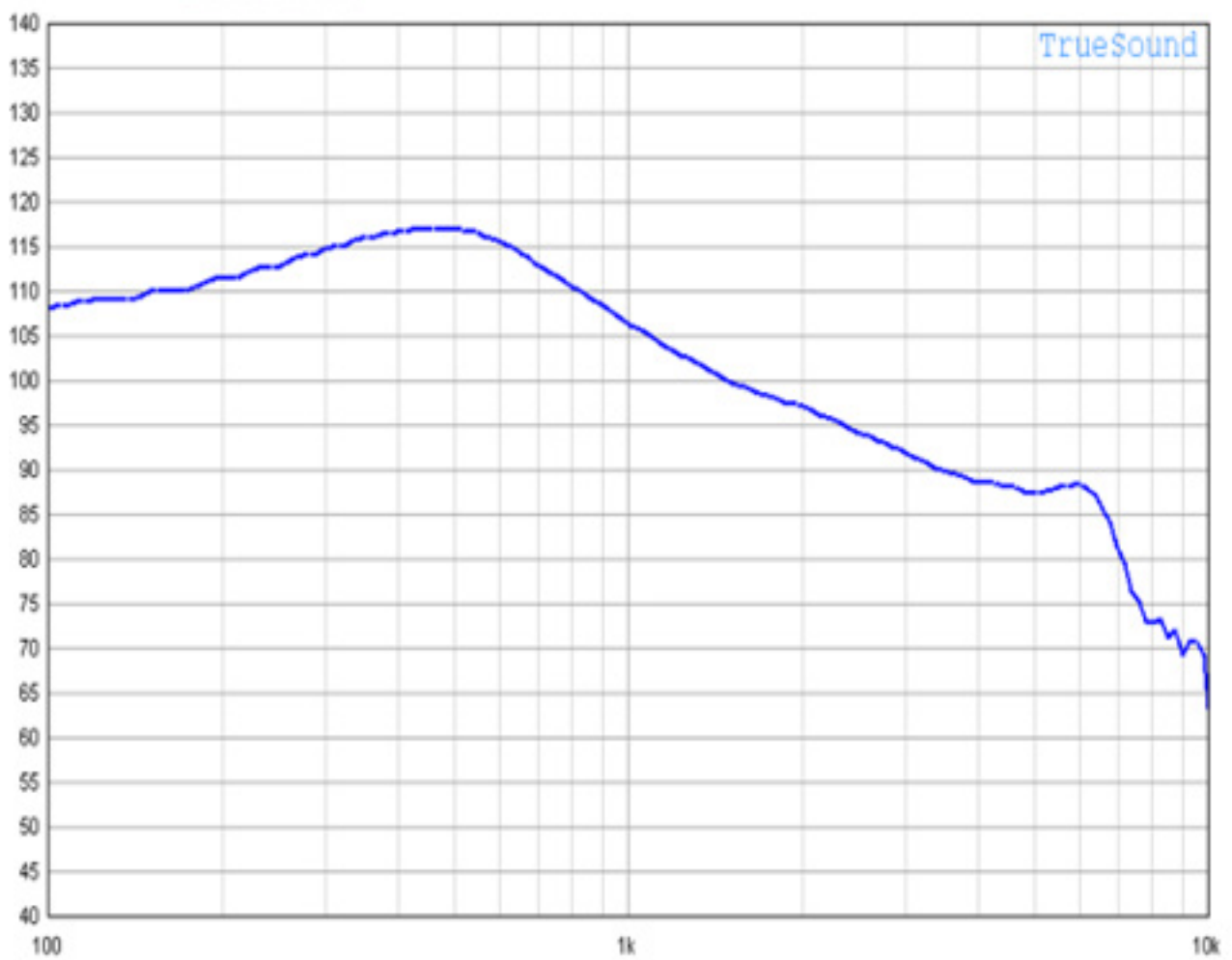
**MODEL:** RC-1206S  
**PRODUCT:** Dynamic Receiver  
**EDITION:** A/2016

**TYPICAL FREQUENCY RESPONSE CURVE** (Continued)

**EARPIECE VIEW** (Fig.2)



**TYPICAL FREQUENCY RESPONSE CURVE (RECEIVER MODE)** (Fig.3)





**MODEL:** RC-1206S  
**PRODUCT:** Dynamic Receiver  
**EDITION:** A/2016

## TEST CLIMATIC CONDITIONS

### STANDARD TEST CONDITIONS

temperature	15~35°C
relative humidity	25%~75%(RH)
air pressure	86~106KPa

## RELIABILITY TESTS

The sound pressure as specified shall neither deviate more than  $\pm 3\text{dB}$  from the initial value, nor any significant damage after any of following testing.

### HIGH TEMPERATURE TEST

high temperature	$+75\pm 2^\circ\text{C}$
duration	96 hours

### LOW TEMPERATURE TEST

low temperature	$-40\pm 2^\circ\text{C}$
duration	96 hours

### HEAT SHOCK TEST (See in Fig. 4)

high temperature	$+75\pm 2^\circ\text{C}$
low temperature	$-40\pm 2^\circ\text{C}$
changeover time	< 30 seconds
duration	1 hour
cycle	10

### HUMIDITY TEST

temperature	$+40\pm 2^\circ\text{C}$
relative humidity	90~95%
duration	48 hours

### TEMPERATURE CYCLE TEST (See in Fig. 5)

temperature	$-40^\circ\text{C}$ $+75^\circ\text{C}$
duration	45 minutes    45 minutes
temperature gradient	1~3°C/min.
cycle	10

### DROP TEST

mounted with dummy set mass	100 g
height	1.5 m
cycle	6 (1 each plain) onto the concrete board

### LOAD TEST

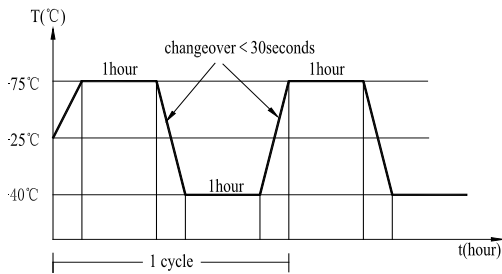
noise signal	White noise (EIA filter)
input power	10mW (0.56Vrms)
duration	96 hours



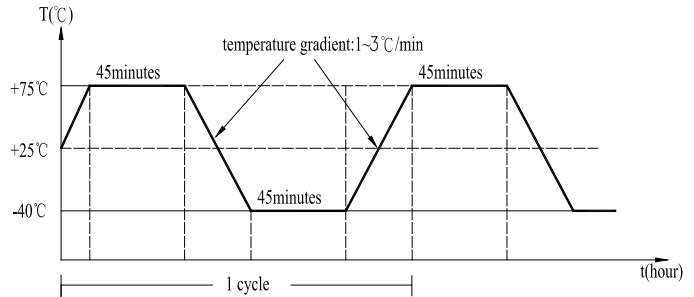
**MODEL:** RC-1206S  
**PRODUCT:** Dynamic Receiver  
**EDITION:** A/2016

**TEST METHOD**

**HEAT SHOCK TEST** (Fig. 4)

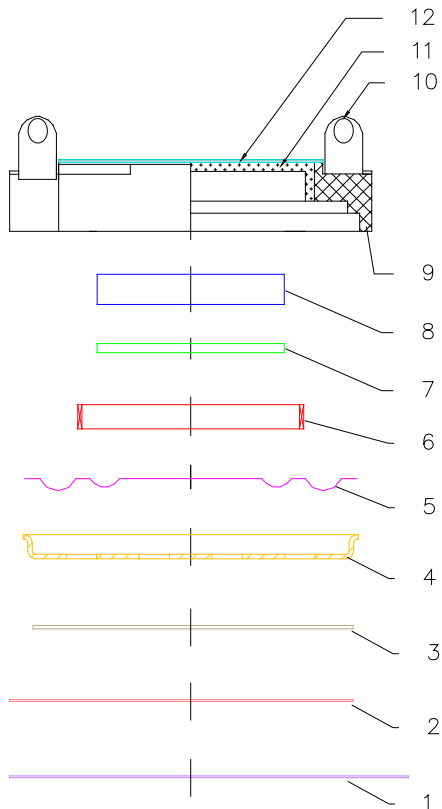
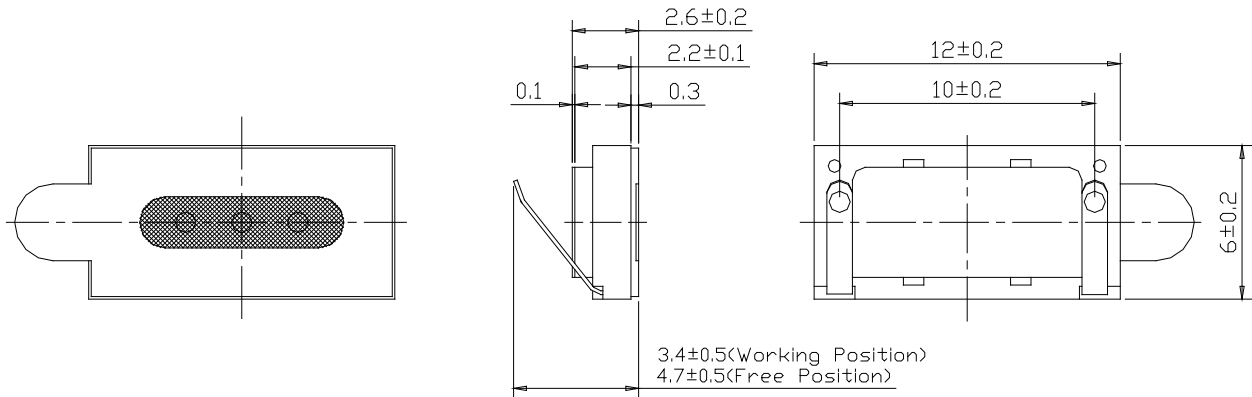


**TEMP. CYCLE TEST** (Fig. 5)

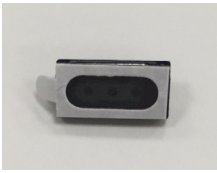


**PRODUCT EXTERNAL VIEW AND DIMENSIONS** (Fig. 6)

Tolerance +/- 0.5 (unit: MM)



no	item	material
1	Silk screen gasket	Adhesive
2	Foam ring	EVA
3	Acoustic paper	White Y2
4	Cover	Stainless steel
5	Membrane	PEI
6	Voice coil	Copper
7	Plate	SPCC
8	Magnet	Nd-Fe-B
9	Frame	PBT
10	Spring	Stainless steel
11	Outer pole shoe	SPCC
12	Glue cushion	Felt paper



**MODEL:** RC-1206S  
**PRODUCT:** Dynamic Receiver  
**EDITION:** A/2016

**PACKING**

