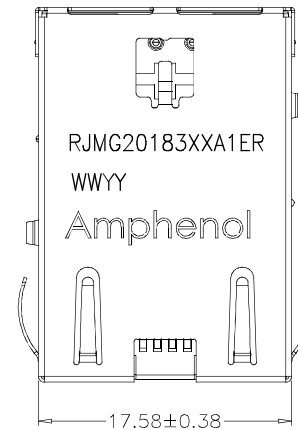
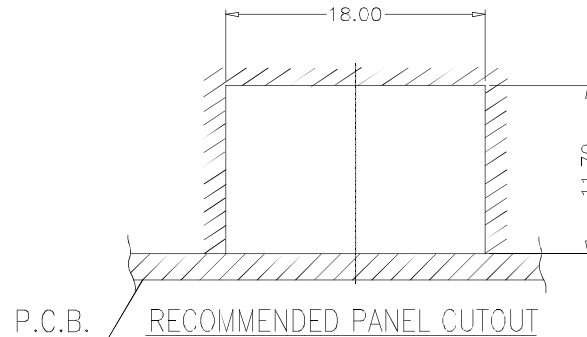
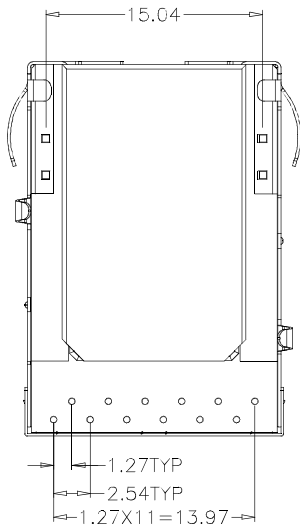
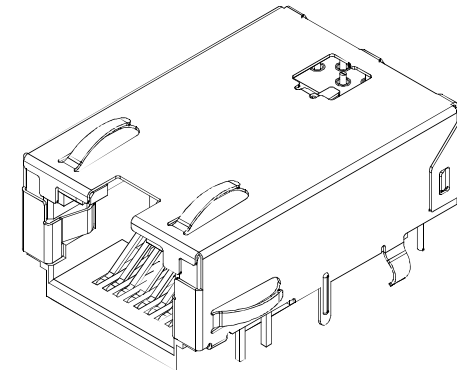
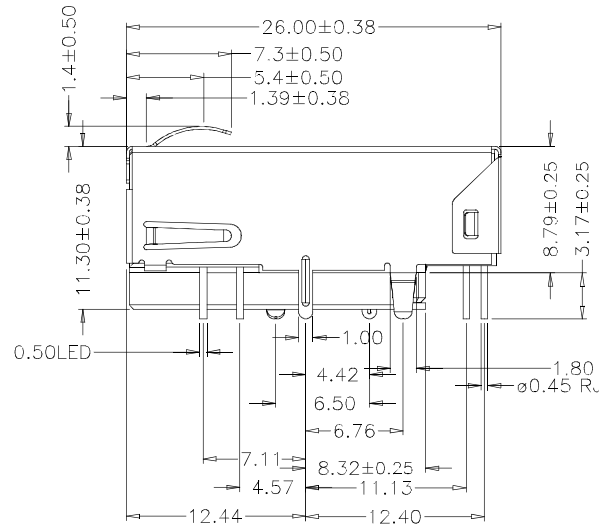
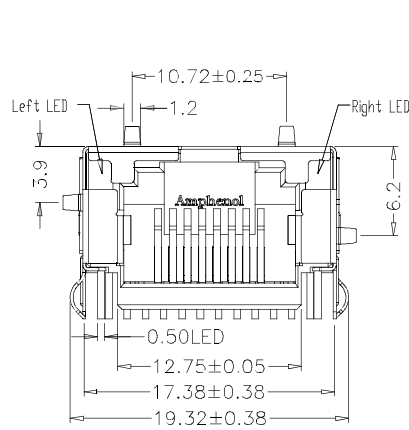


This document is the property of Amphenol Corporation and is delivered on the express condition that is not to be disclosed, reproduced or used, in whole or in part, for manufacture or sale by anyone other than Amphenol Corporation without its prior consent, and that no right is granted to disclose or to use any information in this document.

The marking on this product doesn't contain environmental hazardous materials per Material Specification SS-00259 for Sony GP compliant or per directive 2011/65/EU for RoHS compliant.

CUSTOMER DRAWING

REVISIONS				
SYM	ECN No.	DESCRIPTION	DATE	APPROVED
AX1		NEW PROPOSAL DRAWING	8/17/2012	Tony Lin
AX2		CHANGE THE EMI TAB POSITIONS	9/27/2012	Tony Lin
AX3		UPDATE THE HEIGHT TO 8.79.	10/17/2012	Tony Lin
AX4		ADD LED CLARIFICATION	02/27/2013	Roger Tsai



TOLERANCE	APPROVALS	DATE	TITLE		Amphenol®			
X. ±0.35	DRAWN Devin Yen	02/27/2013	RJ45 1X1 GIGABIT SINK TYPE WITH FILTER AND LED		Amphenol Corporation Amphenol Taiwan Corporation			
X.XX ±0.25	CHECKED Vivian Wen	02/27/2013						
X.XXX ±0.15	APPROVED Roger Tsai	02/27/2013						
ANGULAR ±1°	DWG TYPE CUST DWG	PROJECT CODE GT389	UNIT mm	SIZE A3	PART No. RJMG20183XXA1ER		REV. AX4	
UNLESS OTHERWISE SPECIFIED			SCALE NA	SHEET 1 OF 3	DWG No. RJMG20183XXA1ER			

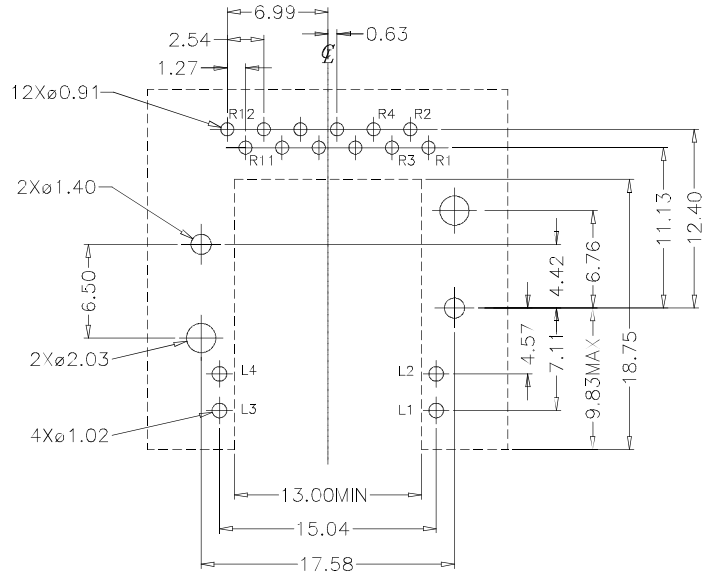
This document is the property of Amphenol Corporation and is delivered on the express condition that it is not to be disclosed, reproduced or used, in whole or in part, for manufacture or sale by anyone other than Amphenol Corporation without its prior consent, and that no right is granted to disclose or to use any information in this document.

The marking on this product doesn't contain environmental hazardous materials per Material Specification SS-00259 for Sony GP compliant or per directive 2011/65/EU for RoHS compliant.

CUSTOMER DRAWING

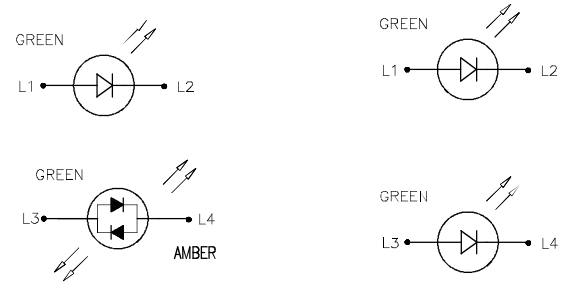
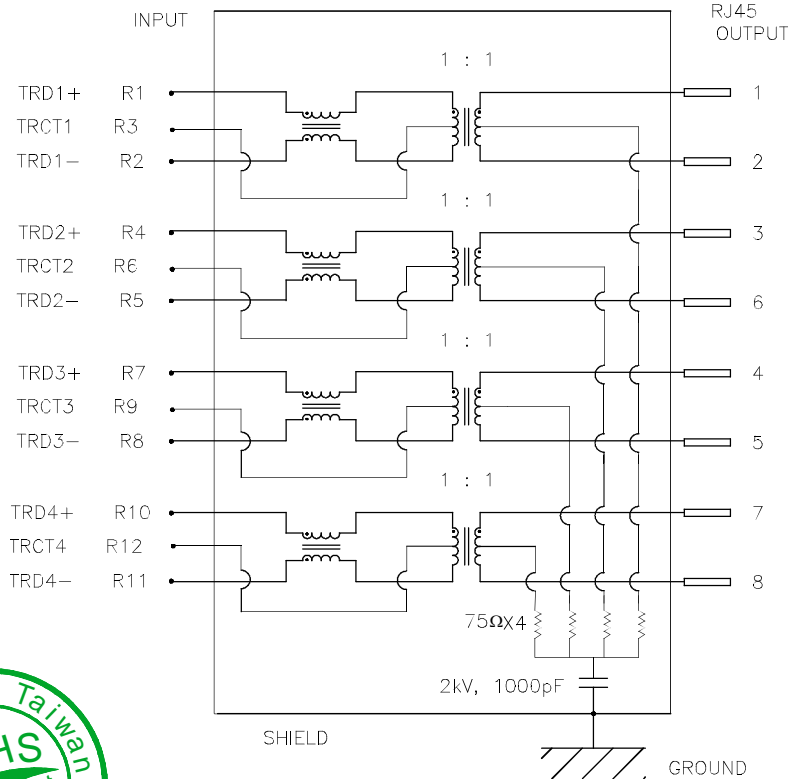
REVISIONS				
SYM	ECN No.	DESCRIPTION	DATE	APPROVED
AX1		NEW PROPOSAL DRAWING	8/17/2012	Tony Lin
AX2		CHANGE THE EMI TAB POSITIONS	9/27/2012	Tony Lin
AX3		UPDATE THE HEIGHT TO 8.79.	10/17/2012	Tony Lin
AX4		ADD LED CLARIFICATION	02/27/2013	Roger Tsai

SCHEMATIC VERSION A, 8K1

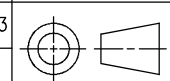


RECOMMENDED PCB LAYOUT
COMPONENT SIDE

ALL DIMENSION TOLERANCE ARE $\pm 0.08\text{mm}$ UNLESS OTHERWISE SPECIFIED



TOLERANCE	APPROVALS	DATE	TITLE		Amphenol® Amphenol Corporation Amphenol Taiwan Corporation			
X. X.X ± 0.35 X.XX ± 0.25 X.XXX ± 0.15 ANGULAR $\pm 1^\circ$ UNLESS OTHERWISE SPECIFIED	DRAWN	Devin Yen	02/27/2013	RJ45 1X1 GIGABIT SINK TYPE WITH FILTER AND LED	UNIT mm	SIZE A3	PART No. RJMG20183XXA1ER	
	CHECKED	Vivian Wen	02/27/2013				DWC No. RJMG20183XXA1ER	REV. AX4
	APPROVED	Roger Tsai	02/27/2013					
	DWG TYPE	CUST DWG	PROJECT CODE GT389		SCALE NA	SHEET 2 OF 3		



UNIT mm
SCALE NA
SIZE A3
SHEET 2 OF 3

PART No. RJMG20183XXA1ER
DWC No. RJMG20183XXA1ER
REV. AX4

This document is the property of Amphenol Corporation and is delivered on the express condition that it is not to be disclosed, reproduced or used, in whole or in part, for manufacture or sale by anyone other than Amphenol Corporation without its prior consent, and that no right is granted to disclose or to use any information in this document.

The marking on this product doesn't contain environmental hazardous materials per Material Specification SS-00259 for Sony GP compliant or per directive 2011/65/EU for RoHS compliant.

CUSTOMER DRAWING

REVISIONS				
SYM	ECN No.	DESCRIPTION	DATE	APPROVED
AX1		NEW PROPOSAL DRAWING	8/17/2012	Tony Lin
AX2		CHANGE THE EMI TAB POSITIONS	9/27/2012	Tony Lin
AX3		UPDATE THE HEIGHT TO 8.79.	10/17/2012	Tony Lin
AX4		ADD LED CLARIFICATION	02/27/2013	Roger Tsai

MATERIALS:

1.Terminal Parts:

1.1.RJ Terminal :Phosphor Bronze,Thickness=0.30mm
Finish:30u" gold on contact area.

1.2.RJ input Terminal :Phosphor Bronze, Diameter 0.45mm
Finish:100u" min. tin over 50~100u" Nickel.
100u" min. matte tin plating on solder tails

1.3.Module Terminal : Phosphor Bronze, Diameter 0.40mm.
Finish:100u" min. tin over 50~100u" Nickel.

2.Plastic Parts:

2.1.Housing : High temp. Thermoplastic , Black
Flame Class:UL94 V-0

2.2.Coil Case : High temp. Thermoset plastic, Black
Flame Class:UL94 V-0

3.Shell Parts:

3.1.Shell : Stainless Steel,Thickness=0.20mm,
Grounding Leg : Pre-soldering.

OTHERS:

1.Operating Temperature : 0°C TO +70°C

2.Storage Temperature : -40°C TO +85°C

3.WAVE SOLDERING TEMPRATURE :265 DEG.C 10 SEC MAX

4.JACK CAVITY CONFORMS TO FCC RULES AND REGULATIONS
PART 68 , SUBPART F

ELECTRICAL SPECIFICATION(@25° C)

LED PERFORMANCE

PARAMETER	SINGLE COLOUR		BICOLOUR		UNITS
	GREEN	GREEN	AMBER		
FORWARD CURRENT IF MAX	20	30			mA
REVERSE CURRENT IR MAX	10	10			uA
REVERSE VOLTAGE VR MAX	-5	-5			V
T OPERATURE	-40~+85	-40~+85			°C
T SOLDERING	260+/-5	260+/-5			°C
POWER DISS. Pd	70	70			mW
PEAK WAVELENTH	565	565	605		nM
FORWARD VOLTAGE TYP	2.2	2.2	2.2		V (@IF=20mA)
FORWARD VOLTAGE MAX	2.5	2.5	2.5		V (@IF=20mA)

CONNECTOR PERFORMANCE

PARAMETER	LIMITS (MAX. OR MIN.)	FREQUENCY RANGE/TEST CONDITIONS
INSERTION LOSS (RX/TX)	-1.0dB MAX.	1-100 MHz
RETURN LOSS (RX/TX)	-18dB MIN. -16dB MIN. -12dB MIN. -10dB MIN.	1-30 MHz 30-60 MHz 60-80 MHz 80-100 MHz
CM-CM REJECTION	-30dB MIN.	1-100 MHz
CROSSTALK ISOLATION (RX/TX)	-30dB MIN.	1-100 MHz
HIPOT (ISOLATION)	1.5kVrms MIN.	60S
QCL	350uH MIN.	100KHz 100mV 8mA
TURN RATIO	1:1±5%	

RJMG20183 X X A1ER

LED1 (RIGHT SIDE)

0- No LED (Blocked Hole)
1- Green
P- Bi color Green/Amber

LED2 (LEFT SIDE)

0- No LED (Blocked Hole)
1- Green
P- Bi color Green/Amber



TOLERANCE	APPROVALS	DATE	TITLE		PART No.		DWC No.		REV.
X. X.X ±0.35 X.XX ±0.25 X.XXX ±0.15	DRAWN Devin Yen	02/27/2013	RJ45 1X1 GIGABIT SINK TYPE WITH FILTER AND LED		RJMG20183XXA1ER		RJMG20183XXA1ER		AX4
ANGULAR ±1°	CHECKED Vivian Wen	02/27/2013			UNIT mm SCALE NA		SIZE A3 SHEET 3 OF 3		
UNLESS OTHERWISE SPECIFIED	APPROVED Roger Tsai	02/27/2013	PROJECT CODE GT389						
	DWG TYPE CUST DWG								