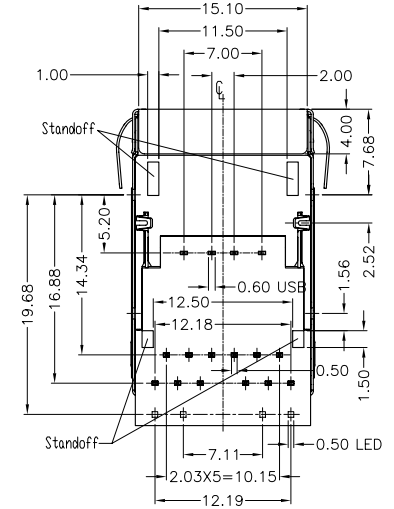
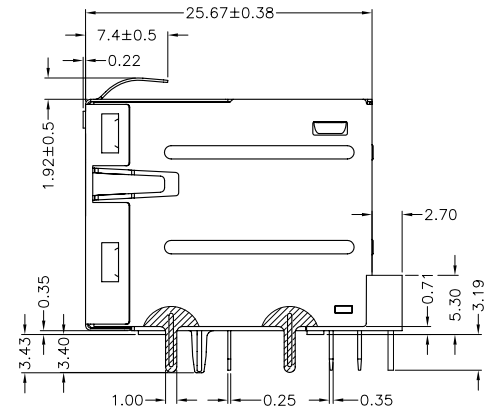
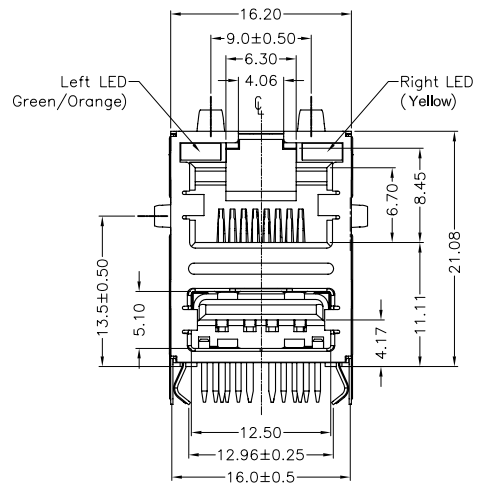
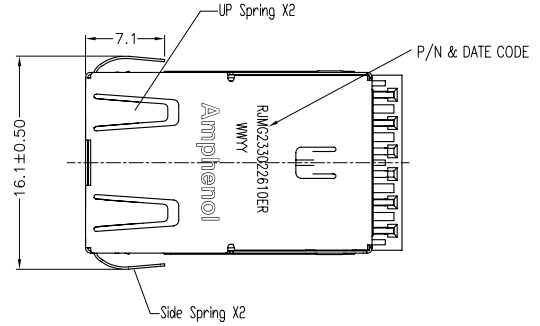
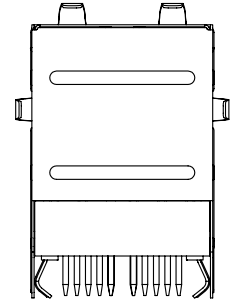


This document is the property of Amphenol Corporation and is delivered on the express condition that it is not to be disclosed, reproduced or used, in whole or in part, for manufacture or sale by anyone other than Amphenol Corporation without its prior consent, and that no right is granted to disclose or to use any information in this document.

CUSTOMER DRAWING ORIGINAL

REVISIONS				
SYM	ECN No.	DESCRIPTION	DATE	APPROVED
A		PRELIMINARY RELEASED	Jun.01.09	Greg L

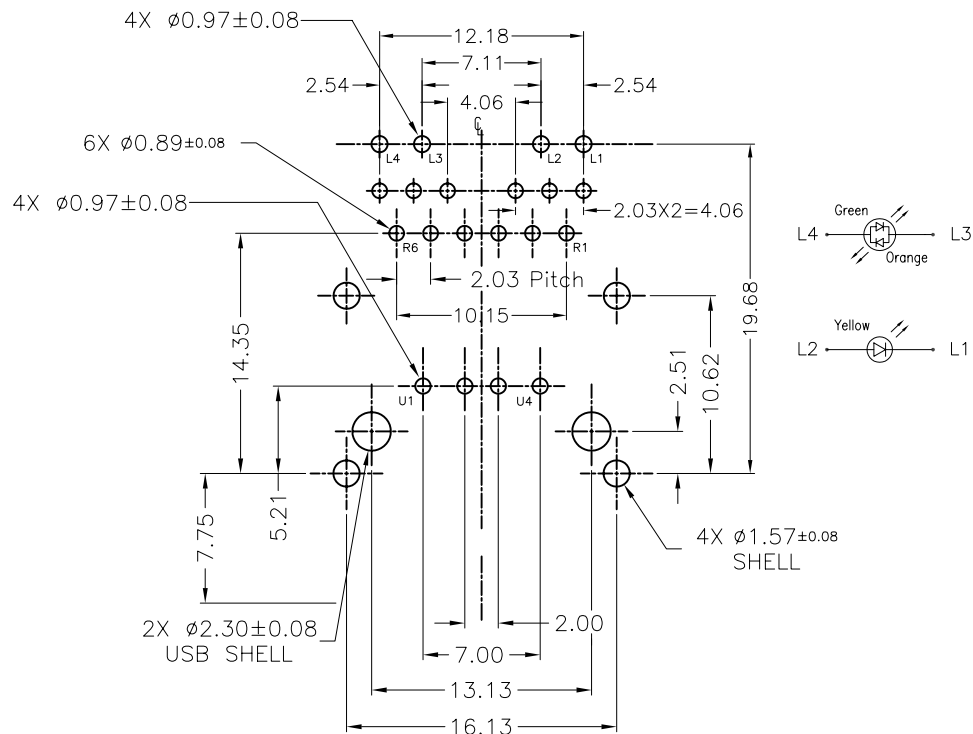


TOLERANCE m/m		APPROVALS		DATE	TITLE		Amphenol® Amphenol East Asia Ltd	
x.	±0.30	DRAWN	Stone Lee	Jun.01.09	RJmag 1000 Base-T		SCALE N.A. SHEET 1 OF 3	
x.x	±0.25	CHECKED	Jason Zhan	Jun.01.09	RJ Over USB		DRAWING NO. RJMG233022610ER	
x.xx	±0.15	APPROVED	Greg L	Jun.01.09	PART NO. RJMG233022610ER		REV. A	
x.xxx	±0.08	UNLESS OTHERWISE SPECIFIED		UNIT	SIZE	DRAWING NO.		
ANGULAR	±2°			MM	A3	RJMG233022610ER		

This document is the property of Amphenol Corporation and is delivered on the express condition that it is not to be disclosed, reproduced or used, in whole or in part, for manufacture or sale by anyone other than Amphenol Corporation without its prior consent, and that no right is granted to disclose or to use any information in this document.

CUSTOMER DRAWING ORIGINAL

REVISIONS				
SYM	ECN No.	DESCRIPTION	DATE	APPROVED
A		PRELIMINARY RELEASED	Jun.01.09	Greg L

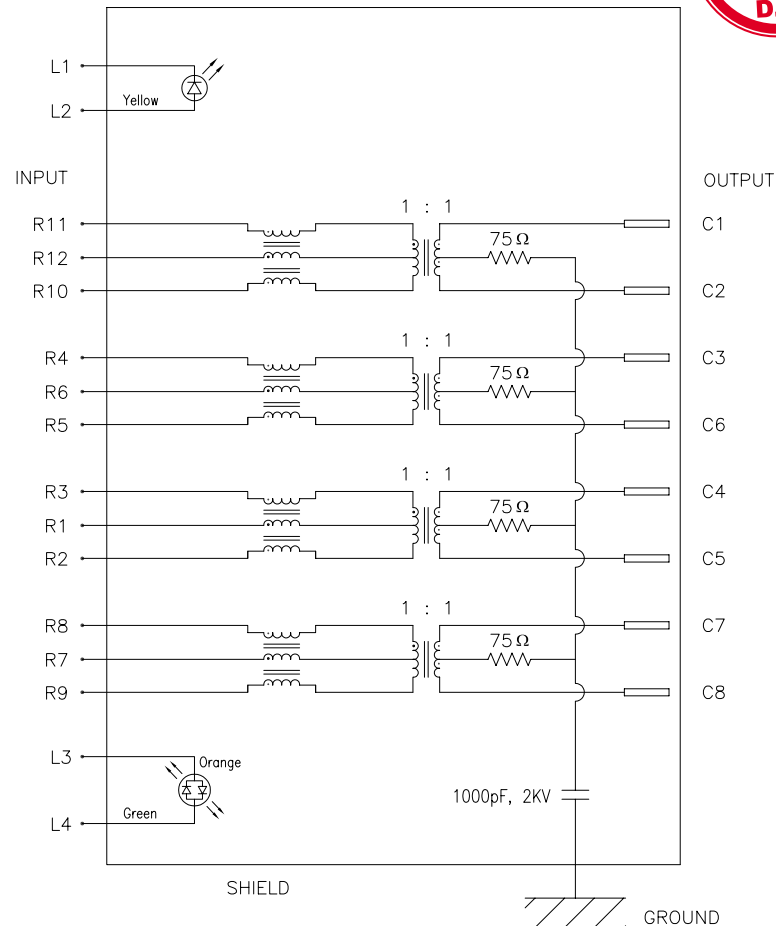


RECOMMENDED PCB LAYOUT
COMPONENT SIDE
PCB THICKNESS : 1.60mm
ALL DIMENSION TOLERANCE ARE ±0.05
UNLESS OTHERWISE SPECIFIED



LED PERFORMANCE

Emitted Color	Yellow	Green/Orange
Wavelength	585nm	568/610nm
Forward Current	30mA Max.	30mA Max.
Reverse Current	100uA Max. @ 5V	100uA Max. @ 5V
Forward Volt. Max.	2.2 VDC	2.2 VDC



TOLERANCE m/m	APPROVALS	DATE	TITLE	Amphenol® Amphenol East Asia Ltd	
x. ±0.30	DRAWN Stone Lee	Jun.01.09	RJmag 1000 Base-T	SCALE N.A.	SHEET 2 OF 3
x.x ±0.25	CHECKED Jason Zhan	Jun.01.09	RJ Over USB	DRAWING NO.	REV. A
x.xx ±0.15	APPROVED Greg L	Jun.01.09			
x.xxx ±0.08					
ANGULAR ±2°					
UNLESS OTHERWISE SPECIFIED	UNIT MM	SIZE A3	PART NO. RJMG233022610ER	DRAWING NO. RJMG233022610ER	REV. A

This document is the property of Amphenol Corporation and is delivered on the express condition that it is not to be disclosed, reproduced or used, in whole or in part, for manufacture or sale by anyone other than Amphenol Corporation without its prior consent, and that no right is granted to disclose or to use any information in this document.

CUSTOMER DRAWING

ORIGINAL

REVISIONS				
SYM	ECN No.	DESCRIPTION	DATE	APPROVED
A		PRELIMINARY RELEASED	Jun.01.09	Greg L

MATERIALS:

1.Terminal Parts:

- 1.1.RJ Terminal :Phosphor Bronze,Thickness=0.30mm
Finish:30u" gold on contact area,100u" min. tin on solder tail area,underplating 50~100u" Nickel over all.
- 1.2.RJ input Terminal :Brass,Thickness=0.35mm
Finish:100u" min. tin over 50~100u" Nickel.
- 1.3.Module Terminal :Brass,Thickness=0.25mm
Finish:100u" min. tin over 50~100u" Nickel.
- 1.4.USB Terminal : Phosphor Bronze , Thickness=0.25mm
Finish:15u" gold on contact area,100u" min. tin on solder tail area,underplating 50~100u" Nickel over all.



ELECTRICAL SPECIFICATION(@25° C) CONNECTOR PERFORMANCE

PARAMETER	LIMITS (MAX. OR MIN.)	FREQUENCY RANGE/ TEST CONDITIONS
INSERTION LOSS (RX/TX)	-1.0dB MAX.	1-100 MHz
RETURN LOSS (RX/TX)	-18dB MIN. -16dB MIN. -12dB MIN. -10dB MIN.	1-30 MHz 30-60 MHz 60-80 MHz 80-100 MHz
CM-CM REJECTION	-30dB MIN.	1-100 MHz
CROSSTALK ISOLATION (RX/TX)	-30dB MIN.	1-100 MHz
HIPOT (ISOLATION)	1.5kVrms MIN.	60 Sec.
OCL	350uH MIN.	100KHz 100mV 8mA
TURN RATIO	1:1±5%	

2.Plastic Parts:

- 2.1.Housing : Thermoplastic , PBT , Black ;UL FILE No. : E130155
Grade:1410, Flame Class:UL94 V-0
- 2.2.Coil Case : Thermoplastic,PBT,UL FILE No. : E130155
Grade:1410, Flame Class:UL94 V-0
- 2.3.Spacer : Thermoplastic,PBT,UL FILE No. : E130155
Grade:1410, Flame Class:UL94 V-0

3.Shell Parts:

- 3.1.Shell : Stainless,Thickness=0.20mm,
Grounding Leg : Pre-soldering.
- 3.2.Grounding Leg of USB : Brass , Thickness=0.25mm
Finish : 100m? min. Tin over 50~100m? min. Nickel

OTHERS:

- 1.Operating Temperature : 0°C TO +70°C
- 2.Storage Temperature : -40°C TO +85°C
- 3.JACK CAVITY CONFORMS TO FCC RULES AND REGULATIONS
PART 68 , SUBPART F

TOLERANCE m/m		APPROVALS	DATE	TITLE		Amphenol® Amphenol East Asia Ltd	
x.	±0.30	DRAWN Stone Lee	Jun.01.09	RJmag 1000 Base-T RJ Over USB		SCALE N.A. SHEET 3 OF 3	
x.x	±0.25	CHECKED Jason Zhan	Jun.01.09				
x.xx	±0.15	APPROVED Greg L	Jun.01.09				
x.xxx	±0.08			SIZE	PART NO.	DRAWING NO.	REV.
ANGULAR	±2°	UNLESS OTHERWISE SPECIFIED		MM	A3	RJMG233022610ER	A