

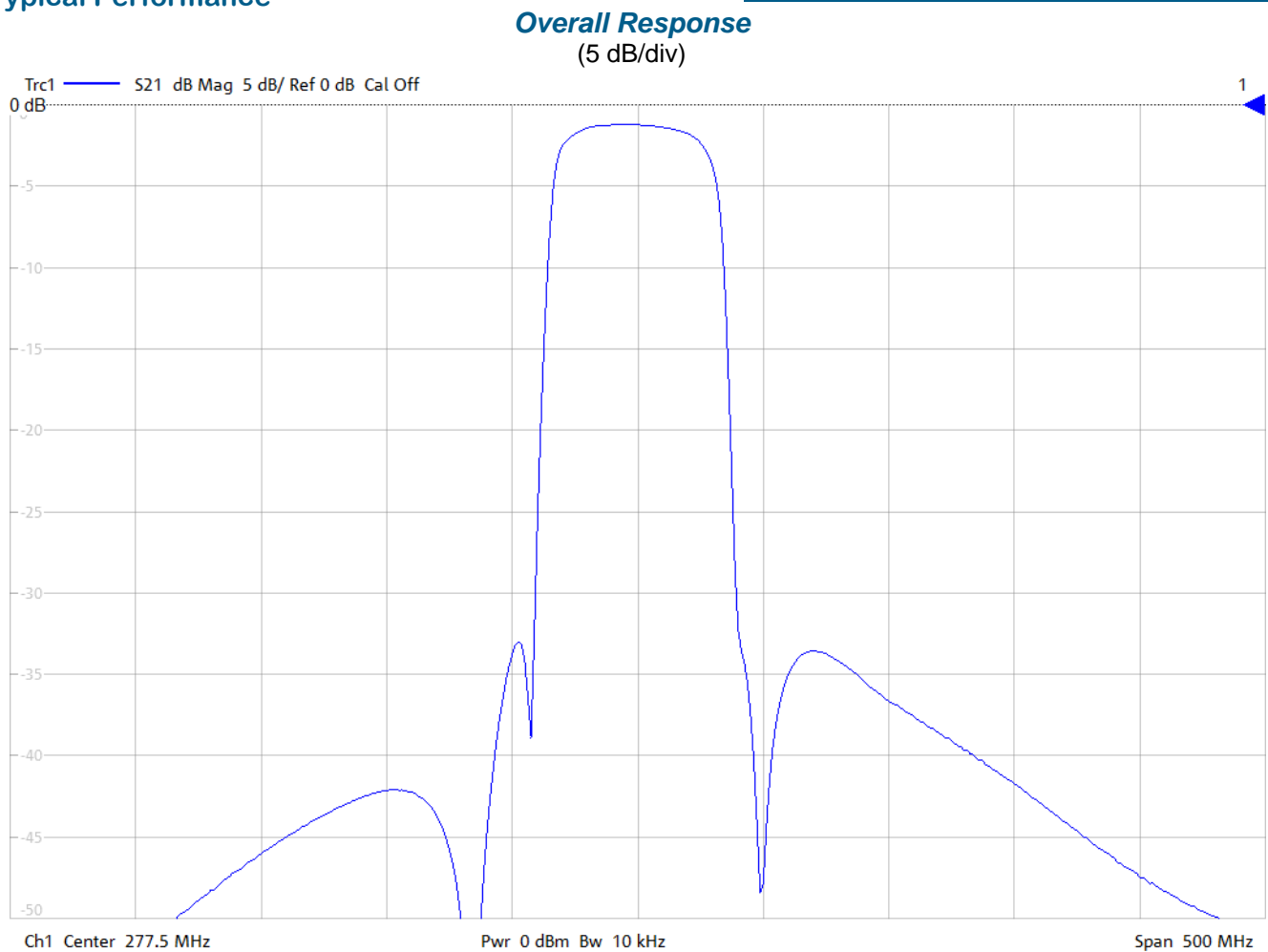
## General Description

KR Electronics part number 3310-277.5+ is a 277.5 MHz Bandpass filter. The filter has a minimum 1 dB bandwidth of 45 MHz. Other center frequencies and bandwidths are available. Please consult the factory.

## Features

- 277.5 MHz Bandpass Filter
- 1 dB BW 45 MHz min, 53 MHz Typ
- 25 dB BW 85 MHz max, 78 MHz Typ
- Selective Elliptic Response
- 50  $\Omega$  Source and Load
- Other frequencies available
- Surface Mount
- Also available with SMA Connectors

## Typical Performance

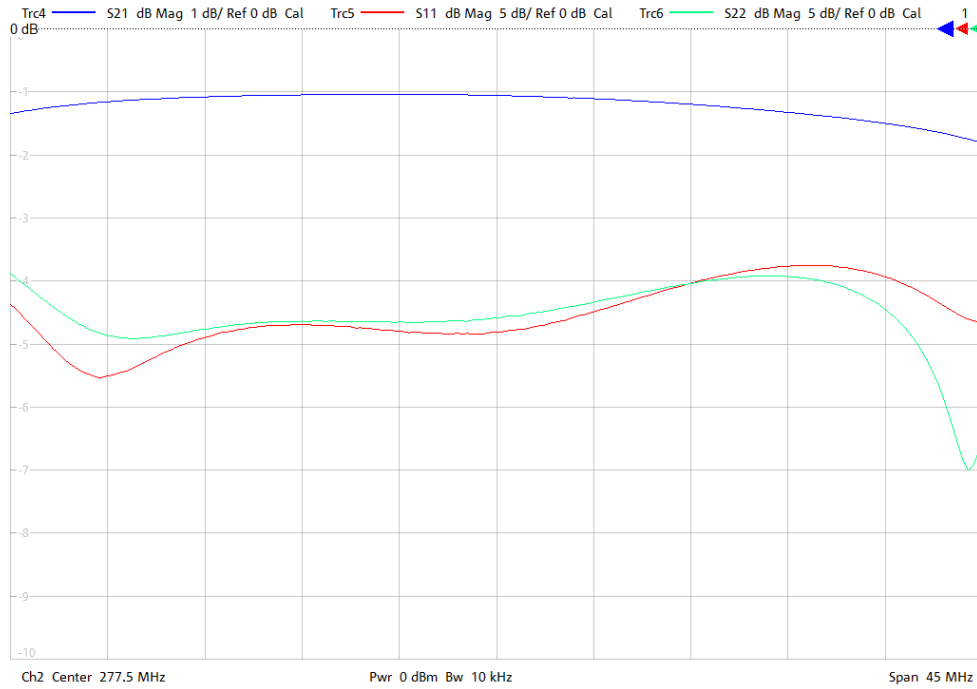


KR Electronics, Inc.  
91 Avenel Street  
Avenel, NJ 07001

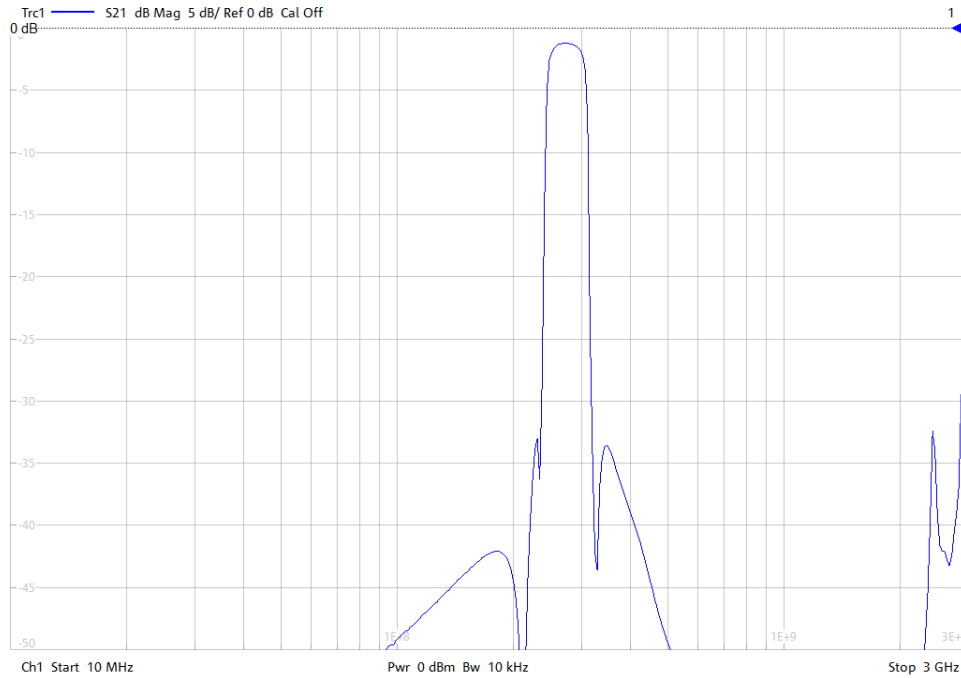
Web [www.krfilters.com](http://www.krfilters.com)  
Email [sales@krfilters.com](mailto:sales@krfilters.com)  
Phone (732) 636-1900  
Fax (732) 636-1982

# KR Electronics 3310-277.5+

## Passband Amplitude & Return Loss (1 dB/div & 5 dB/div)



## Overall Response (10 dB/div)



KR Electronics, Inc.  
91 Avenel Street  
Avenel, NJ 07001

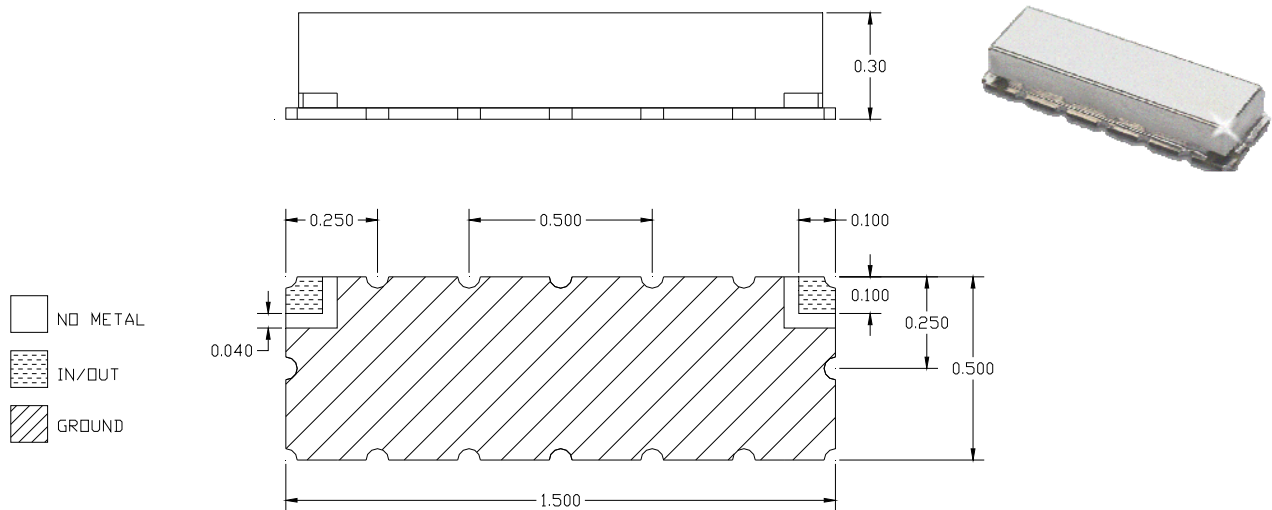
Web            www.krfilters.com  
Email        sales@krfilters.com  
Phone        (732) 636-1900  
Fax            (732) 636-1982

# KR Electronics 3310-277.5+

## Specifications

Parameter	Specification	Notes
Filter type	Bandpass	
Center Frequency	277.5 MHz	
Insertion Loss at Fc	2 dBa max	1 dBa typical
1 dBc Bandwidth	45 MHz min	57 MHz typical
3 dBc Bandwidth	68 MHz typical	
25 dBc Bandwidth	85 MHz max	81 MHz typical
30 dBc Bandwidth	83 MHz typical	
Source and Load	50 $\Omega$	

## Physical Dimensions



### Notes:

1. Surface mount package
2. Dimensions in inches
3. Max reflow temperature 230° C for 10 sec
4. If boards are cleaned after installation units must be completely dried