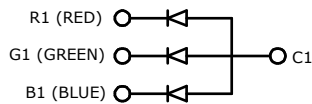
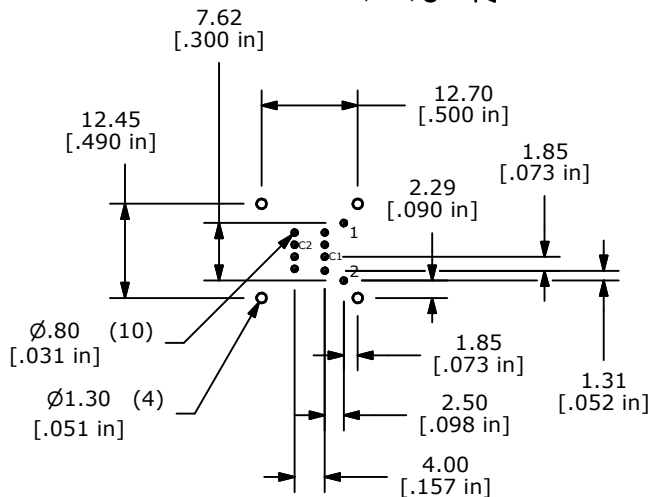
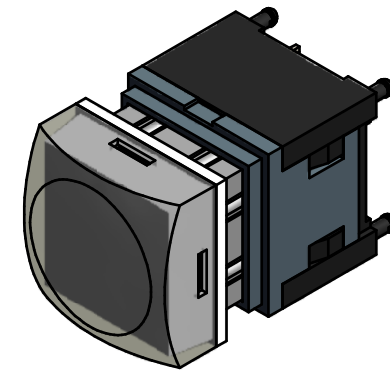
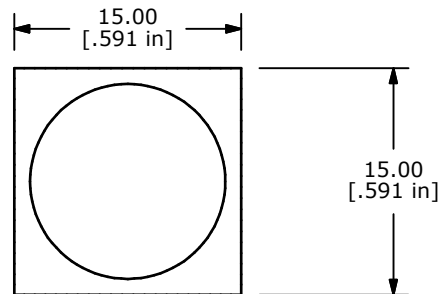
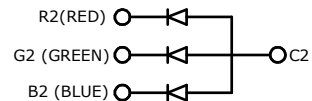




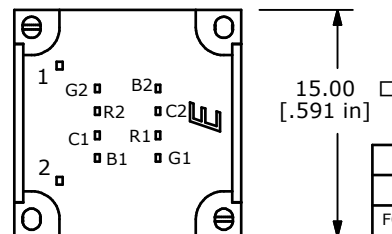
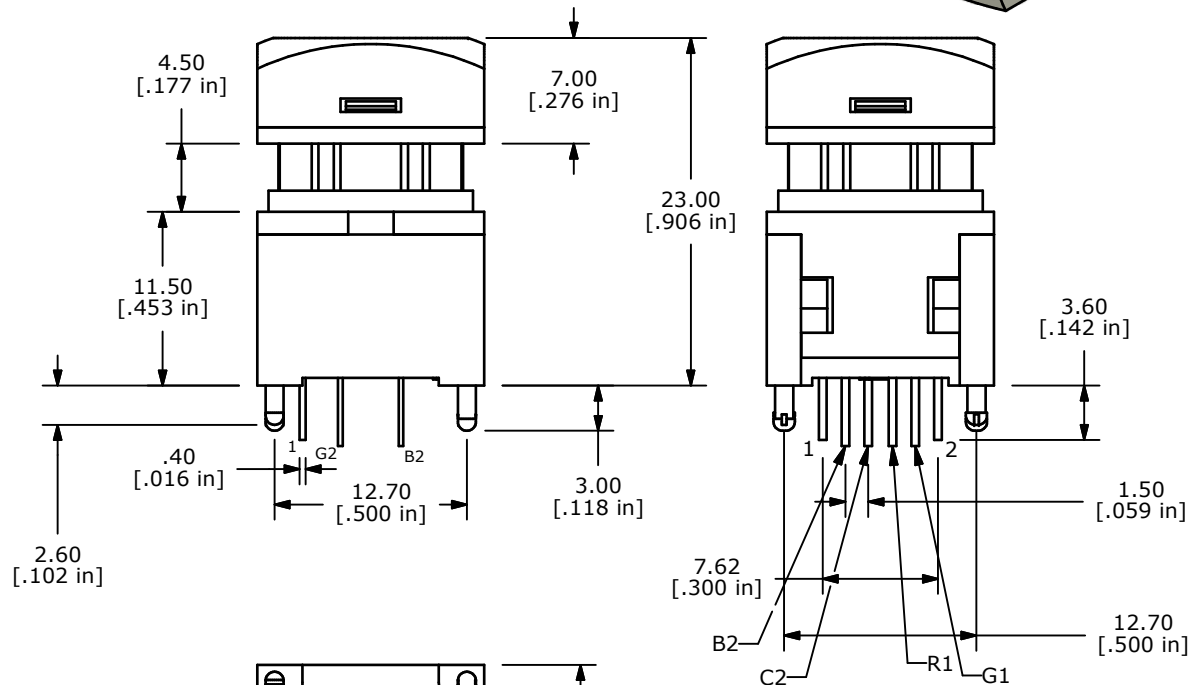
CIRCUIT: SPST
MOMENTARY



LED SCHEMATIC



PCB LAYOUT



- NOTES:
1. ALL DIMENSIONS IN MM [INCH]
 2. GENERAL TOLERANCE: X.X=±0.4
X.XX=±0.25
 3. TERM. NOS. FOR REFERENCE ONLY.
 4. RATING: 100mA @ 12VDC
 5. CONTACT MATERIAL: GOLD PLATED (D)
 6. CONTACT RESISTANCE: 200 Milli-OHM MAX.
 7. INSULATION RESISTANCE: 500VDC, 100 MEGA-OHM MIN.
 8. OPERATING FORCE: 250 ± 100GF
 9. MECHANICAL LIFE: 1,000,000 CYCLES
 10. OPERATING TEMP: -20°C TO +70°C
 - ▲ 11. LED COLORS: RED - GREEN - BLUE
 12. TRAVEL: 4.50mm±0.20
 13. 2002/95/EC (ROHS) COMPLIANT
 14. ▲ DENOTES CRITICAL PARAMETER.

LED SPECS	UNITS	RED	GREEN	BLUE
FORWARD CURRENT	mA	20	20	20
FORWARD VOLTAGE @20mA (typ-max)	V	1.95-2.5	3.3-4.1	3.3-4.0
LUMINOUS INTENSITY @ 20mA (typ)	MCD	250	900	130

REV	PCR NO	DESCRIPTION	DATE	BY
D	21454	CHANGE CONTACT MATERIAL TO GOLD	5/13/14	EBP
C	19305	Add LED chart; update Hsg & Cover design	9/16/10	rc
B	19090	REVISED PINOUT DESIGNATIONS	5/21/10	rc
A	19032	Release for Production	5/6/10	BLR

TITLE LP110A1NBSRGB

SCALE 2	DATE 5/6/2010	DR BLR	DWG B230013	REV D
---------	---------------	--------	-------------	-------