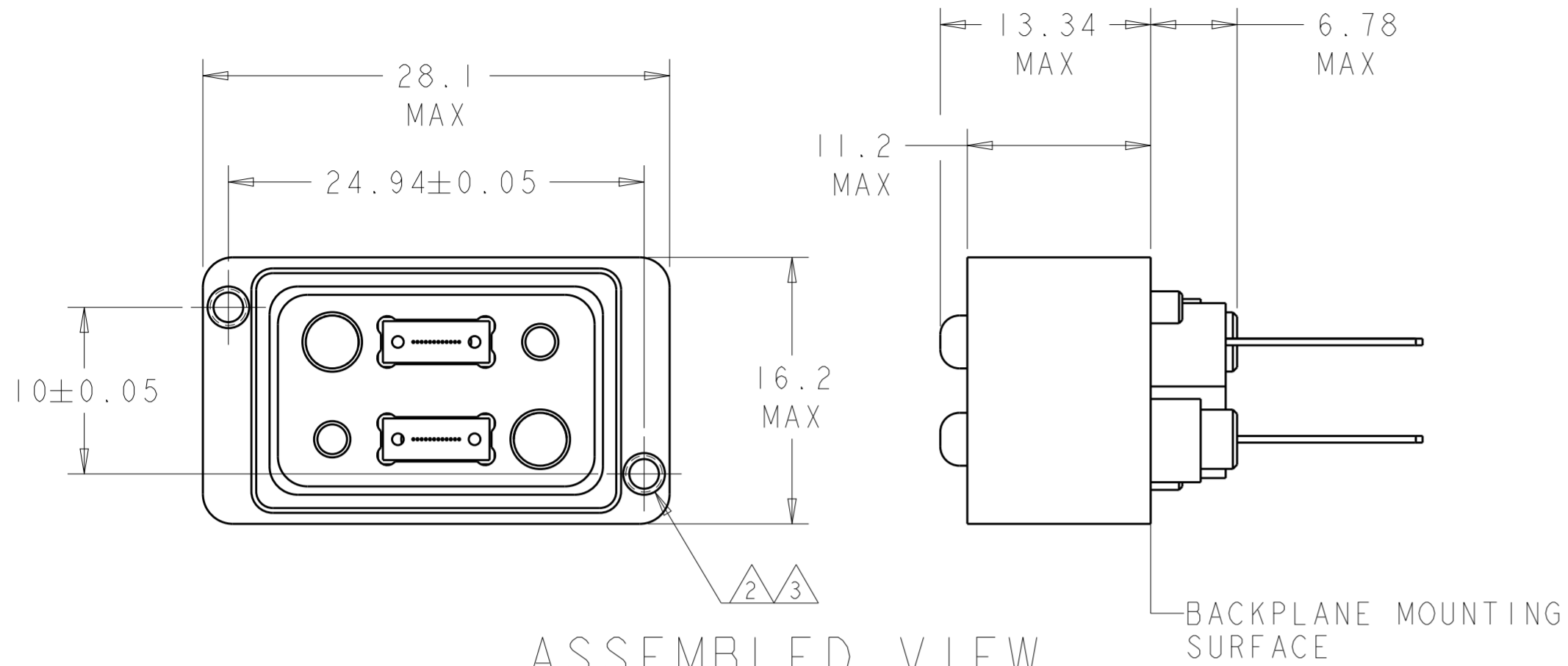


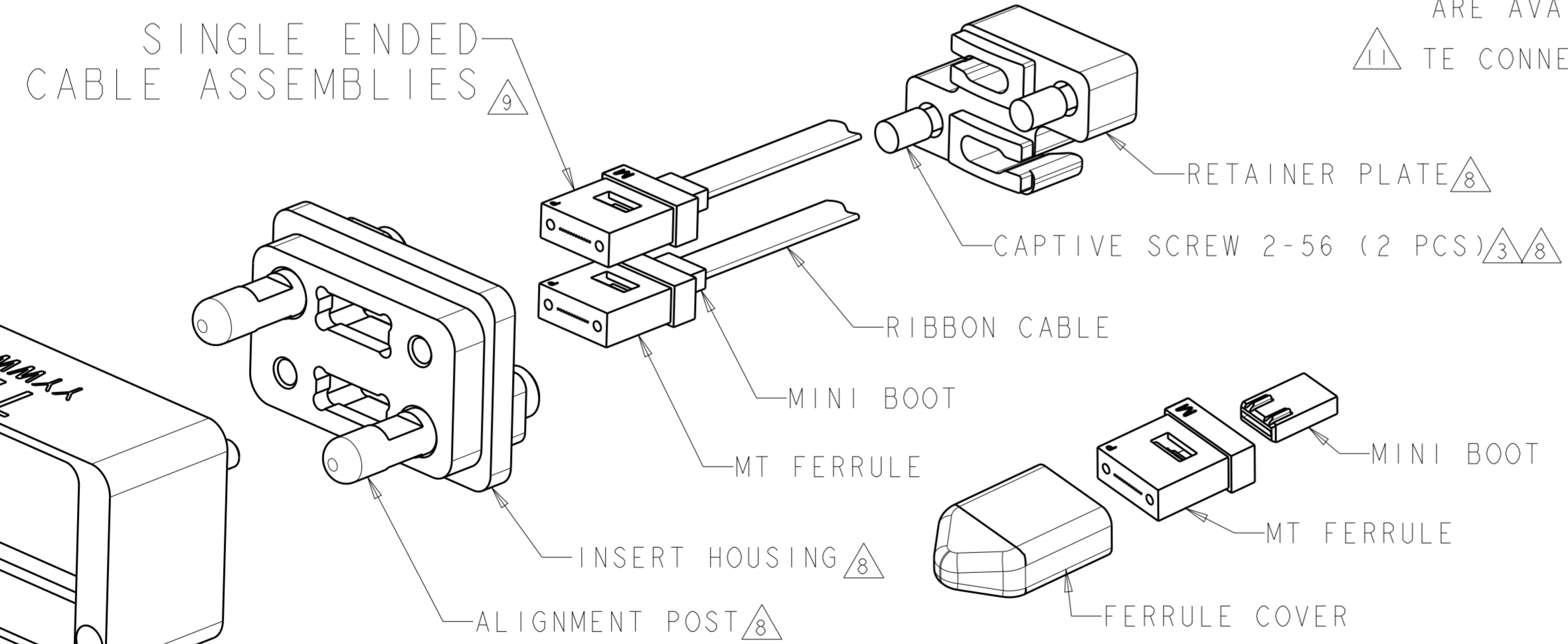
THIS DRAWING IS UNPUBLISHED. RELEASED FOR PUBLICATION 20
 © COPYRIGHT 20 BY - ALL RIGHTS RESERVED.

| LOC | | DIST | | REVISIONS | | | |
|-----|-----|--|-----------|-----------|------|--|--|
| P | LTR | DESCRIPTION | DATE | DWN | APVD | | |
| | 10 | REVISED OVERALL LENGTH | 17DEC2011 | DF | JM | | |
| | 11 | REMOVED PRELIM TAG, ADD PROD-APPL SPEC REF | 27DEC2012 | DF | JM | | |
| | 12 | OBSOLETE 2000973-2 AND -3 | 09APR2013 | DF | JM | | |
| | A | ECO-13-010049 | 17JUN2013 | KG | DW | | |



ASSEMBLED VIEW WITH REFERENCE MT CABLE ASSEMBLIES INSTALLED

- 1 AREA REQUIRED FOR CONNECTOR PLACEMENT.
- 2 2-56 X 3/8 IN. SCREWS WITH A PRE-APPLIED NYLOK PATCH ARE INCLUDED FOR PC-BOARD MOUNTING (NOT SHOWN). IF A PC-BOARD THICKER THAN 5.8mm IS USED LONGER SCREWS ARE REQUIRED.
- 3 RECOMMENDED TORQUE: 0.23-0.34 N-m [2-3 in-lb].
- 4 DATUM A REFERENCE PER ANSI/VITA 46.0-2007, APPENDIX B.
- 5 SHELL, INSERT HOUSING & RETAINER PLATE:
ALUMINUM ALLOY 6061 PER ASTM B209, OR ASTM B221.
ALIGNMENT POST, CAPTIVE SCREWS & BHCS:
STAINLESS STEEL, 300 SERIES.
- 6 SHELL, INSERT HOUSING & RETAINER PLATE:
CLEAR CHROMATE CONVERSION COATING.
ALIGNMENT POST, CAPTIVE SCREWS & BHCS: PASSIVATED.
- 7 DATE CODE: YEAR & WEEK (YYWW).
- 8 THE BACKPLANE CONNECTOR KIT, CONSISTING OF THE SHELL, INSERT HOUSING, ALIGNMENT POSTS, RETAINER PLATE WITH CAPTIVE SCREWS, AND 2-56 SCREWS, IS SHIPPED UNASSEMBLED.
- 9 SINGLE-ENDED FIBER-OPTIC (PIGTAIL) CABLE ASSEMBLIES ARE AVAILABLE SEPARATELY, 1938401-1.
- 10 UNASSEMBLED FIBER-OPTIC COMPONENT KITS ARE AVAILABLE SEPARATELY, 2102866-1.
- 11 TE CONNECTIVITY PRODUCT IDENTIFIER.



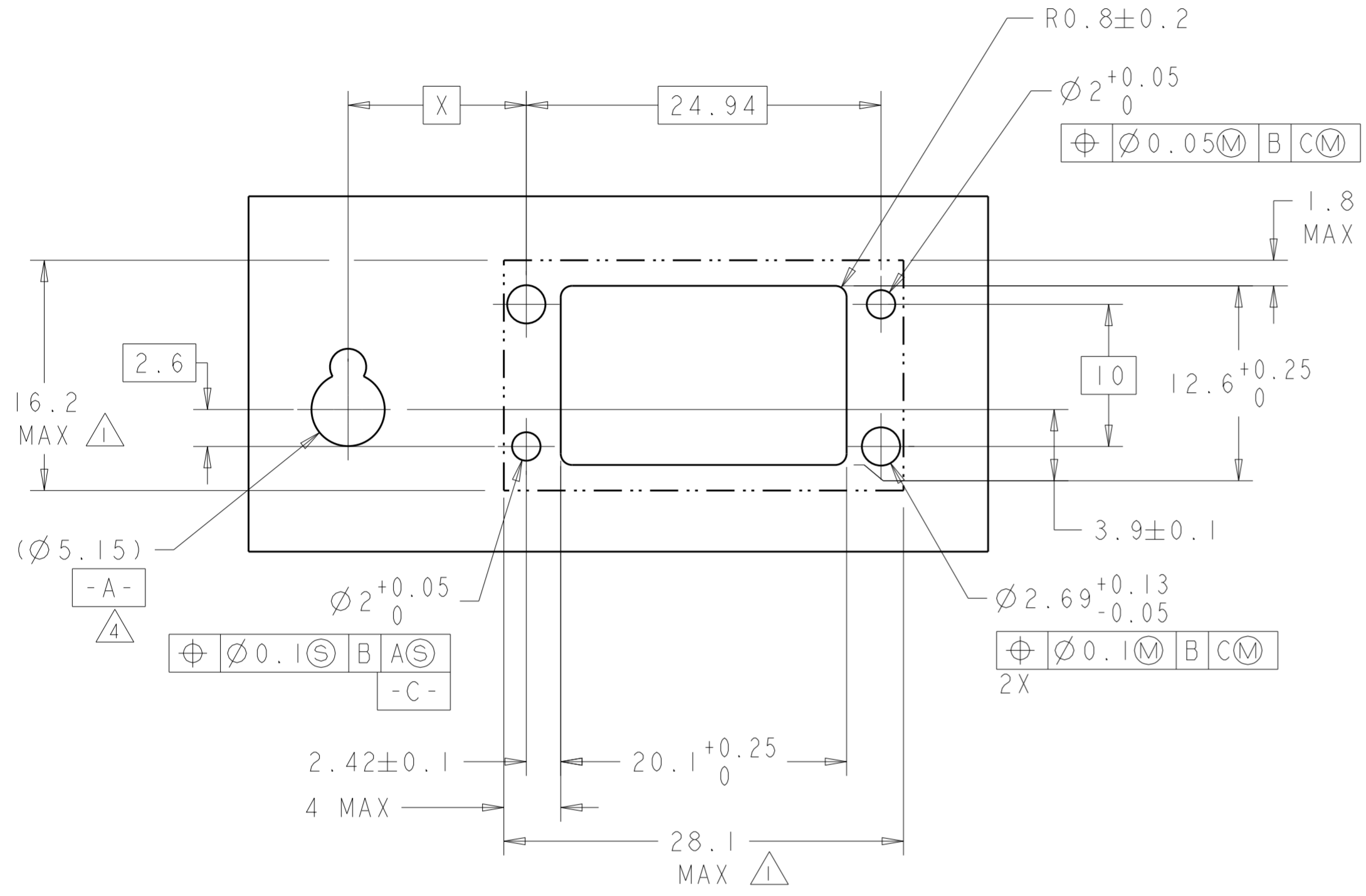
EXPLODED VIEW

| | |
|----------------------------|-------------|
| RECEPTACLE (BACKPLANE) KIT | 2000973-1 |
| COMMENT | PART NUMBER |

| | | | |
|--|-----|---|--|
| THIS DRAWING IS A CONTROLLED DOCUMENT. DIMENSIONING AND TOLERANCING PER ASME Y14.5M-2009 | | DWN R FLAIG 02JUN2009 | TE Connectivity |
| DIMENSIONS: mm | | CHK J MOSIER 02JUN2009 | |
| TOLERANCES UNLESS OTHERWISE SPECIFIED: | | APVD J MOSIER 02JUN2009 | |
| 0 PLC ± 1 PLC ±0.2 2 PLC ±0.10 3 PLC ± 4 PLC ± ANGLES ± FINISH ± | | NAME CONNECTOR KIT, RECEPTACLE, (BACKPLANE) FIBER OPTIC, MT, VITA 66.1-STYLE PRODUCT SPEC 108-2467 APPLICATION SPEC 114-32050 WEIGHT - | |
| MATERIAL | 5 - | 6 - | SIZE A200779 CAGE CODE C-2000973 DRAWING NO RESTRICTED TO SCALE 3:1 SHEET 1 OF 2 REV A |

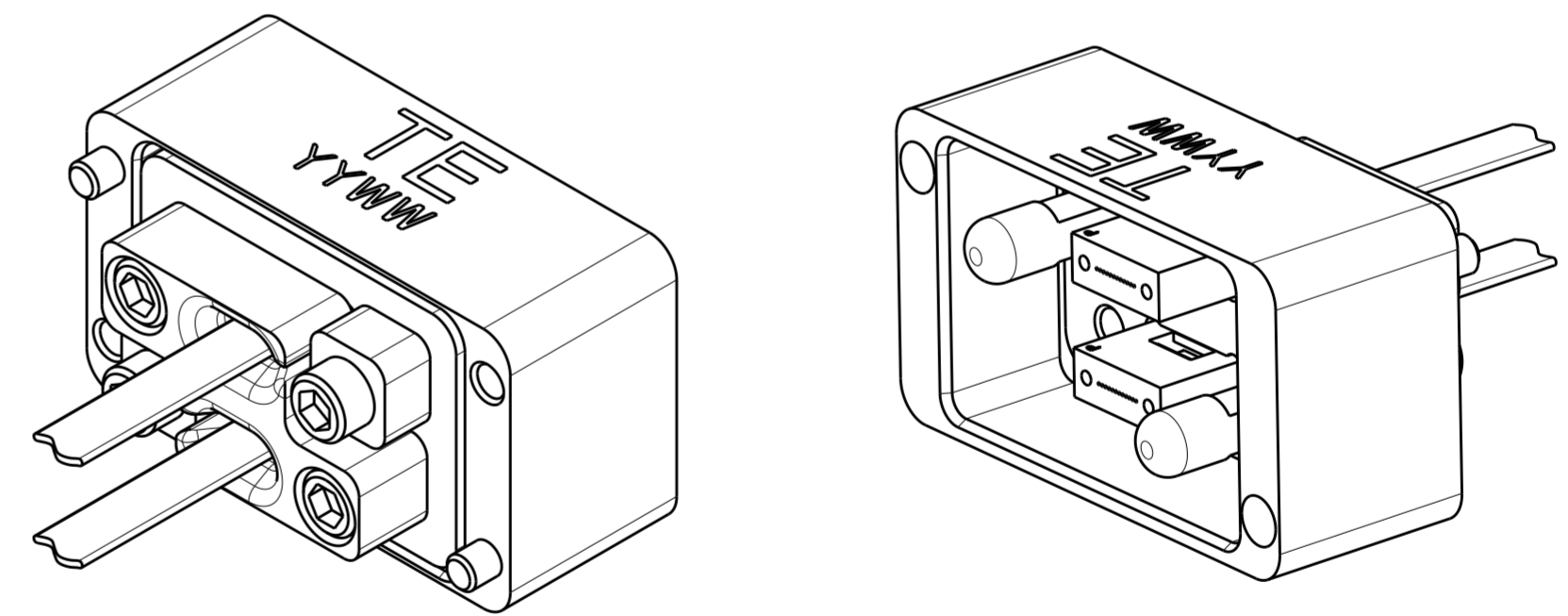
THIS DRAWING IS UNPUBLISHED. RELEASED FOR PUBLICATION 20
 © COPYRIGHT 20 BY - ALL RIGHTS RESERVED.

| LOC | DIST | REVISIONS | | | | | |
|-----|------|-----------|-----|-------------|------|-----|------|
| CE | - | P | LTR | DESCRIPTION | DATE | DWN | APVD |
| | | - | | SEE SHEET 1 | | | |



RECOMMENDED BACKPLANE FOOTPRINT

| POSITION | DIM "X" |
|----------|---------|
| J2 | 53.20 |
| J3 | 96.02 |
| J4 | 124.82 |
| J5 | 153.62 |
| J6 | 182.42 |



ASSEMBLED VIEW, WITH REFERENCE MT CABLE ASSEMBLIES INSTALLED

| | | | |
|--|----------|-------------------------|--|
| THIS DRAWING IS A CONTROLLED DOCUMENT. DIMENSIONING AND TOLERANCING PER ASME Y14.5M-2009 | | DWN R FLAIG 02JUN2009 | TE Connectivity |
| DIMENSIONS: mm | | CHK J MOSLER 02JUN2009 | |
| TOLERANCES UNLESS OTHERWISE SPECIFIED: | | APVD J MOSLER 02JUN2009 | |
| 0 PLC ± | 1 PLC ± | PRODUCT SPEC | NAME CONNECTOR KIT, RECEPTACLE, (BACKPLANE) FIBER OPTIC, MT, VITA 66.1-STYLE |
| 2 PLC ± | 3 PLC ± | APPLICATION SPEC | SIZE CAGE CODE DRAWING NO RESTRICTED TO |
| 4 PLC ± | ANGLES ± | WEIGHT | A200779 C-2000973 |
| MATERIAL | FINISH | Customer Drawing | SCALE 3:1 SHEET 2 OF 2 REV A |