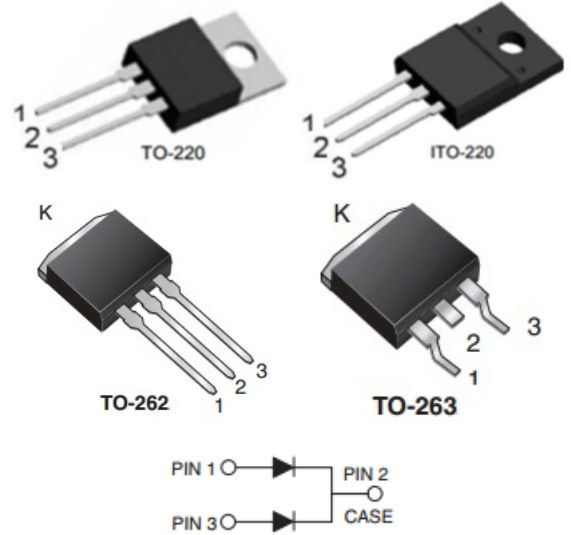


## Features

- Ultra Low Forward Voltage Drop
- Excellent High Temperature Stability
- Patented Super Barrier Rectifier Technology
- Soft, Fast Switching Capability

## Mechanical Data

- Case: TO-220AB, ITO-220AB, TO-262AB, TO-263AB
- Case Material: Molded Plastic, UL Flammability Classification Rating 94V-0
- Terminals: Matte Tin Finish annealed over Copper leadframe. Solderable per MIL-STD-202, Method 208



## Ordering Information

Part No.	Package	Packing
SBP10L45CT	TO-220AB	50pcs / Tube
SBP10L45FCT	ITO-220AB	50pcs / Tube
SBP10L45CK	TO-262AB	50pcs / Tube
SBP10L45CG	TO-263AB	50pcs / Tube
SBP10L45CG	TO-263AB	800pcs / Reel

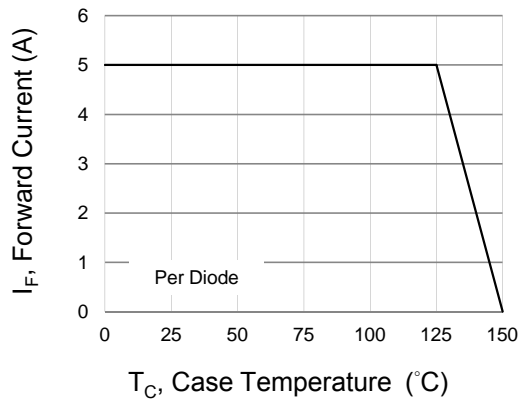
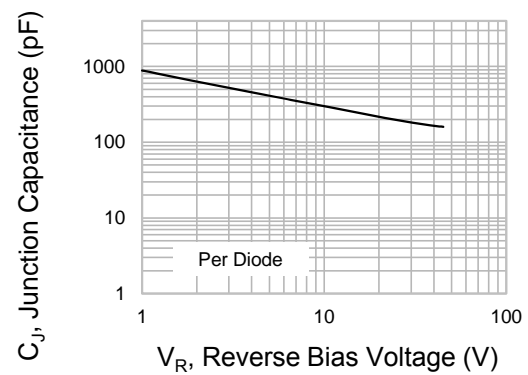
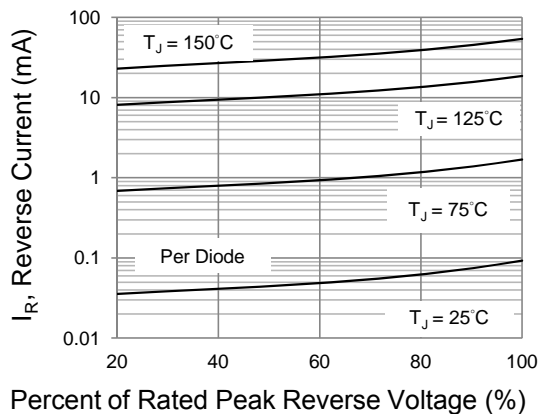
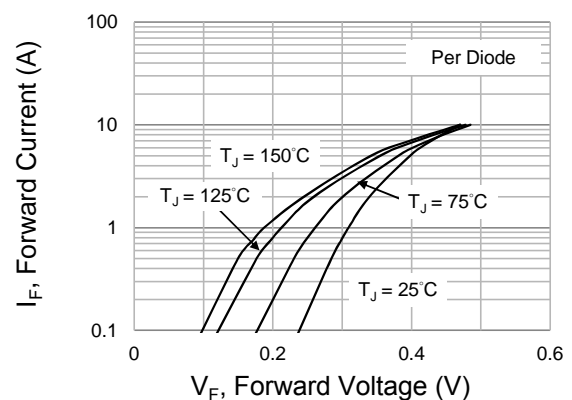
## MAXIMUM RATINGS( $T_A=25^{\circ}\text{C}$ unless otherwise noted)

PARAMETER	SYMBOL	VALUE	UNIT
Maximum repetitive peak reverse voltage	$V_{RRM}$	45	V
Maximum rms voltage	$V_{RMS}$	31.5	V
Maximum average forward rectified current	$I_{F(AV)}$	10 5	A
Peak forward surge current 8.3ms single half sine-wave superimposed on rated load	$I_{FSM}$	120	A
Typical junction capacitance ( $V_R=4\text{V}$ , $f=1\text{MHz}$ )	$C_J$	500	pF
Typical thermal resistance per diode	$R_{\theta JC}$	15	$^{\circ}\text{C/W}$
Operating junction temperature range	$T_J$	-55 to + 150	$^{\circ}\text{C}$
Storage temperature range	$T_{STG}$	-55 to + 150	$^{\circ}\text{C}$

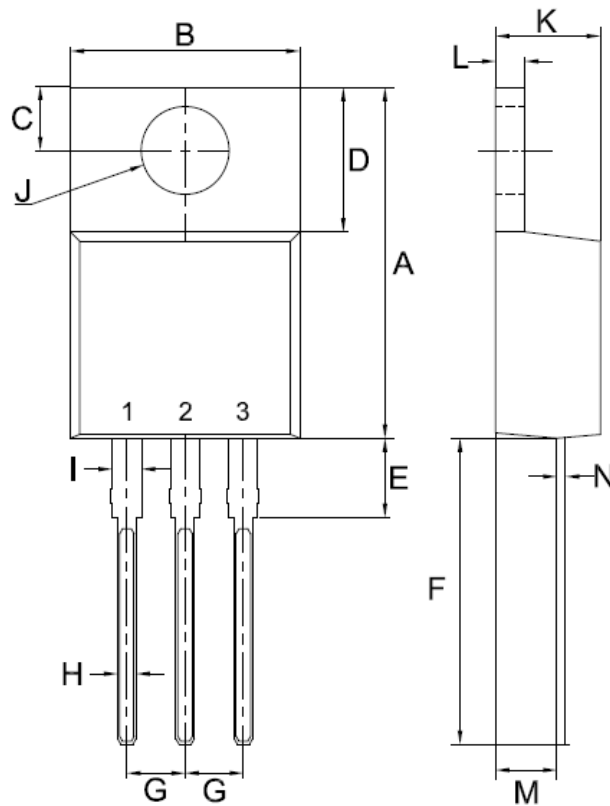
Note : 1. Mounted on infinite heatsink.

**ELECTRICAL CHARACTERISTICS (T<sub>A</sub>=25°C unless otherwise noted)**

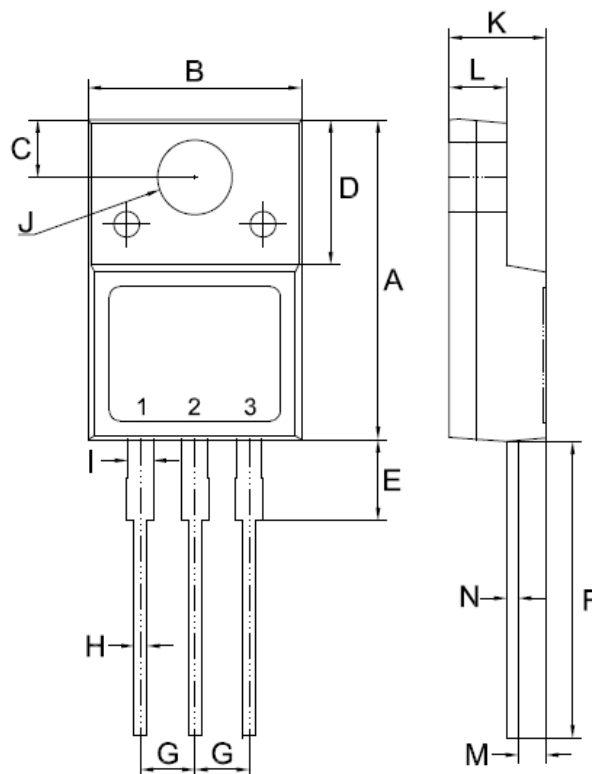
PARAMETER	SYMBOL	TEST CONDITIONS	MIN.	TYP.	MAX.	UNIT
Breakdown voltage per diode	V <sub>BR</sub>	I <sub>R</sub> =0.5mA	45	-	-	V
Instantaneous forward voltage per diode	V <sub>F</sub>	I <sub>F</sub> =1A T <sub>J</sub> =25°C	-	0.32	-	V
		I <sub>F</sub> =5A T <sub>J</sub> =25°C	-	0.43	0.50	V
Reverse current per diode	I <sub>R</sub>	V <sub>R</sub> =36V T <sub>J</sub> =25°C	-	100	-	μA
		V <sub>R</sub> =45V T <sub>J</sub> =125°C	-	20	250	μA mA

**RATING AND CHARACTERISTIC CURVES**

**Fig.1 Forward Current Derating Curve**

**Fig.2 Typical Junction Capacitance**

**Fig.3 Typical Reverse Characteristics**

**Fig.4 Typical Forward Characteristics**

Package Outline Dimensions

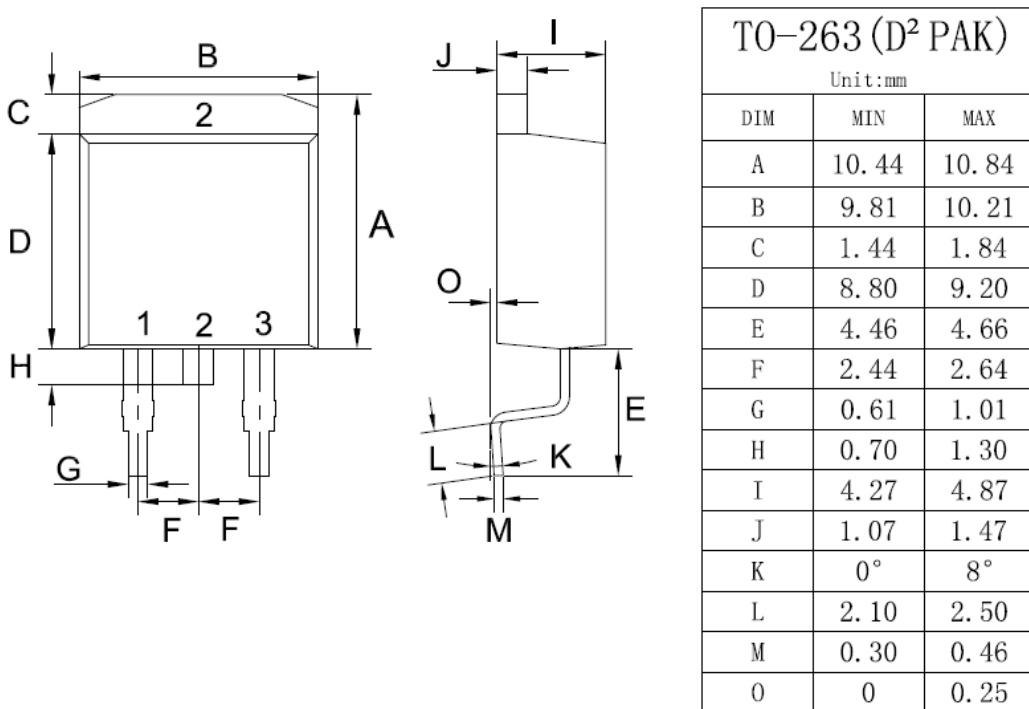
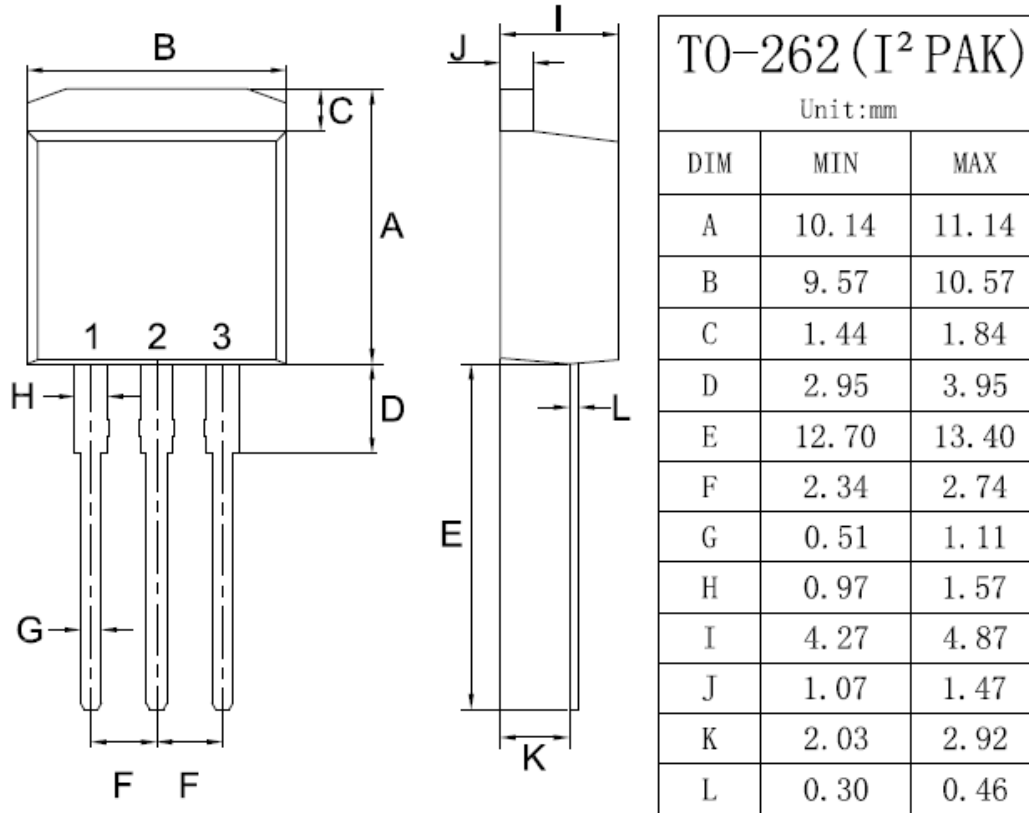


TO-220AB		
Unit:mm		
DIM	MIN	MAX
A	14.80	15.80
B	9.57	10.57
C	2.54	2.94
D	5.80	6.80
E	2.95	3.95
F	12.70	13.40
G	2.34	2.74
H	0.51	1.11
I	0.97	1.57
J	3.54 $\phi$	4.14 $\phi$
K	4.27	4.87
L	1.07	1.47
M	2.03	2.92
N	0.30	0.64



ITO-220AB		
Unit:mm		
DIM	MIN	MAX
A	14.50	15.50
B	9.50	10.50
C	2.50	2.90
D	6.30	7.30
E	3.30	4.30
F	13.00	14.00
G	2.35	2.75
H	0.30	0.90
I	0.90	1.50
J	3.20	3.80
K	4.24	4.84
L	2.52	2.92
M	1.09	1.49
N	0.47	0.64

Package Outline Dimensions



## Important Notice and Disclaimer

- Reproducing and modifying information of the document is prohibited without permission from DIYI.
- DIYI reserves the right to make changes to this document and its products and specifications at any time without notice. Customers should obtain and confirm the latest product information and specifications before final design, purchase or use.
- DIYI disclaims any and all liability arising out of the application or use of any product including damages incidentally and consequentially occurred.
- DIYI does not assume any and all implied warranties, including warranties of fitness for particular purpose, non-infringement and merchantability.
- Applications shown on the herein document are examples of standard use and operation. Customers are responsible in comprehending the suitable use in particular applications.  
DIYI makes no representation or warranty that such applications will be suitable for the specified use without further testing or modification.
- The products shown herein are not designed and authorized for equipments requiring high level of reliability or relating to human life and for any applications concerning life-saving or life-sustaining, such as medical instruments, transportation equipment, aerospace machinery et cetera. Customers using or selling these products for use in such applications do so at their own risk and agree to fully indemnify DIYI for any damages resulting from such improper use or sale.
- Since DIYI uses lot number as the tracking base, please provide the lot number for tracking when complaining.