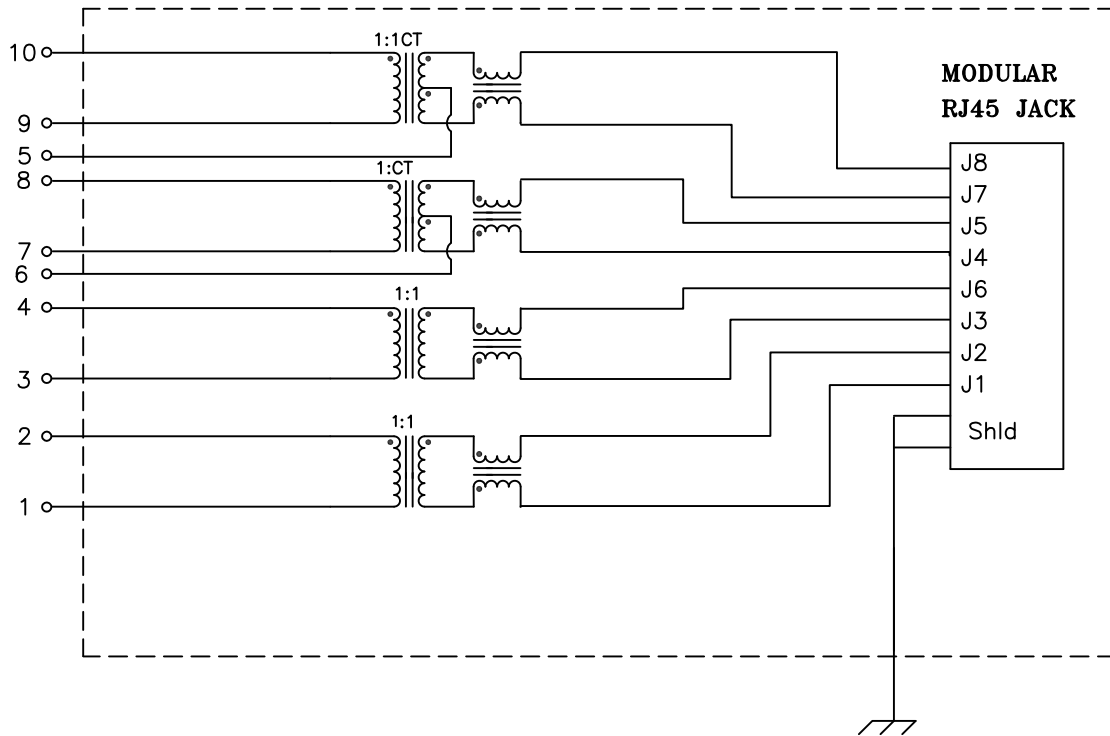


Schematic:



Electrical Specifications: @25°C

ISOLATION: 1500 Vrms
 TURNS RATIO: (PRI/SEC) 1CT:1CT ±2%; 1:1±2%
 OCL: 350uH MIN @100KHz 100mV 8mADC
 Rise Time: 1.75ns Max.
 INSERTION LOSS: -1.0dB MAX @1MHz-100MHz
 -1.5dB Typ @100-125MHz
 RETURN LOSS: -18dB Typ @1-30MHz
 -15dB Typ @40MHz -13.1dB Typ @50MHz
 -12dB Typ @60-80MHz -10dB Min @100MHz
 Differential to Common Mode Rejection:
 -43dB Min @30MHz -37dB Min @80MHz
 -33dB Min @100MHz
 CMRR: -30dB Min @1-100MHz
 Crosstalk: -45dB Min @30MHz
 -40dB Min @60MHz -35dB Min @100MHz
 Rated Current: 350mA
 Q: 10 Min @100KHz 100mV

Notes:

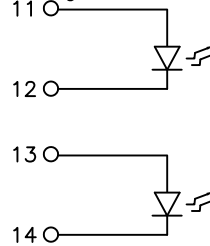
- Solderability: Leads shall meet MIL-STD-202G, Method 208H for solderability.
- Flammability: UL94V-0
- ASTM oxygen index: > 28%
- UL Recognized Component: File Number E165866
- Operating Temperature Range: All listed parameters are to be within tolerance from -40°C to +85°C
- Storage Temperature Range: -55°C to +125°C
- Aqueous wash compatible
- Electrical and mechanical specifications 100% tested
- RoHS Compliant Component

DOC. REV: A/3

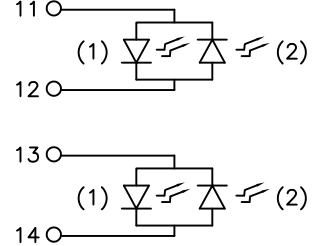
RIGHT LED

LEFT LED

Single Color LED:



Bi-Color LED:



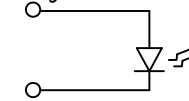
LED SCHEMATIC

Complete the Combo P/N as follows:

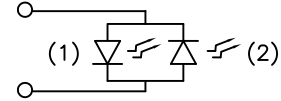
Replace 'x' & 'u' in the part number with one of the LED color letters:
 Y=Yellow
 G=Green
 A=Amber
 R=Red
 C=Green(1)/Amber(2) Bicolor
 D=Amber(1)/Green(2) Bicolor
 M=Green(1)/Yellow(2) Bicolor
 N=Yellow(1)/Green(2) Bicolor
 P=Red(1)/Green(2) Bicolor
 Q=Green(1)/Red(2) Bicolor
 E=Red(1)/Yellow(2) Bicolor
 F=Yellow(1)/Red(2) Bicolor
 H=Amber(1)/Yellow(2) Bicolor
 J=Green(1)/Green(2) Bicolor

'x' = Left LED Color
 'u' = Right LED Color

Single Color LED:



Bi-Color LED:



XFMRs Inc.
 www.XFMRs.com

Title: 2x4 Stacked COMBO
 For Gigabit PoE

UNLESS OTHERWISE SPECIFIED

P/N: XFGIB100APOL-STKVDxu8-4

REV. A

TOLERANCES:

.xxx ±0.010

Dimensions in Inch

DWN.

Yuan

May-30-13

CHK.

YK Liao

May-30-13

SHEET 1 OF 2

APP.

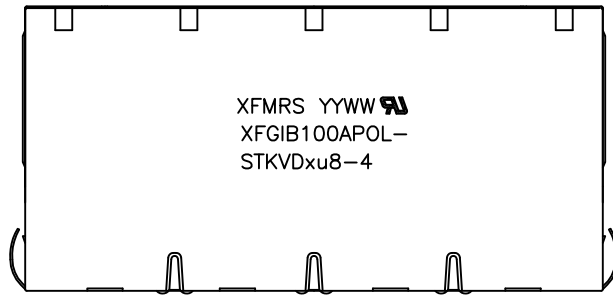
BSJ

May-30-13

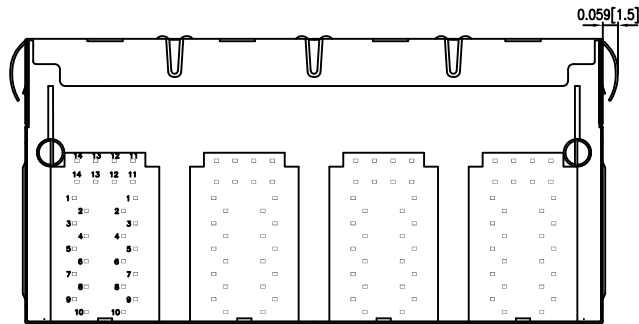
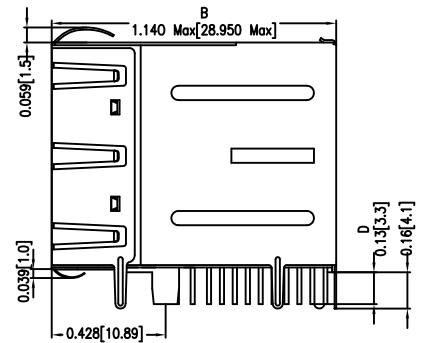
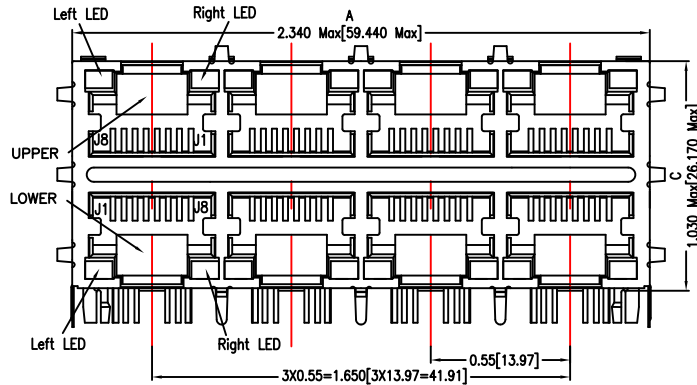
PROPRIETARY:

Document is the property of XFMRs Group & is not allowed to be duplicated without authorization.

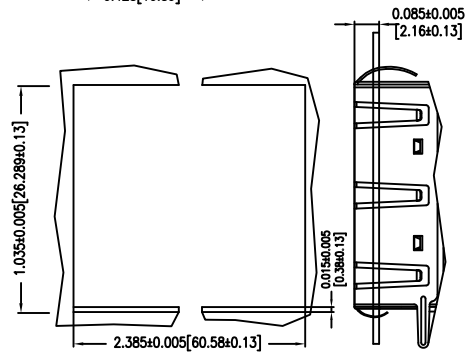
Mechanical Dimensions:



Top view

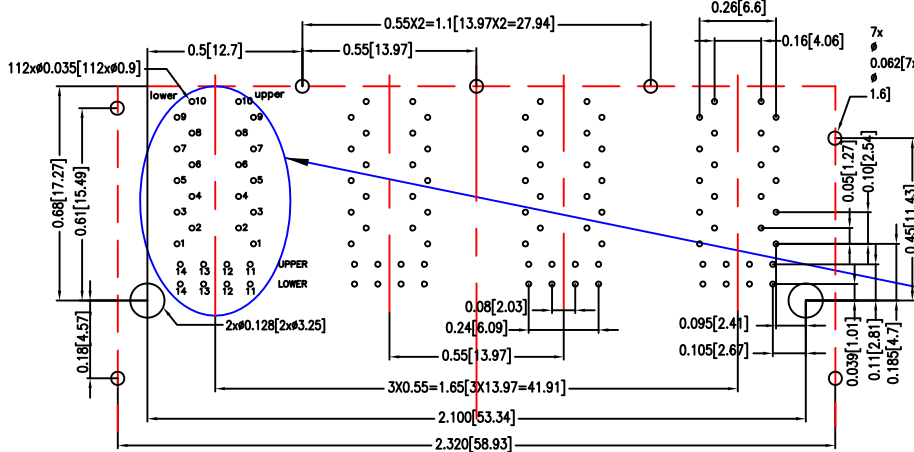


Bottom view



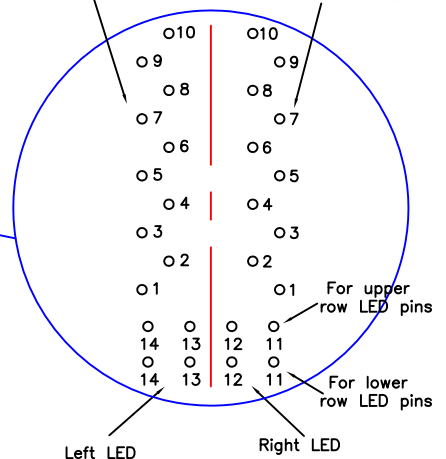
RECOMMENDED PANEL CUT OUT

TO TOP OF PCB



P.C.B RECOMMENDED HOLE LAYOUT SEEN FROM COMPONENT SIDE

For lower row data pins For upper row data pins



Pin-out Assignment

DOC. REV: A/3

PROPRIETARY:

Document is the property of XFMRS Group & is not allowed to be duplicated without authorization.

XFMRS Inc.
www.XFMRS.com

Title: Mechanical Dimensions For 2x4 Stacked COMBO with Vertical Dual lines Pins

UNLESS OTHERWISE SPECIFIED

P/N: XFGIB100APOL-STKVDxu8-4

REV. A

TOLERANCES:

.xxx ±0.010 [±0.25]

Dimensions in Inch [mm]

DWN.

Yuan

May-30-13

CHK.

YK Liao

May-30-13

SHEET 2 OF 2

APP.

BSJ

May-30-13